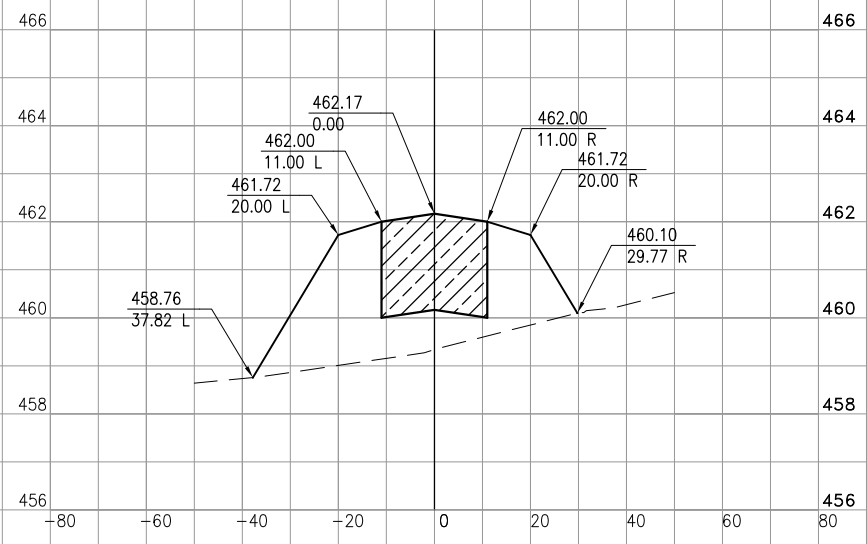
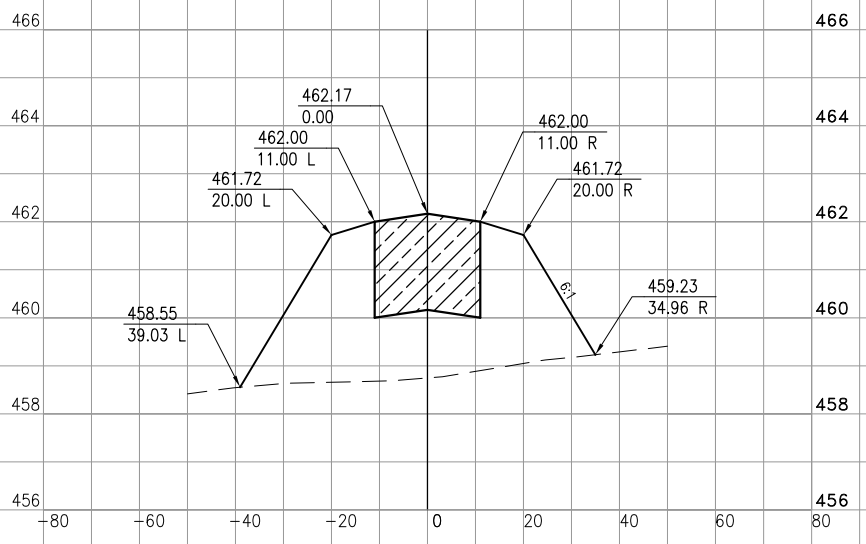


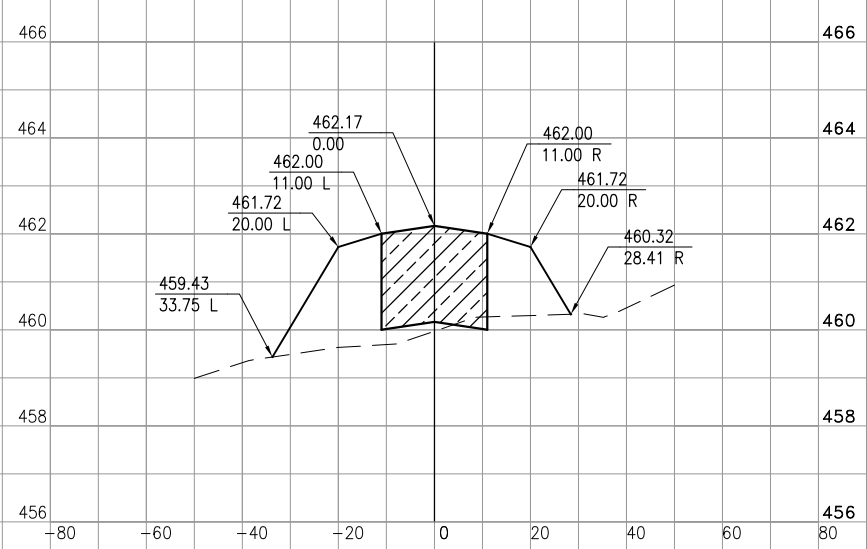
STA. 104+50



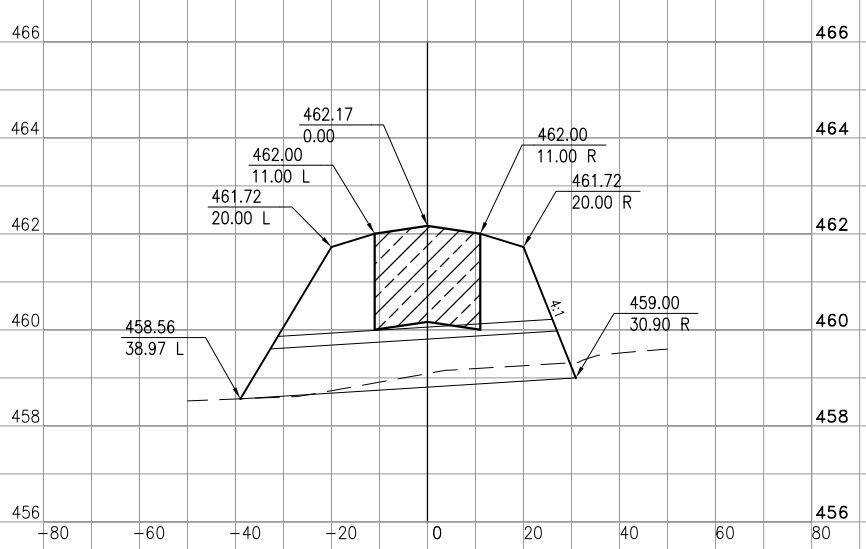
STA. 106+00



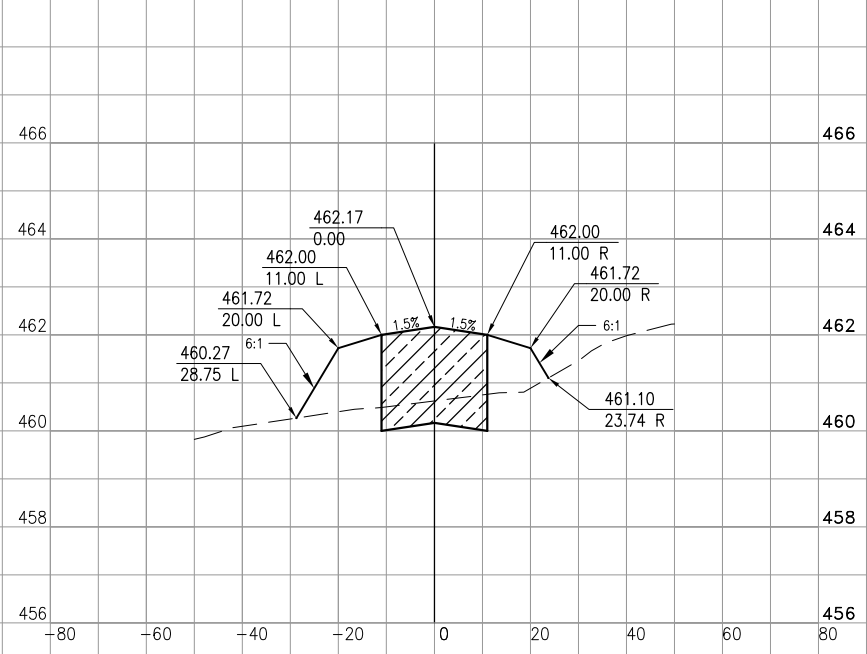
STA. 104+00



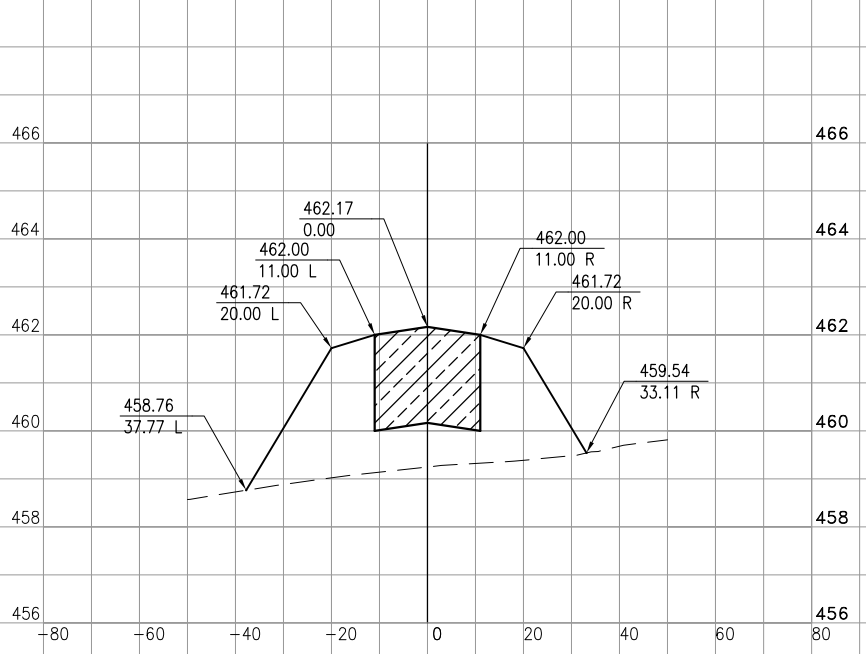
STA. 105+50



STA. 103+50



STA. 105+00



FOR ADDITIONAL GRADING INFORMATION, SEE GRADING PLAN (TYP.)

FEB 20, 2013 2:20 PM HAUSM00682

REVISION

DATE

MT. VERNON AIRPORT



MT. VERNON, ILLINOIS

SBG PROJ.: 3-17-0074-B27

IL PROJ.: MW-4197

Hanson Project No. 12A0044D

Filename 15-C-304-HAUL04.DWG

Scale H=1:20; V=1:2

Date 3/1/13

LAYOUT

LDH

LDH

BSS

12/14/12

12/14/12

2/21/13



© Copyright Hanson Professional Services Inc. 2013  
Hanson Professional Services Inc.  
1525 South Rock Street  
Springfield, Illinois 62703-2886

CONSTRUCT APRON AND TAXIWAY IN SOUTH FRONTAL AREA

HAUL ROAD CROSS SECTIONS