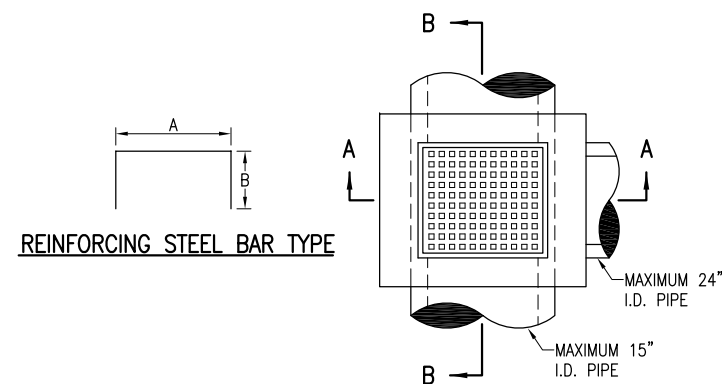


NOTES

1. UNSUITABLE MATERIAL ENCOUNTERED DURING PLACEMENT OF BEDDING SHALL BE REMOVED AND REPLACED.
2. WITHIN 3 FEET OF FUTURE PAVED AREA, GRANULAR BACKFILL IS TO BE USED INSTEAD OF EARTH BACKFILL.
3. AT CONTRACTOR'S OPTION IDOT CONTROLLED LOW STRENGTH MATERIAL WITH A HIGH EARLY STRENGTH, "FLASH FILL", MAY BE USED INSTEAD OF GRANULAR TRENCH BACKFILL UNDER PAVEMENTS.

PIPE TRENCH



| REINFORCING BARS SCHEDULE | | | | | |
|---------------------------|--------------------|------------|-------|------|------------------------------|
| TYPE | QUANTITY PER INLET | DIMENSIONS | | SIZE | APPROX. WT. OF BARS IN INLET |
| | | A | B | | |
| A | 2 | 3'-4" | 2'-4" | #5 | 16.7 |

INLET NOTES

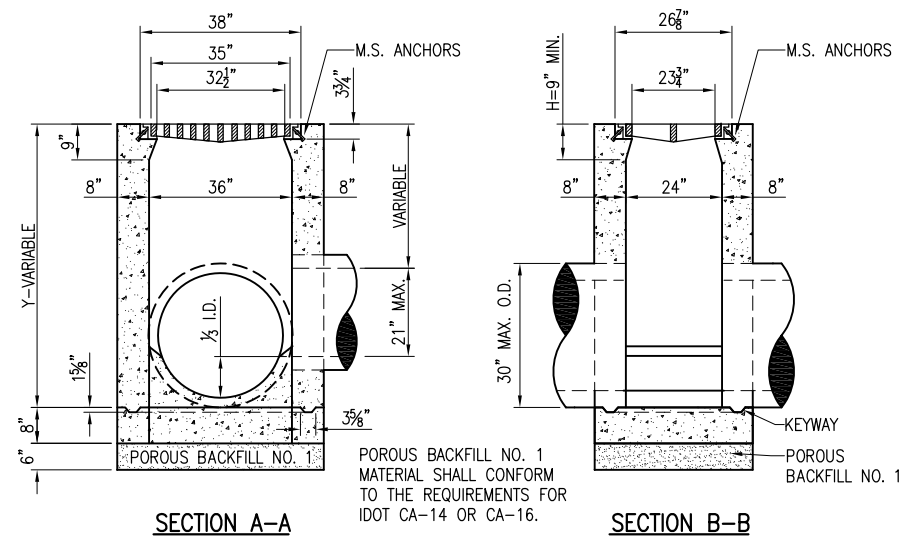
INLET TO BE CONSTRUCTED OF STRUCTURAL P.C. CONCRETE. THE CONTRACT UNIT PRICE PER INLET SHALL INCLUDE THE FRAME, GRATE AND STEPS IN PLACE AND COMPLETE PER UNIT.

1/2" CHAMFER TO BE USED ON ALL EXPOSED CORNERS OF INLETS. BARS TO BE INSTALLED 2" FROM FACE OF WALLS.

THE FRAME AND GRATE SHALL BE NEENAH R-3475-A, DEETER 2425-E.

"H" SHALL BE EQUAL TO THE PROPOSED PAVEMENT THICKNESS AND NOT LESS THAN THE ATTACHED MINIMUMS. TYPE A _____ 9" MINIMUM.

INLET STEPS SHALL BE NEENAH R-1980-1. 12" TO 15" C.C. STEPS TO BE INSTALLED WHEN Y IS GREATER THAN 5' COST. THE COST OF THE STEPS SHALL BE INCLUDED IN THE CONTRACT UNIT PRICE FOR EACH INLET.



DETAILS SHOWN ARE NOT TO SCALE

| | | | | | |
|---|---------------------|----------|---------------------------------|----------|------|
| REVISION | DATE | DATE | DATE | DATE | DATE |
| | | | | | |
| | | | | | |
| MT. VERNON, ILLINOIS | | | | | |
| IL PROJ.: MN-4197 SBG PROJ.: 3-17-0074-B27 | | | | | |
| Hanson Project No. | 12A0044D | LAYOUT | LDH | 12/14/12 | |
| Filename | 22-C-802-DRNDET.DWG | DRAWN | LDH | 12/14/12 | |
| Scale | N/A | REVIEWED | BSS | 2/21/13 | |
| Date | 3/1/13 | | | | |
| | | | | | |
| © Copyright Hanson Professional Services Inc. 2013 Hanson Professional Services Inc. 1525 South Main Street Springfield, Illinois 62703-2886 | | | | | |
| CONSTRUCT APRON AND TAXIWAY IN SOUTH FRONTAL AREA | | | UNDERDRAIN AND DRAINAGE DETAILS | | |
| 22 | | | | | |
| 22 of 32 sheets | | | | | |