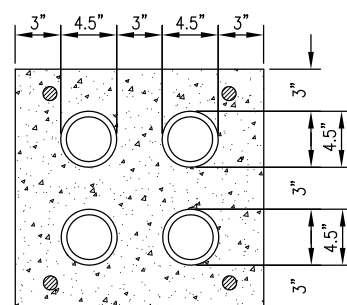


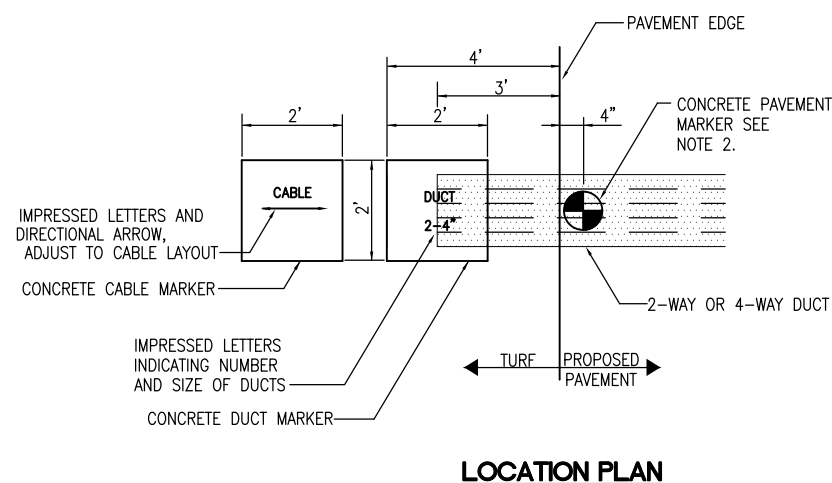
DUCT BANK TYPICAL SECTION
(NOT TO SCALE)



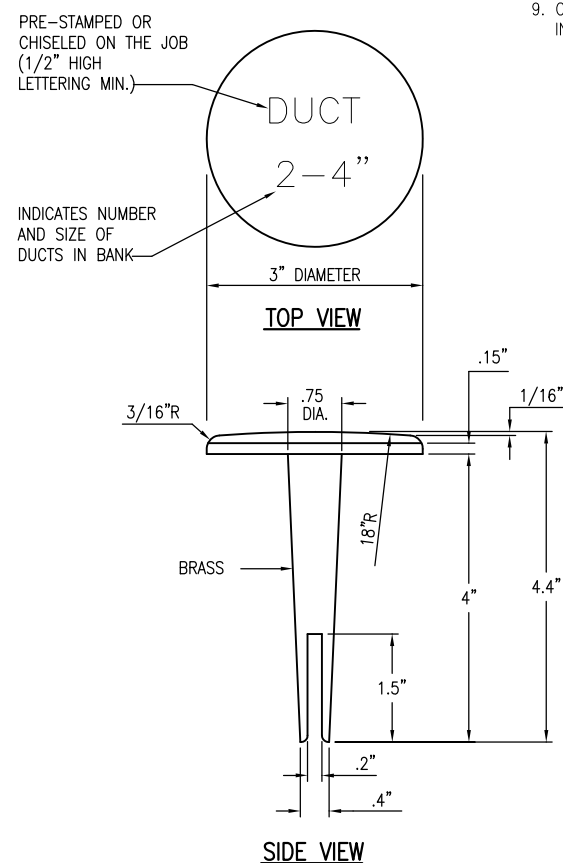
4-DUCT BANK
(NOT TO SCALE)

DUCT BANK NOTES:

1. DIMENSIONS FOR CONCRETE COVERAGE AND SEPARATION BETWEEN DUCTS ARE MINIMUM.
2. INCLUDE DUCT SPACERS AS MANUFACTURED BY UNDERGROUND DEVICES INC., OR APPROVED EQUAL TO MAINTAIN PROPER SEPARATION OF CONDUITS.
3. REBAR IS REQUIRED TO ACCOMMODATE FUTURE DUCT EXTENSIONS & INTERFACE AT DUCT BANK TERMINATIONS. CONCRETE ENCASED DUCT BANKS TERMINATING IN HANDHOLES REQUIRE REBAR AT TERMINATIONS.
4. CONDUITS FOR CONCRETE ENCASED DUCT SHALL BE SCHEDULE 40 PVC CONFORMING TO ITEM 110.
5. MINIMUM DEPTH OF TOP OF DUCT ENCASEMENT SHALL BE 18" BELOW FINISHED GRADE.
6. HIGH VOLTAGE AND LOW VOLTAGE CIRCUITS SHALL NOT BE INSTALLED IN THE SAME RACEWAY, CONDUIT, DUCT, HANDHOLE, OR MANHOLE.
7. HOMERUN CABLES FOR A RESPECTIVE CIRCUIT SHALL BE INSTALLED IN THE SAME RACEWAY OR DUCT.
8. DUCT INTERFACE TO HANDHOLES OR MANHOLES WILL BE CONSIDERED INCIDENTAL TO THE RESPECTIVE DUCT PAY ITEM.
9. CONCRETE ENCASED DUCTS AND/OR DIRECT BURY DUCTS SHALL MAINTAIN 3 INCH MINIMUM SEPARATION BETWEEN DUCTS.



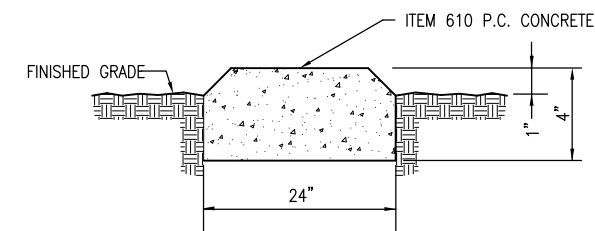
LOCATION PLAN



BITUMINOUS PAVEMENT MARKER

NOTES:

1. TOP OF MARKER SHALL BE FLUSH WITH FINISHED PAVEMENT SURFACE. MARKER MAY BE INSTALLED IN A DRILLED HOLE AND SECURED WITH EPOXY GLUE.
2. BRASS DUCT MARKERS ARE AVAILABLE FROM G&S FOUNDRY AND MANUFACTURING CO. INC., 210 KASKASKIA DRIVE, RED BUD, IL 62278, PHONE: 618-282-4114, OR APPROVED EQUAL.



CONCRETE MARKER

NOTES:

1. THE COSTS OF ALL TURF AND PAVEMENT DUCT MARKERS SHALL BE INCIDENTAL TO THE DUCT. THE COST OF ALL CABLE MARKERS SHALL BE INCIDENTAL TO THE CABLE.
2. BITUMINOUS PAVEMENT DUCT MARKER AND CONCRETE DUCT MARKER TO BE PROVIDED AT EACH END OF EACH DUCT AS SHOWN ON THE LOCATION PLAN. FOR CONCRETE PAVEMENT, THE LETTER "D" SHALL BE IMPRESSED IN THE PAVEMENT INSTEAD OF THE MARKER. THE LETTER SHALL BE FORMED AS DESCRIBED IN NOTE 4.
3. CABLE MARKERS SHALL BE PLACED AT CHANGES OF DIRECTION AND EVERY 200' ALONG CABLE RUNS.
4. LETTERS 4" HIGH, 3" WIDE WITH WIDTH OF STROKE 1/2" AND 1/4" DEEP. ALL LETTERS, NUMBERS AND ARROWS TO BE IMPRESSED.

TURF AND PAVEMENT DUCT AND CABLE MARKERS

REVISION	DATE

MT. VERNON AIRPORT

 MT. VERNON, ILLINOIS

IL. PROJ.: MW-4197 SBG PROJ.: 3-17-0074-B27

Hanson Project No.	12A0044D
Filename	28-E-501-ELEC.DWG
Scale	N/A
Date	3/1/13
LAYOUT	LDH 12/18/12
DRAWN	LDH 12/18/12
REVIEWED	BSS 2/21/13

HANSON
 Hanson Professional Services Inc.
 1525 South Main Street
 Springfield, Illinois 62703-2886

CONSTRUCT APRON AND TAXIWAY IN SOUTH FRONTAL AREA

ELECTRICAL DETAILS