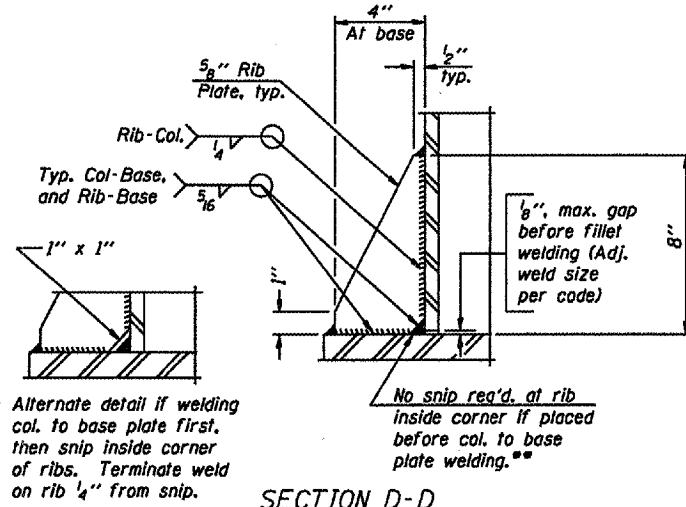
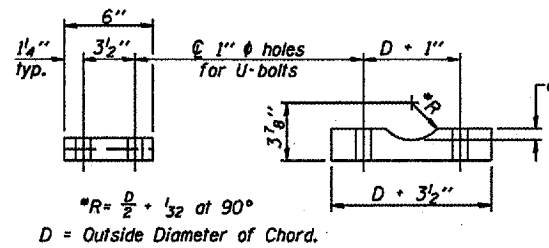


SECTION B-B



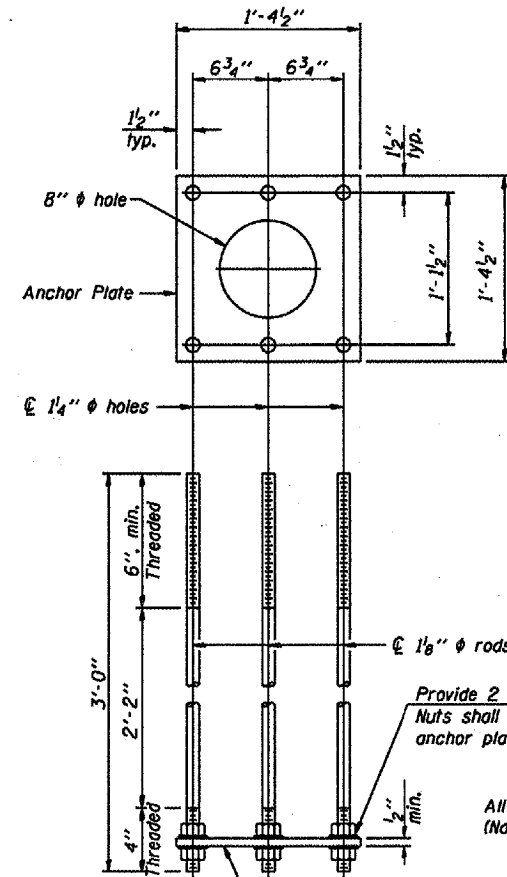
SECTION D-D



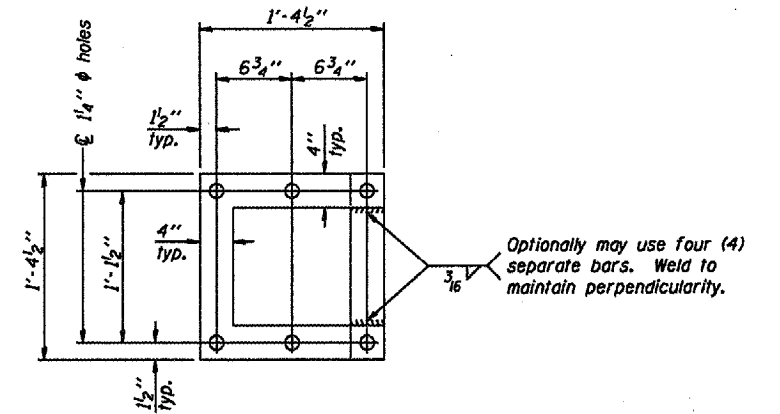
SADDLE SHIM DETAIL

ASTM B26 Alloy 356-F
or
ASTM B209 Alloy 6061-T651
(4 required per sign truss)

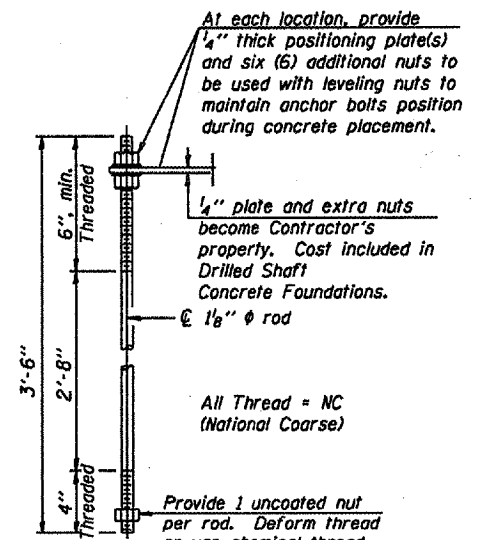
Truss Chord Nominal Dia.	ϕ
5"	3/4"
5 1/2"	13/16"
6"	7/8"
6 1/2"	5/8"



ANCHOR ROD DETAIL
Spread Footing Foundation

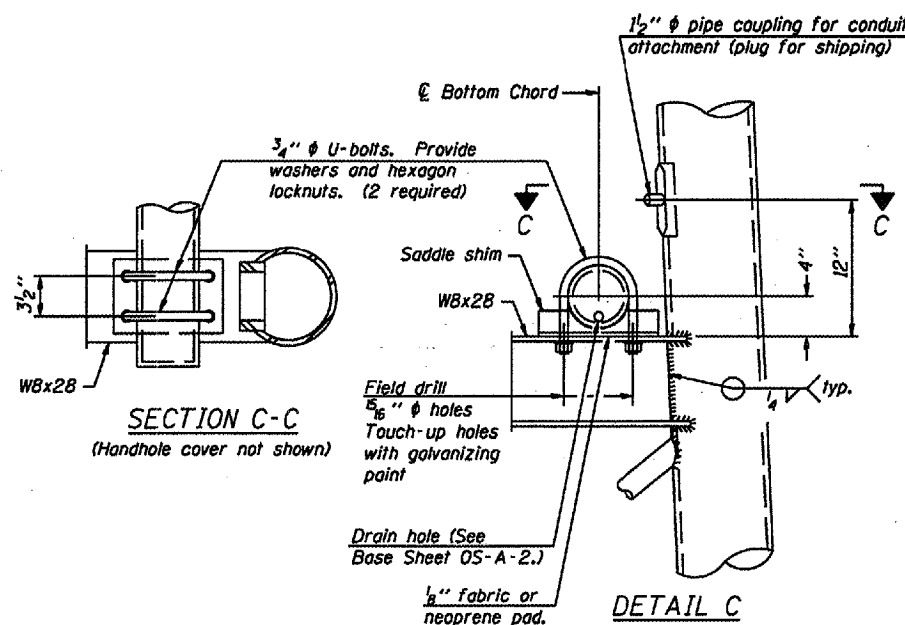


POSITIONING PLATE(S)



ANCHOR ROD DETAIL
Drilled Shaft Foundation

Anchor rods shall conform to AASHTO M314 Grade 36 or 55 and meet Charpy V-Notch (CVN) energy of 15 lb.-ft. at 40° F. Galvanize upper 12" per AASHTO M232. No welding shall be permitted on rods.



SECTION C-C
(Handhole cover not shown)

DETAIL C

TYPE I-A TRUSS
8" PIPE SUPPORT FRAME DETAILS

OVERHEAD SIGN STRUCTURES
SUPPORT FRAME DETAILS ALUMINUM TRUSS

District 5
Overhead Sign
Structure Replacement

NUMBER	REVISION	DATE

DESIGNED -	20
CHECKED -	EXAMINED
DRAWN -	PASSED
CHECKED -	ENGINEER OF BRIDGES AND STRUCTURES