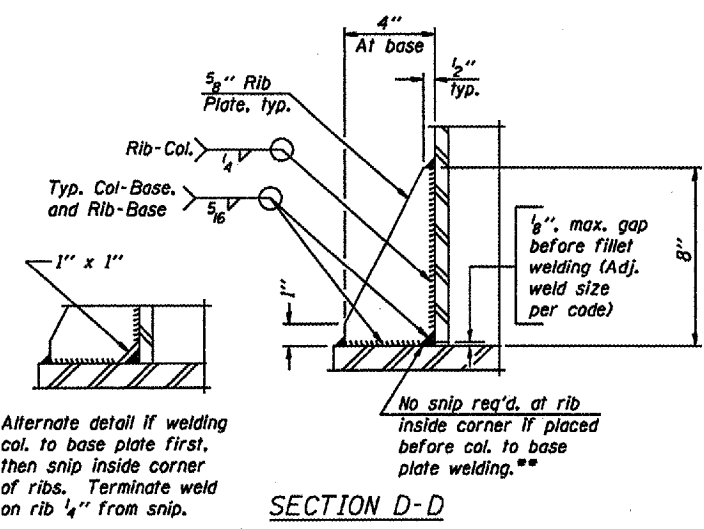
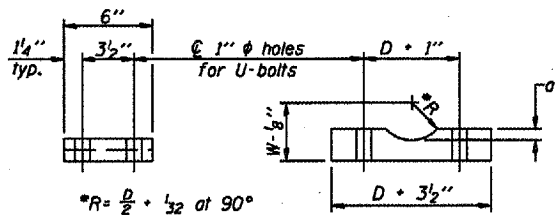


SECTION B-B



SECTION D-D

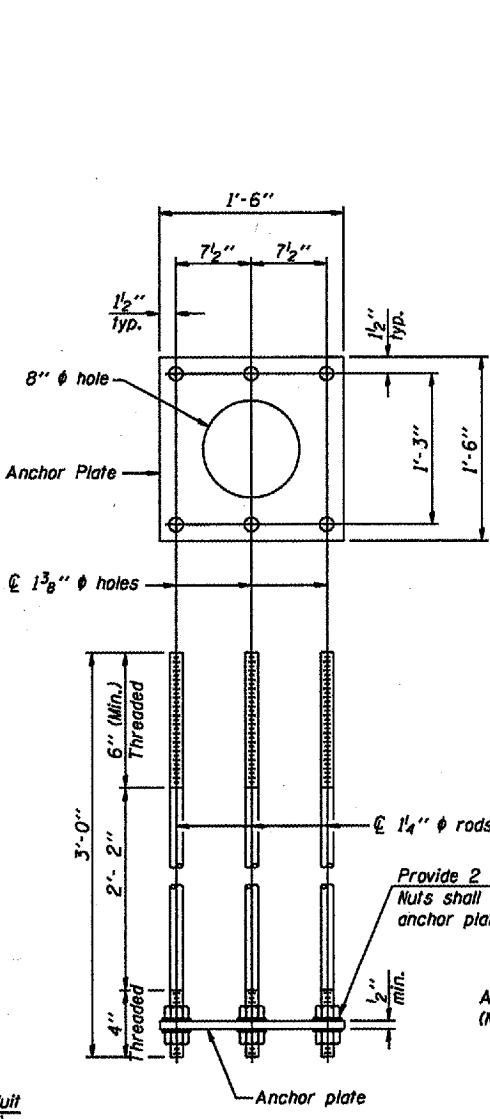
\*\* Alternate detail if welding col. to base plate first, then snip inside corner of ribs. Terminate weld on rib 1/4" from snip.



D = Outside Diameter of Chord.  
For W, see Base Sheet OS-A-6.

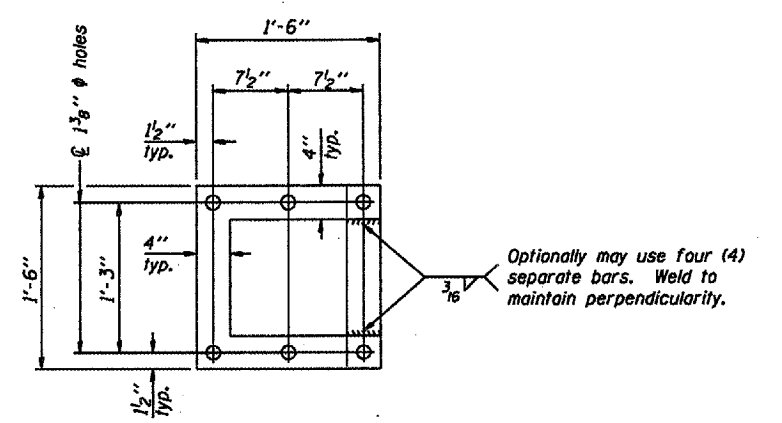
**SADDLE SHIM DETAIL**  
ASTM B26 Alloy 356-F  
or  
ASTM B209 Alloy 6061-T651  
(4 required per sign truss)

| Truss Chord Nominal Dia. | a      |
|--------------------------|--------|
| 5"                       | 3/4"   |
| 5 1/2"                   | 13/16" |
| 6"                       | 7/8"   |
| 6 1/2"                   | 5/8"   |
| 7"                       | 1"     |



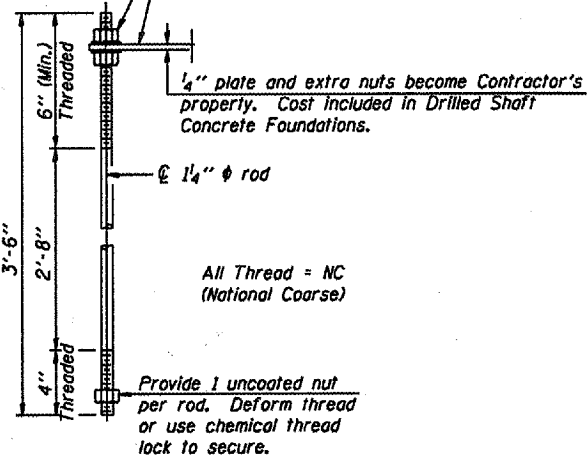
ANCHOR ROD DETAIL  
Spread Footing Foundation

All Thread = NC (National Coarse)



POSITIONING PLATE(S)

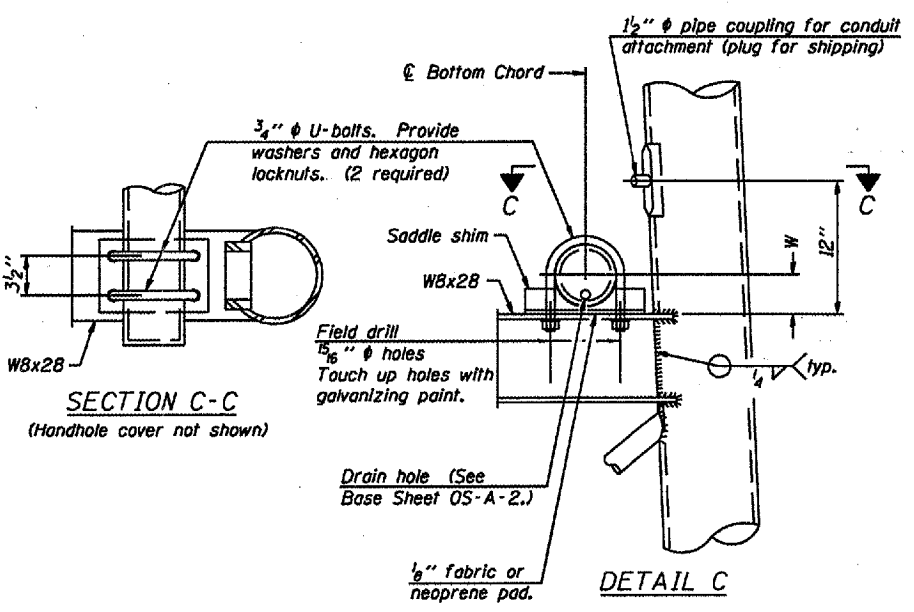
At each location, provide 1/4" thick positioning plate(s) and six (6) additional nuts to be used with leveling nuts to maintain anchor bolts position during concrete placement.



ANCHOR ROD DETAIL  
Drilled Shaft Foundation

All Thread = NC (National Coarse)

| NUMBER | REVISION | DATE |
|--------|----------|------|
|        |          |      |
|        |          |      |
|        |          |      |
|        |          |      |



SECTION C-C  
(Handhole cover not shown)

DETAIL C

10" PIPE SUPPORT FRAME DETAILS

Anchor rods shall conform to AASHTO M314 Grade 36 or 50 and meet Charpy V-Notch (CVN) energy of 15 lb.-ft. at 40° F. Galvanize upper 12" per AASHTO M232. No welding shall be permitted on rods.

OVERHEAD SIGN STRUCTURES  
SUPPORT FRAME DETAILS ALUMINUM TRUSS

District 5  
Overhead Sign  
Structure Replacement

|            |            |                                    |
|------------|------------|------------------------------------|
| DESIGNED - | EXAMINED - | 20                                 |
| CHECKED -  | PASSED -   | ENGINEER OF BRIDGE DESIGN          |
| DRAWN -    |            | ENGINEER OF BRIDGES AND STRUCTURES |
| CHECKED -  |            |                                    |