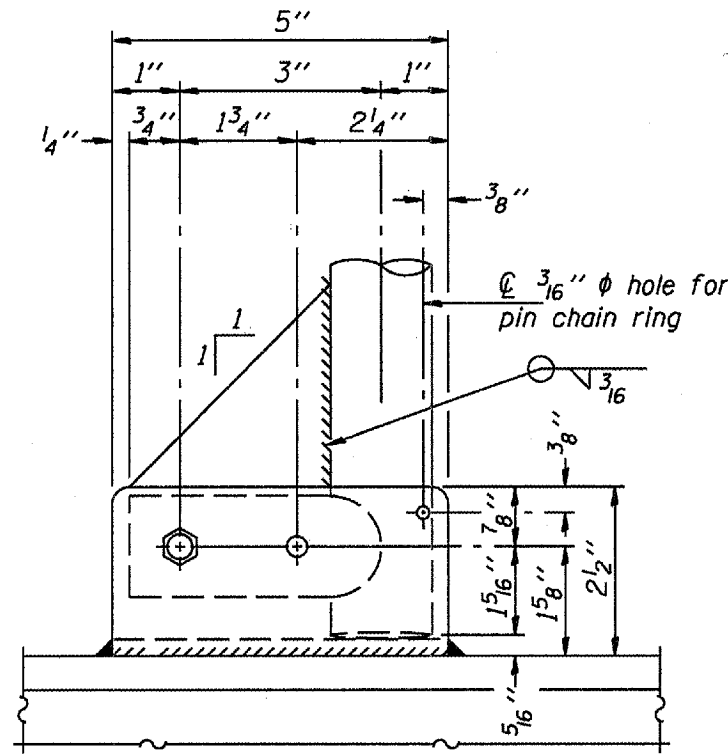
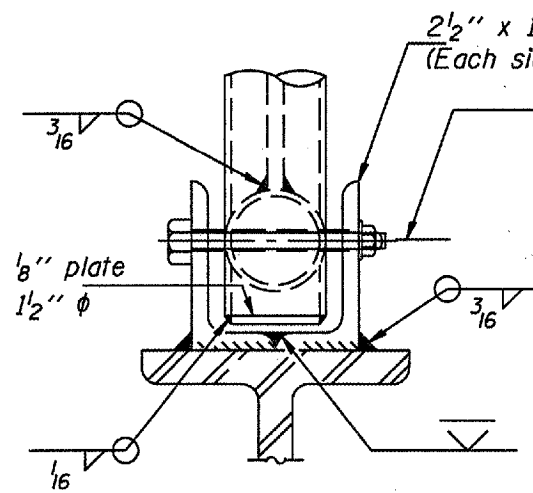


# STATE OF ILLINOIS DEPARTMENT OF TRANSPORTATION



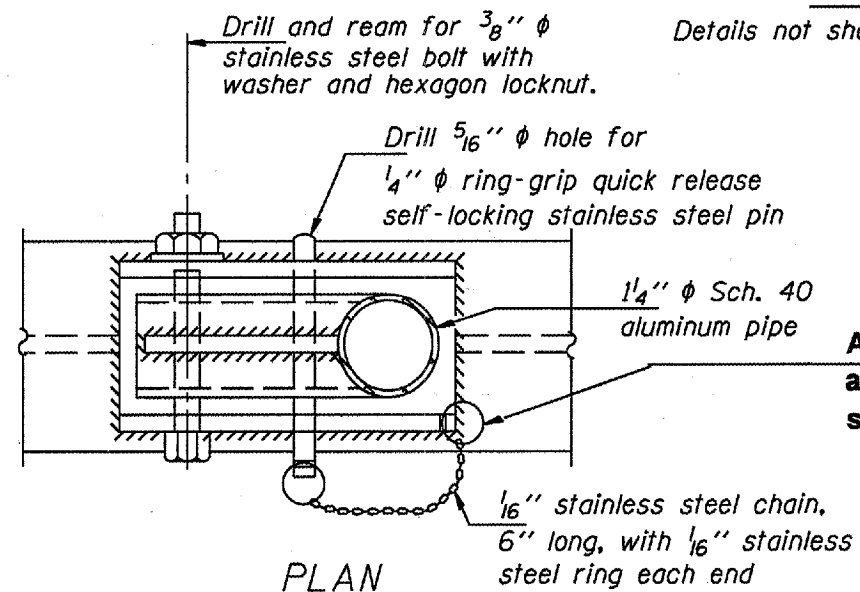
**SIDE ELEVATION**



**FRONT ELEVATION**

The existing locking pin hole to be reamed for proper alignment and a new oversized stainless steel pin to be installed.

Details not shown same as "ELEVATION" at right.



**PLAN**

**DETAIL E HANDRAIL HINGE**

A new stainless steel chain shall be attached to the angle with a 1/16" stainless steel ring.

OVERHEAD SIGN STRUCTURES  
 HANDRAIL HINGE REPAIR DETAIL