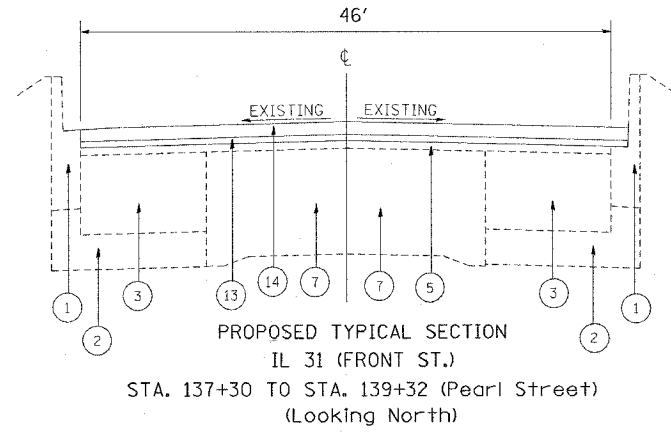
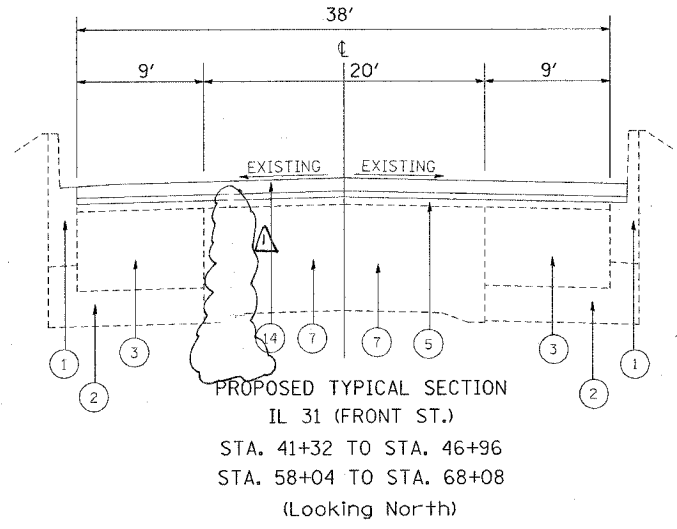
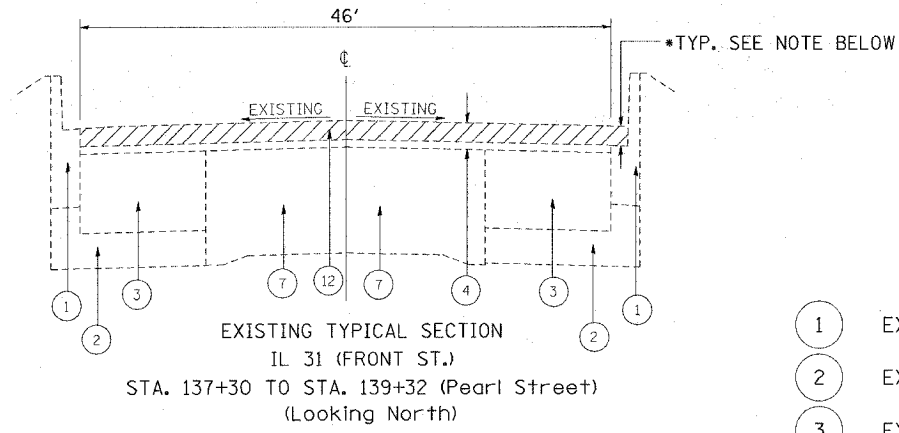
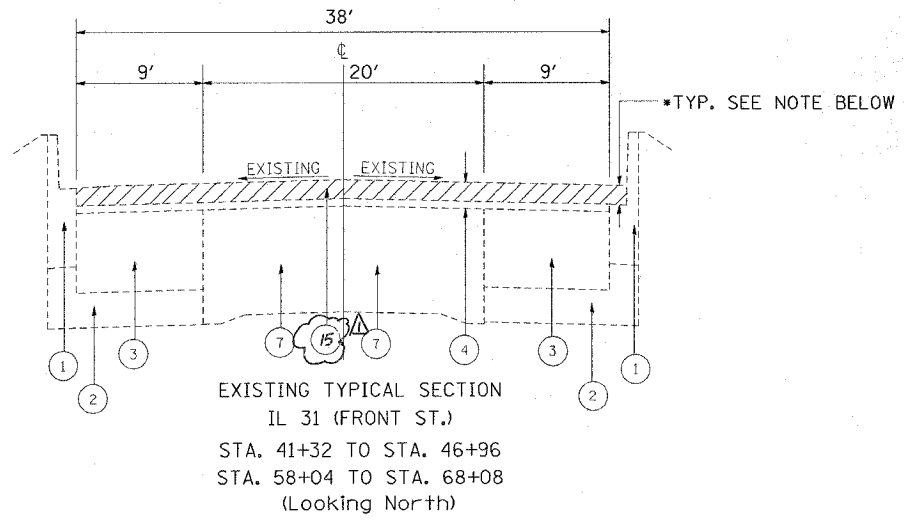


F.A.P. RTE.	SECTION	COUNTY	TOTAL SHEETS	SHEET NO.
336	112 RS-5	MCHENRY	34	5
STA.		TO STA.		
FED. ROAD DIST. NO. 1		ILLINOIS	FED. AID PROJECT	



LEGEND

- 1 EXISTING COMBINATION CONCRETE CURB AND GUTTER, TYPE B6.24 (MODIFIED)
- 2 EXISTING SUB-BASE GRANULAR MATERIAL, TYPE B (4")
- 3 EXISTING PC CONC. BASE COURSE 8" ±
- 4 EXISTING HOT-MIX ASPHALT OVERLAY VARIES 6 3/4" ±
- 5 EXISTING HOT-MIX ASPHALT OVERLAY AFTER MILLING
- 6 EXISTING COMBINATION CONCRETE CURB AND GUTTER, TYPE B6.12
- 7 EXISTING PC CONC. BASE COURSE 9" ±
- 8 EXISTING BITUMINOUS BASE COURSE 10 3/4"
- 9 EXISTING BITUMINOUS CONCRETE PARKING (3" & VAR.)
- 10 EXISTING BITUMINOUS CONC. BASE COURSE WIDENING 9"
- 11 EXISTING RAISED CONCRETE MEDIAN
- 12 PROPOSED HOT-MIX ASPHALT SURFACE REMOVAL, 2 1/4"
- ~~13 PROPOSED POLYMERIZED LEVELING BINDER (MACHINE METHOD), IL-4.75, N50, 3/4"~~
- 14 PROPOSED HOT-MIX ASPHALT SURFACE COURSE, MIX "D", N70, 1 1/2"
- 15 PROPOSED HOT-MIX ASPHALT SURFACE REMOVAL, 1 1/2"

PLOT DATE = 2/6/2007  
 FILE NAME = c:\projects\60b77\112rs5\design\design.dgn  
 PLOT SCALE = 1/8" = 1'-0"  
 USER NAME = ABREUJAH

REVISIONS	
NAME	DATE

ILLINOIS DEPARTMENT OF TRANSPORTATION

IL 31 (FRONT ST.)  
EXISTING AND PROPOSED  
TYPICAL CROSS SECTIONS

SCALE: N.T.S. DRAWN BY  
DATE CHECKED BY

Rev. 4-5-07