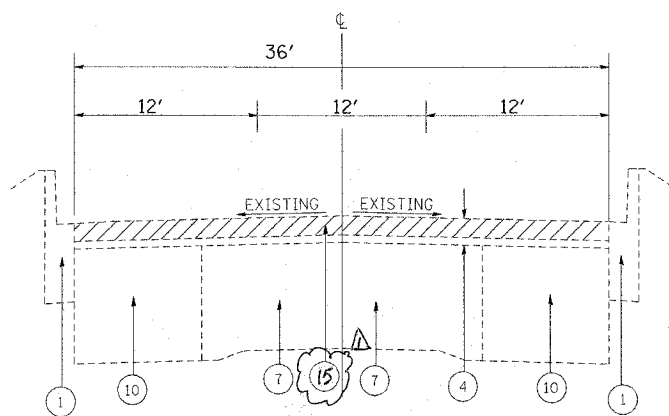
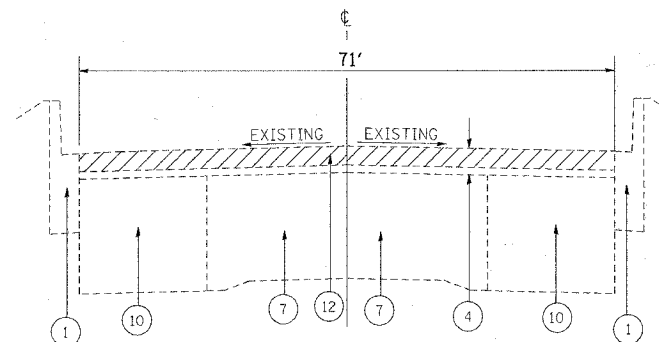


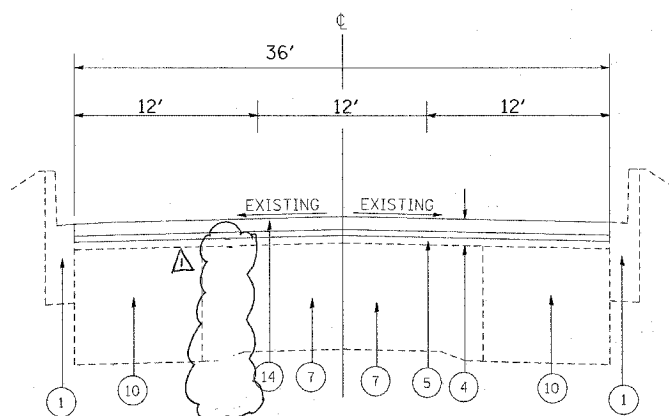
F.A.P. RTE.	SECTION	COUNTY	TOTAL SHEETS	SHEET NO.
336	112 RS-5	MCHENRY	34	6
STA.		TO STA.		
FED. ROAD DIST. NO. 1		ILLINOIS FED. AID PROJECT		



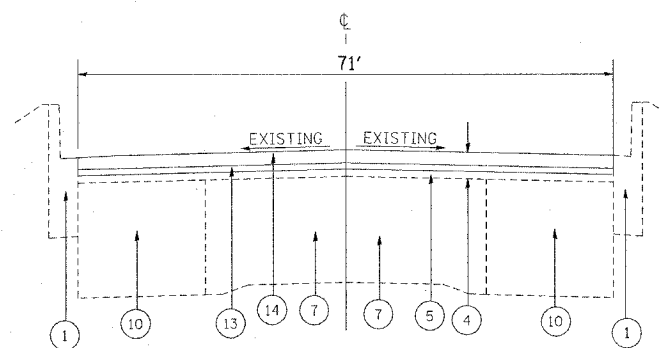
EXISTING TYPICAL SECTION
IL 31 (FRONT ST.)
STA. 140+00 (Pearl St.) TO STA. 151+16



EXISTING TYPICAL SECTION
IL 31 (FRONT ST.)
STA. 169+96 TO STA. 173+71
LOOKING NORTH



PROPOSED TYPICAL SECTION
IL 31 (FRONT ST.)
STA. 140+00 (Pearl St.) TO STA. 151+16



PROPOSED TYPICAL SECTION
IL 31 (FRONT ST.)
STA. 169+96 TO STA. 173+71
LOOKING NORTH

LEGEND

- 1 EXISTING COMBINATION CONCRETE CURB AND GUTTER, TYPE B6.24 (MODIFIED)
- 2 EXISTING SUB-BASE GRANULAR MATERIAL, TYPE B (4")
- 3 EXISTING PC CONC. BASE COURSE 8" ±
- 4 EXISTING HOT-MIX ASPHALT OVERLAY VARIES 6 3/4" ±
- 5 EXISTING HOT-MIX ASPHALT OVERLAY AFTER MILLING
- 6 EXISTING COMBINATION CONCRETE CURB AND GUTTER, TYPE B6.12
- 7 EXISTING PC CONC. BASE COURSE 9" ±
- 8 EXISTING BITUMINOUS BASE COURSE 10 3/4"
- 9 EXISTING BITUMINOUS CONCRETE PARKING (3" & VAR.)
- 10 EXISTING BITUMINOUS CONC. BASE COURSE WIDENING 9"
- 11 EXISTING RAISED CONCRETE MEDIAN
- 12 PROPOSED HOT-MIX ASPHALT SURFACE REMOVAL, 2 1/4"
- 13 ~~PROPOSED POLYMERIZED LEVELING BINDER (MACHINE METHOD), IL 4.75, N50, 3/4"~~
- 14 PROPOSED HOT-MIX ASPHALT SURFACE COURSE, MIX "D", N70, 1 1/2"
- 15 PROPOSED HOT-MIX ASPHALT SURFACE REMOVAL, 1 1/2"

PLOT DATE = 5/6/2007
FILE NAME = c:\pwork\1142606\design\pae.dgn
PLOT SCALE = 80.0000 / 1 IN.
USER NAME = ABRELUH

REVISIONS		ILLINOIS DEPARTMENT OF TRANSPORTATION
NAME	DATE	
		IL 31 (FRONT ST.) EXISTING AND PROPOSED TYPICAL CROSS SECTIONS
SCALE: N.T.S.		DRAWN BY CHECKED BY
DATE		

Rev. 4-5-07