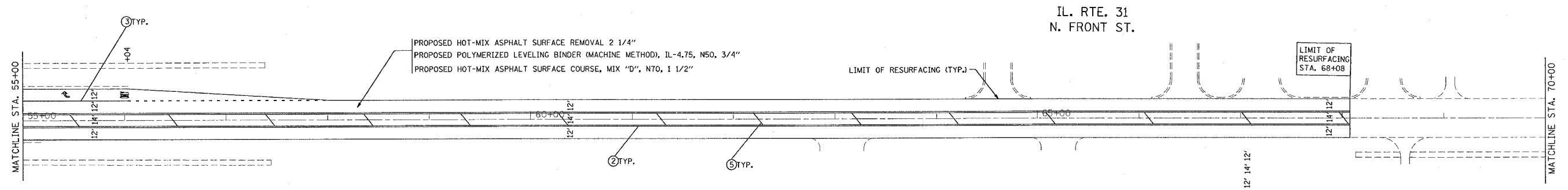


F.A.P. RTE.	SECTION	COUNTY	TOTAL SHEETS	SHEET NO.
336	112 RS-5	MCHENRY	34	9
STA. 30+00		TO STA. 45+00		
FED. ROAD DIST. NO.	ILLINOIS	FED. AID PROJECT		



- PAVEMENT MARKING LEGEND**
- ① 4" LANE LINE- WHITE SKIP DASH
  - ② 4" DOUBLE YELLOW SOLID LINE
  - ③ 6" TURN LANE-WHITE
  - ④ LETTERS & SYMBOLS-WHITE
  - ⑤ 12" DIAGONALS-YELLOW @ 45°
  - ⑥ 6" CROSS WALK-WHITE
  - ⑦ 24" STOP BAR-WHITE
  - ⑧ 6" TURN LANE DOTTED EXTENSIONS
  - ⑨ 12" SCHOOL CROSSING
  - ⑩ 4" WHITE LINE
  - ⑪ 8" WHITE ISLAND
  - ⑫ 12" DIAGONALS-WHITE @ 45°

**NOTES**

LIMIT OF RESURFACING ON SIDE-STREETS THROUGH OUT THE IMPROVEMENT SHALL BE TO THE RADIUS OF RETURN OR AS DIRECTED BY THE ENGINEER.

ALL FINAL PAVEMENT MARKINGS SHALL BE THERMOPLASTIC (OF THE EXTRUDED TYPE) AND SHOULD BE PLACED IN ACCORDANCE WITH "DISTRICT ONE TYPICAL PAVEMENT MARKINGS" DETAIL, (TC-13).

ALL RAISED REFLECTIVE PAVEMENT MARKERS SHALL BE PLACED IN ACCORDANCE WITH THE DISTRICT ONE "TYPICAL APPLICATIONS RAISED REFLECTIVE PAVEMENT MARKER DETAIL." (TC-11).

REVISIONS	
NAME	DATE

ILLINOIS DEPARTMENT OF TRANSPORTATION

IL RTE. 31 (FRONT ST.)  
McCULLOM LAKE RD. TO BULL VALLEY RD.  
ROADWAY & PAVEMENT MARKING PLAN

SCALE: VERT. \_\_\_\_\_  
HORIZ. \_\_\_\_\_

DATE \_\_\_\_\_

DRAWN BY \_\_\_\_\_  
CHECKED BY \_\_\_\_\_

PLOT DATE = 3/6/2007  
 PLOT NAME = I:\Projects\112RS-5\112RS-5.dwg  
 PLOT SCALE = 50:1  
 USER NAME = ABREUJH