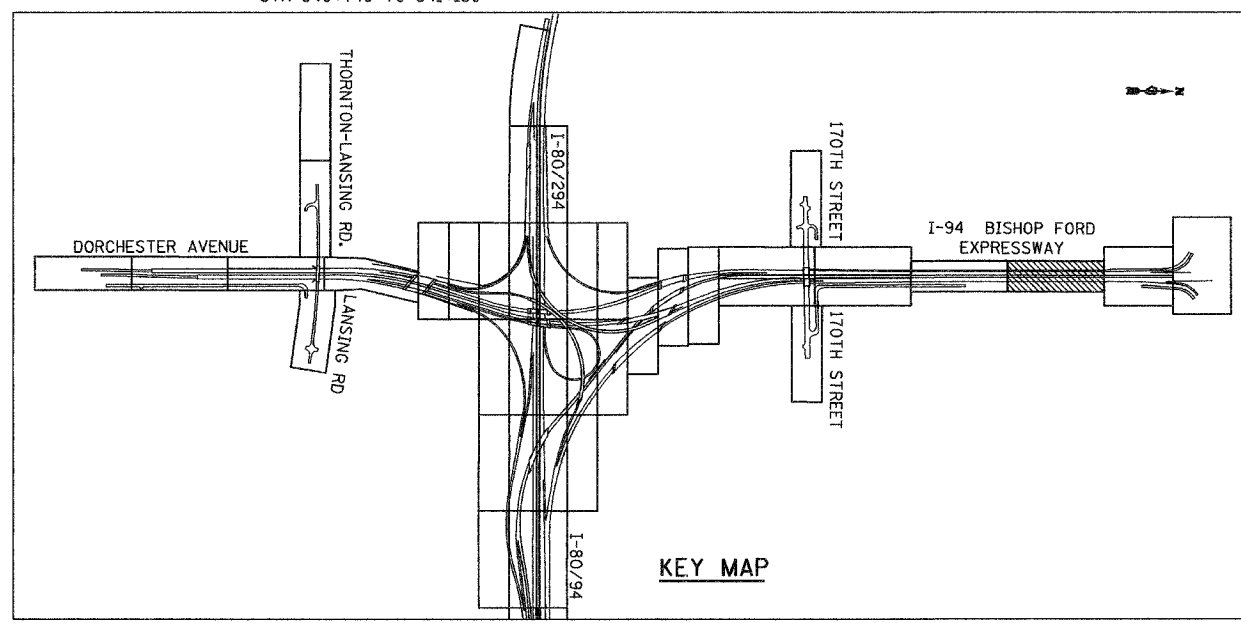
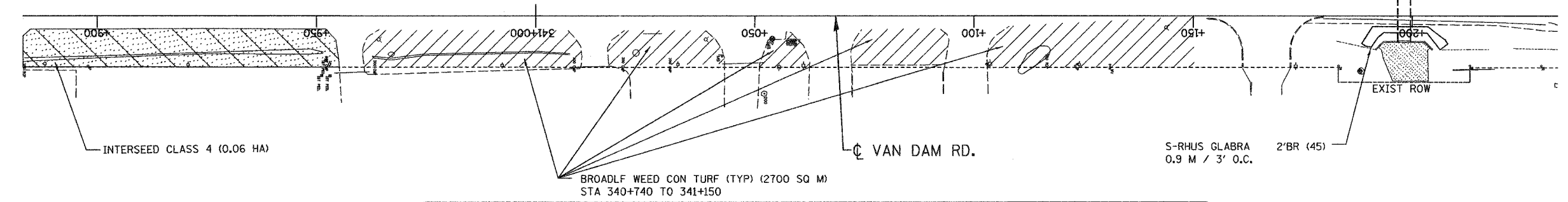
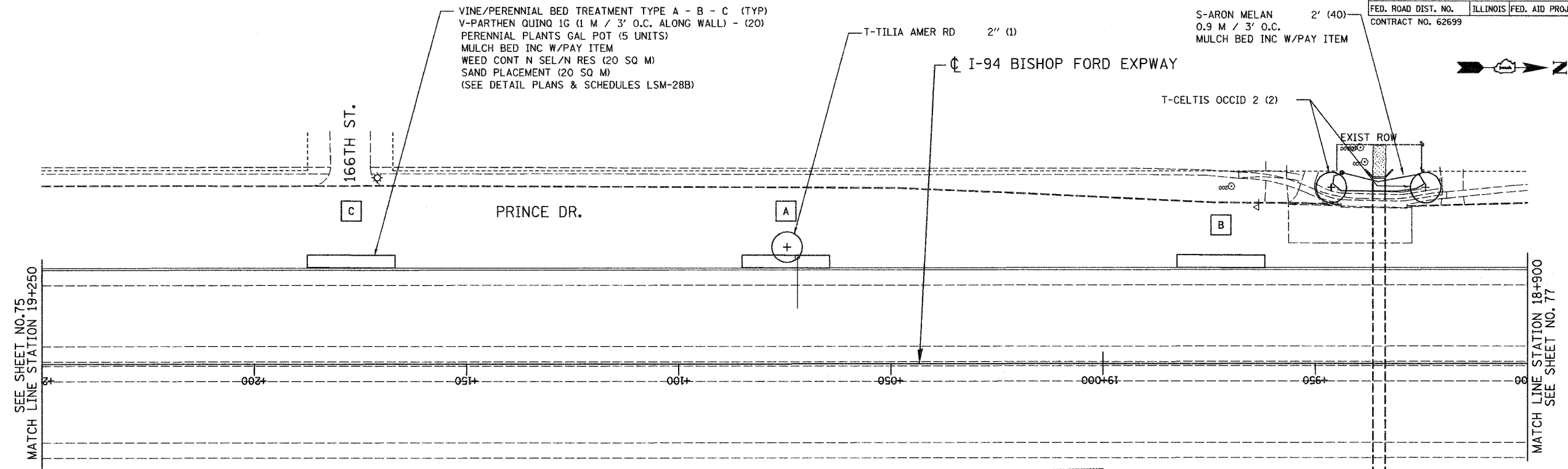


ALL DIMENSIONS IN METERS EXCEPT PAY ITEMS AND UNLESS NOTED OTHERWISE

| | | | | |
|---------------------|------------|------------------|--------------|-----------|
| F.A.I. RTE. | SECTION | COUNTY | TOTAL SHEETS | SHEET NO. |
| 80/94 | 2003-106LS | COOK | 88 | 76 |
| STA. | TO STA. | | | |
| FED. ROAD DIST. NO. | ILLINOIS | FED. AID PROJECT | | |
| CONTRACT NO. 62699 | | | | |



LSNS - 63

| REVISIONS | |
|-----------|------|
| NAME | DATE |
| | |
| | |
| | |
| | |
| | |

ILLINOIS DEPARTMENT OF TRANSPORTATION
 I-80/94/US 6
 KINGERY-BORMAN EXPRESSWAY
 BURNHAM ROAD TO US 41
LANDSCAPING PLAN
I-94 BISHOP FORD EXPWAY

SCALE 1:500
 DATE 12/13/06

DRAWN BY ACE/CAD
 CHECKED BY T.J.W.

AMERICAN
 CONSULTING ENGINEERS

12/12/2006
 3:07:28 PM
 S:\Project\20140601\CADD\Contract US LS 63.rdw