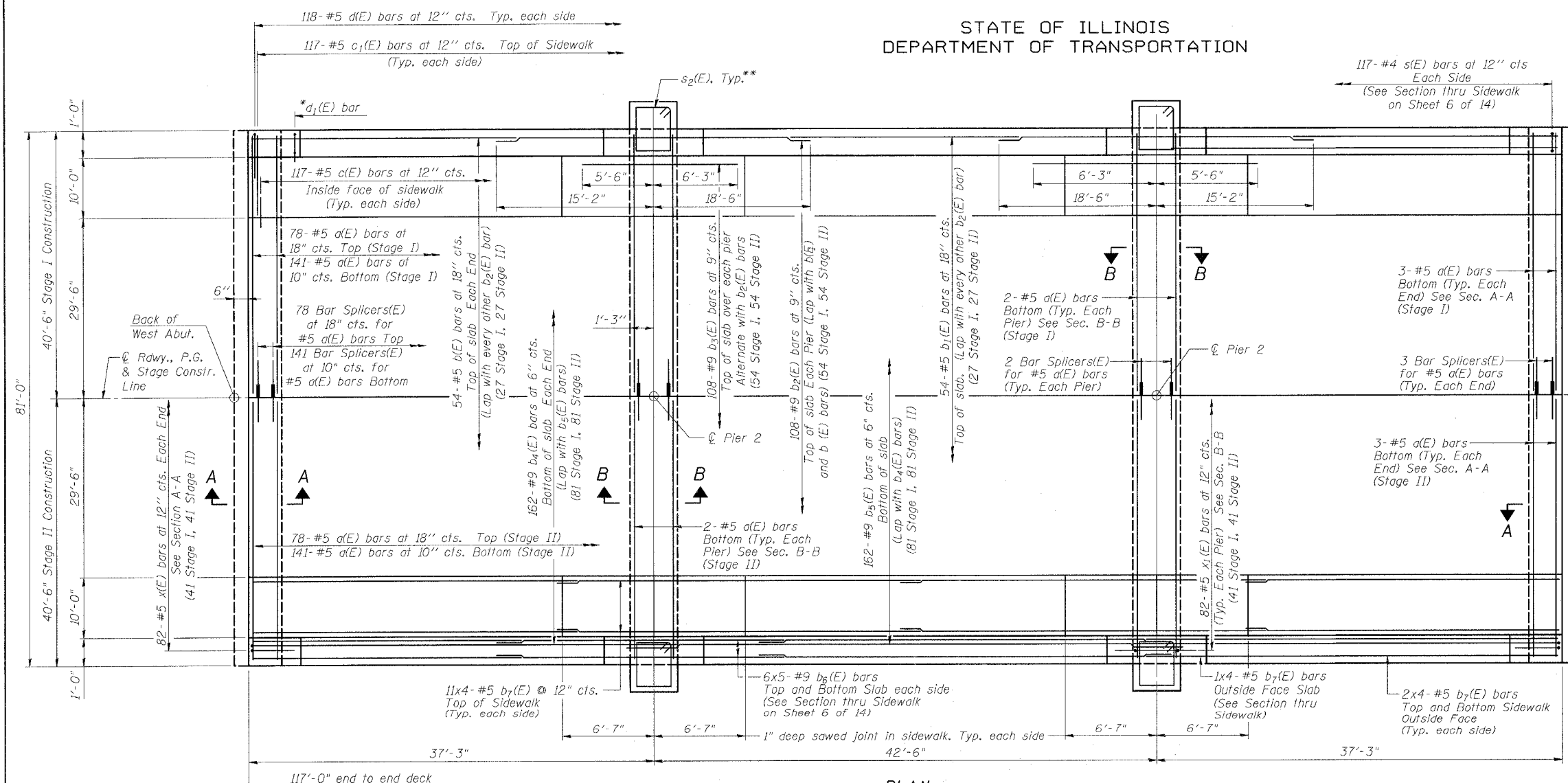


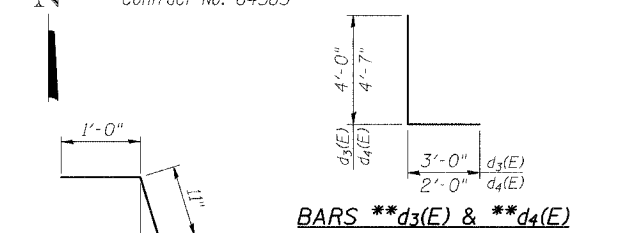
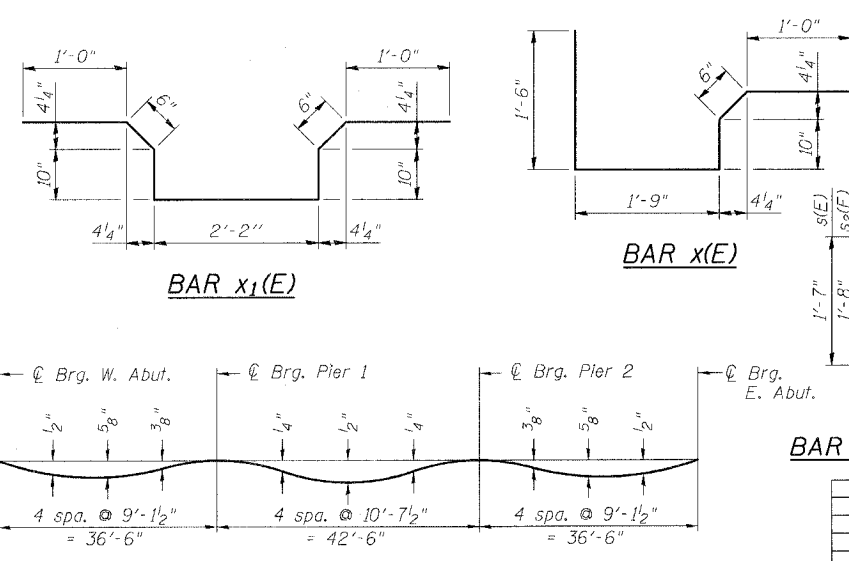
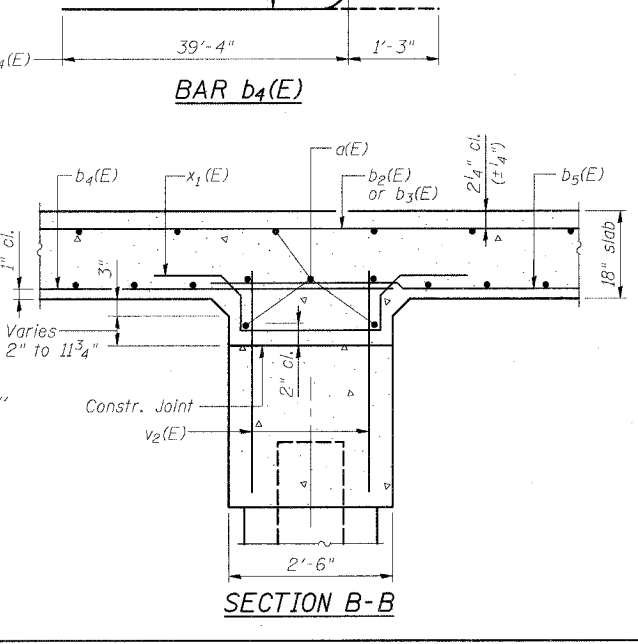
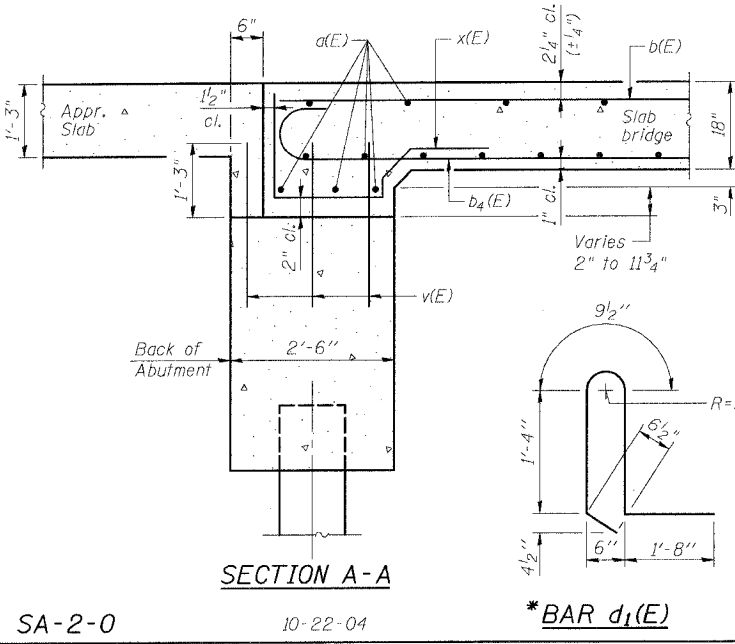
STATE OF ILLINOIS
DEPARTMENT OF TRANSPORTATION

ROUTE NO. FAU 567 (IL 38)	SECTION 34-XBR	COUNTY DEKALB	TOTAL SHEETS 90	SHEET NO. 36	SHEET NO. 5 14 SHEETS
FED. ROAD DIST. NO.		BILLING	FED. AID PROJECT		

Contract No. 64583



PLAN

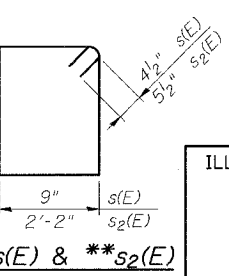
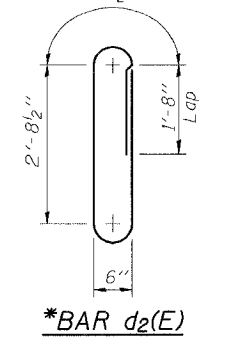


SUPERSTRUCTURE
BILL OF MATERIAL

Bar	No.	Size	Length	Shape
a(E)	458	#5	40'-3"	
b(E)	108	#5	24'-3"	
b1(E)	54	#5	10'-6"	
b2(E)	216	#9	33'-8"	
b3(E)	216	#9	11'-9"	
b4(E)	324	#9	40'-7"	
b5(E)	162	#9	46'-11"	
b6(E)	60	#9	27'-0"	
b7(E)	112	#5	30'-6"	
b8(E)	8	#5	2'-2"	
c(E)	234	#5	2'-5"	
c1(E)	234	#5	10'-6"	
d(E)	236	#5	2'-6"	
d1(E)	304	#5	5'-8"	
d2(E)	336	#5	8'-8"	
d3(E)	12	#6	7'-0"	
d4(E)	12	#6	6'-7"	
e(E)	16	#7	19'-6"	
e1(E)	16	#5	19'-0"	
e2(E)	8	#7	21'-9"	
e3(E)	8	#5	21'-1"	
s(E)	234	#4	5'-5"	
s2(E)	20	#5	8'-7"	
x(E)	164	#5	5'-7"	
x1(E)	164	#5	6'-10"	
Concrete Bridge Rail, Sidewalk Mounted	Foot		224	
Reinforcement Bars, Epoxy Coated	Pound		142,260	
Concrete Superstructure	Cu. Yd.		642.4	

MIN. BAR LAPS

#5 bars = 1'-8"
#9 bars = 4'-5"



REVISIONS	
NAME	DATE

ILLINOIS DEPARTMENT OF TRANSPORTATION

SUPERSTRUCTURE

F.A.U. ROUTE 567 (IL 38) OVER SOUTH BRANCH OF THE KISHWAUKEE RIVER DEKALB COUNTY - SEC. 34-XBR STA. 140+96.71 S.N. 019-0044

SCALE: VERT. DATE: 7/6/05

DRAWN BY: LANDREY
DESIGNED BY: TRELLO
CHECKED BY: SANFORD

GREENE & BRADFORD, INC. ENGINEERS AND ARCHITECTS

COMPUTER FILE NO. SN019-0044:SS-PLAN PROJECT 05198 12/4/06-MML

FILE NAME = J:\05198\DRAWINGS\SN019-0044\SN019-0044.dgn
PLOT SCALE = 1/8"=1'-0"
PLOT DATE = 12/4/2006
PLOT BY = MICHELLE
OPERATOR = MICHELLE

SA-2-0

10-22-04

*BAR d1(E)