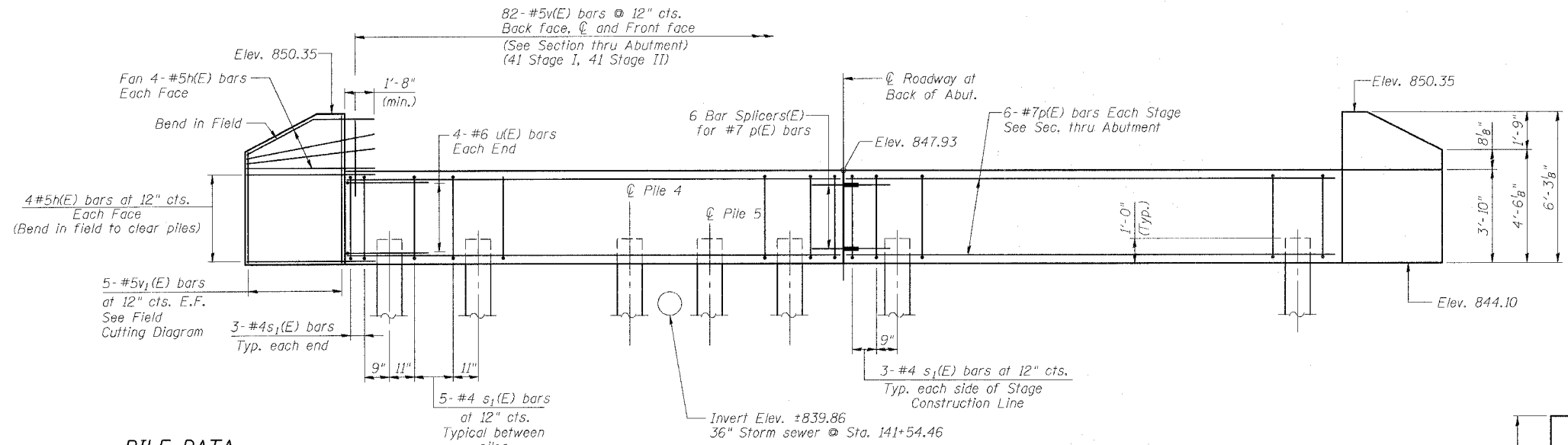


STATE OF ILLINOIS
DEPARTMENT OF TRANSPORTATION

ROUTE NO.	SECTION	COUNTY	INVEST. SHEETS	SHEET NO.	SHEET NO. 9 14 SHEETS
FAU 567 (IL 38)	34-XBR	DEKALB	90	40	
FED. ROAD DIST. NO.	ILLINOIS	FED. AID PROJECT-			

Contract No. 64583



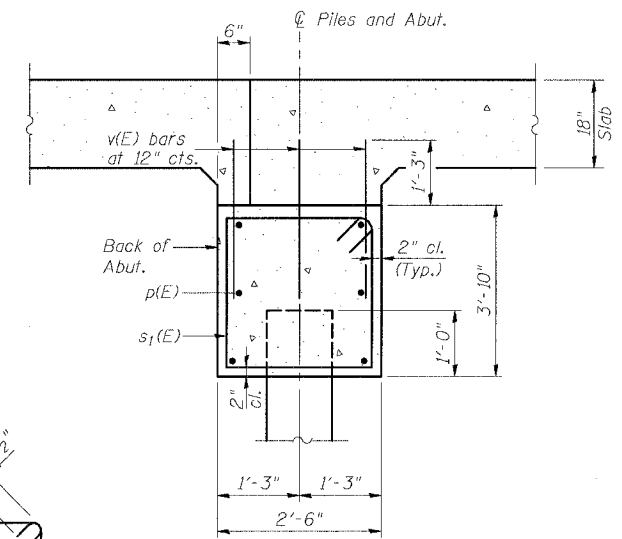
PILE DATA

Type and Size: Metal Shell - 14 in. dia. x 0.25 in. wall
Nominal Required Bearing: 192 kips
Allowable Resistance Available: 64 kips
Estimated Length: 20 feet

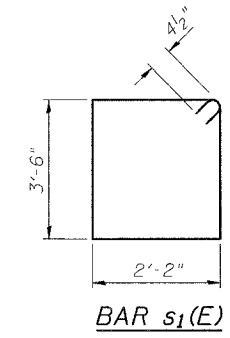
ELEVATION
(Looking East)

Note:
The Metal Shell piles shall be according to ASTM A 252 Grade 3.

Pile driving operations shall be completed after the removal of the existing 36" storm sewer and prior to placement of 36" storm sewer. For details and quantities of 36" storm sewer, see Roadway plans.



SECTION THRU ABUTMENT



BAR s₁(E)

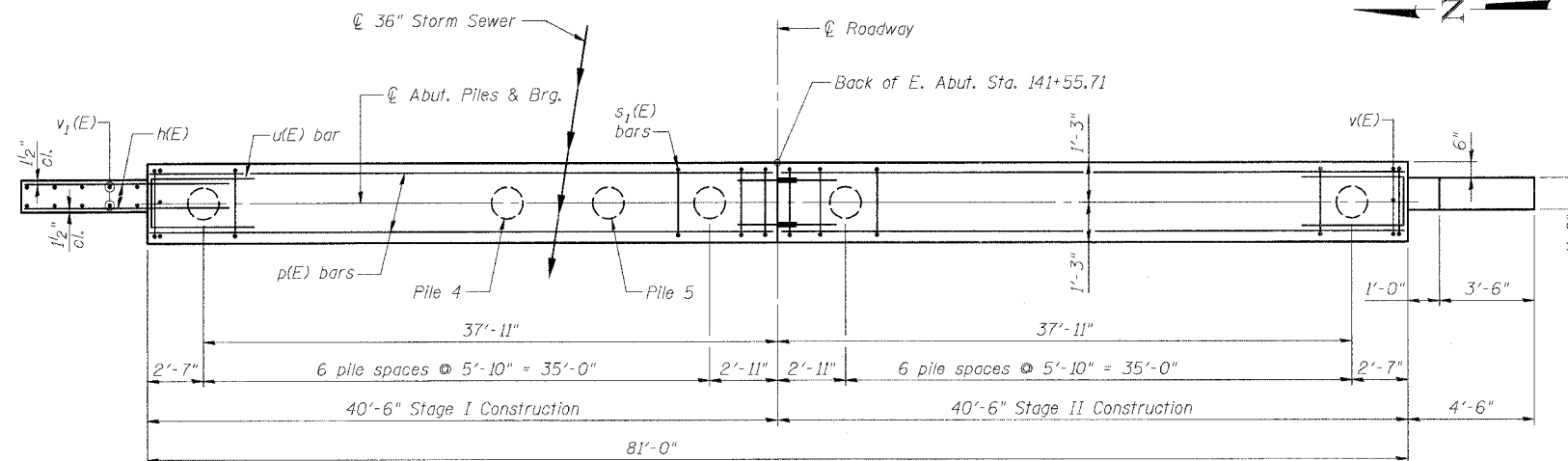


BAR u(E)

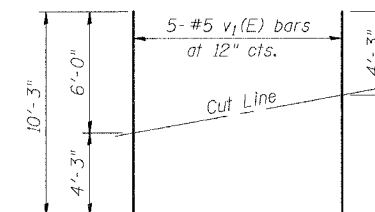
**BILL OF MATERIAL
EAST ABUTMENT**

Bar	No.	Size	Length	Shape
h(E)	32	#5	6'-8"	—
p(E)	12	#7	40'-3"	—
s ₁ (E)	72	#4	12'-1"	□
u(E)	8	#6	11'-3"	□
v(E)	246	#5	3'-7"	—
v ₁ (E)	10	#5	10'-3"	—
Concrete Structures			Cu. Yd.	30.6
Reinforcement Bars, Epoxy Coated			Pound	2950
Furnishing Metal Shell Piles, 14"			Foot	280
Structure Excavation			Cu. Yd.	60
Driving Piles			Foot	280

Reinforcement bars designated (E) shall be epoxy coated



PLAN



FIELD CUTTING DIAGRAM

Order v₁(E) bars full length. Cut as shown and use remainder of bars in opposite face.

REVISIONS	
NAME	DATE

ILLINOIS DEPARTMENT OF TRANSPORTATION
EAST ABUTMENT

F.A.U. ROUTE 567 (IL 38) OVER
SOUTH BRANCH OF THE KISHAWAUKEE RIVER
DEKALB COUNTY - SEC. 34-XBR
STA. 140+96.71
S.N. 019-0044

SCALE: VERT. _____
HORIZ. _____
DATE: 7/6/05

DRAWN BY: LANDREY
DESIGNED BY: TRELLO
CHECKED BY: SANFORD

COMPUTER FILE NO.
SM019-0044;ABUT.E
PROJECT 05198
12/4/06-MML

FILE NAME = I:\AD\5198\DRAWINGS\SM019-0044\NSM019-0044.dgn
PLOT SCALE = 2.6667
PLOT DATE = 12/24/2006
PLOT TIME = 15:57:17 PM
OTHER JOB = michelb