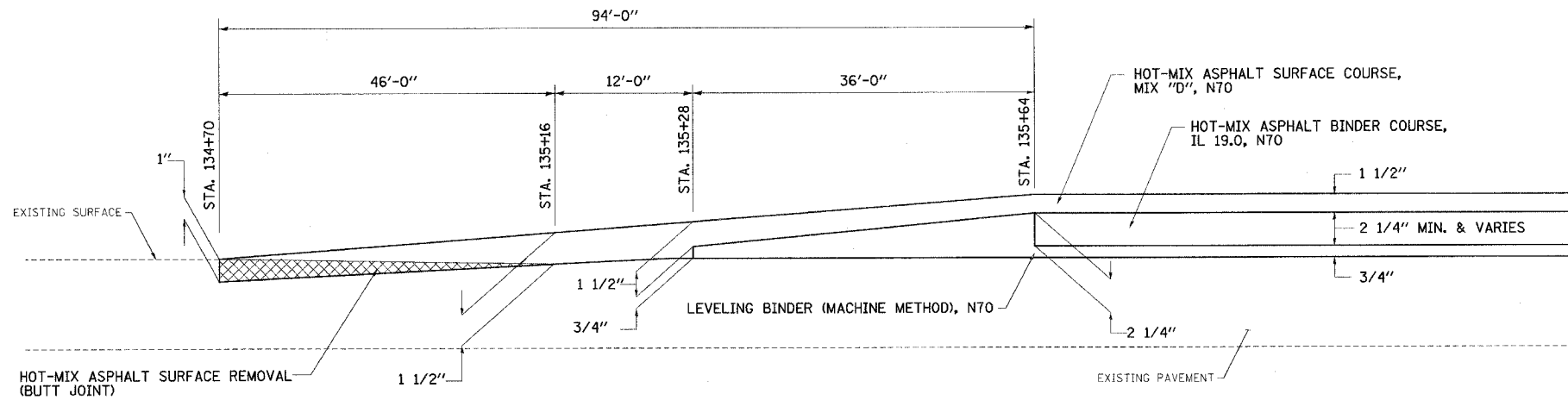
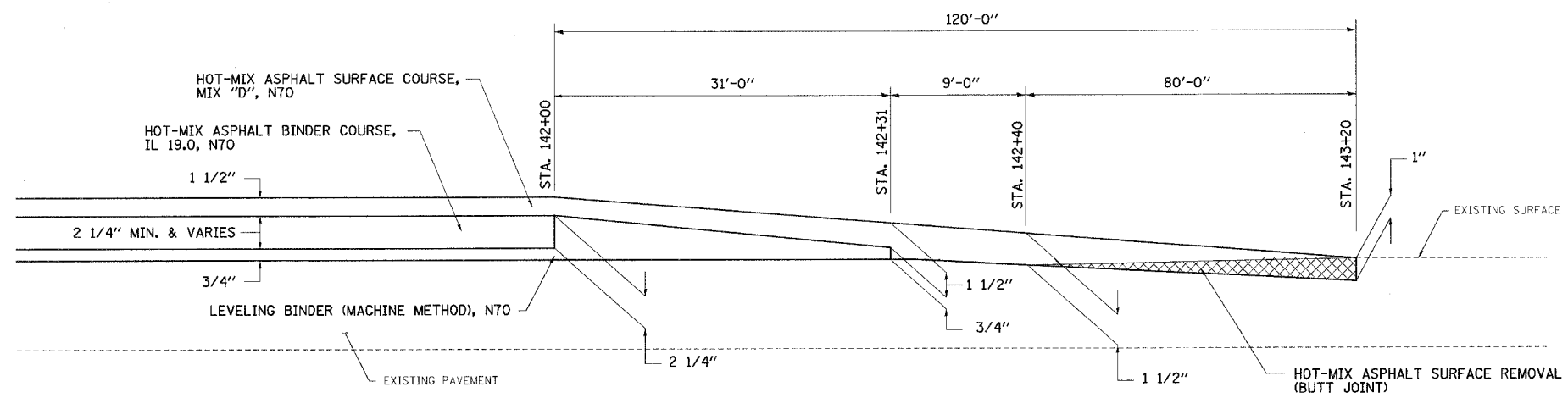


F.A.P. RTE.	SECTION	COUNTY	TOTAL SHEETS	SHEET NO.
567	34X-BR	DEKALB	90	66
STA.		TO STA.		
FED. ROAD DIST. NO.	ILLINOIS	FED. AID PROJECT		



BUTT JOINT DETAIL
(NOT TO SCALE)
STA. 134+70.00 TO STA. 135+64.00



BUTT JOINT DETAIL
(NOT TO SCALE)
STA. 142+00.00 TO STA. 143+20.00

REVISIONS	
NAME	DATE
IDOT REVIEW	10/25/06

ILLINOIS DEPARTMENT OF TRANSPORTATION
DETAILS

FAP RTE 567 (IL RTE 38)
SECTION 34X-BR
DEKALB COUNTY

SCALE: VERT. _____
HORIZ. _____
DATE 10/24/05

DRAWN BY SUTHEARD
CHECKED BY BOTT

GREENE & BRADFORD, INC.
CONSULTING ENGINEERS
OF ENGINEERS

COMPUTER FILE NO. D10800SPL
PROJECT 05198
10/25/06-GSJ

PLOT DATE = 10/25/06
FILE NAME = 05198.DWG
PLOT SCALE = 1/8"=1'-0"
REFERENCE = 05198
OPERATOR = J. BOYER