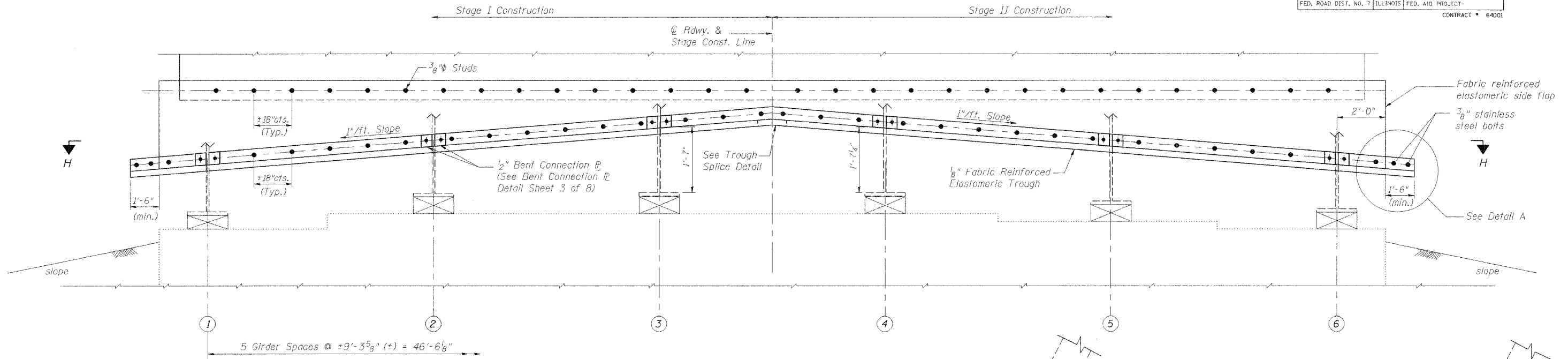


STATE OF ILLINOIS
DEPARTMENT OF TRANSPORTATION

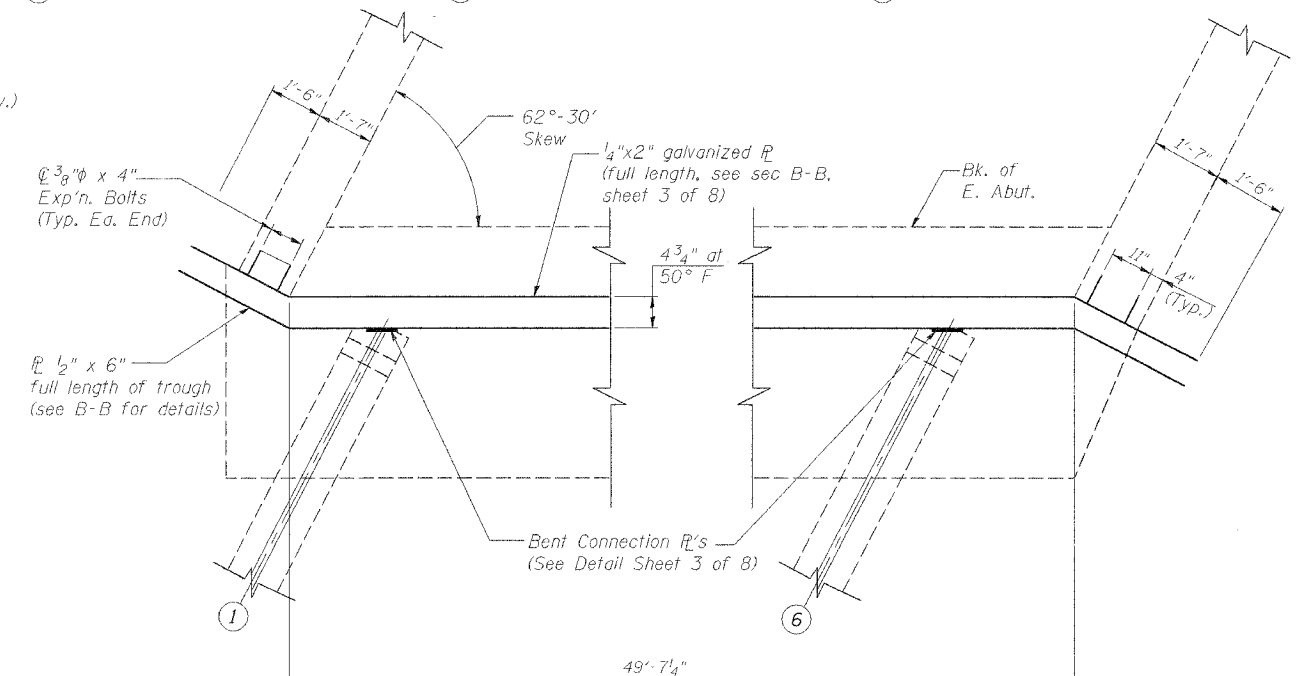
ROUTE NO.	SECTION	COUNTY	TOTAL SHEETS	SHEET NO.
U.S. 20	1177-2B1M	STEPHENSON COUNTY	11	7
FED. ROAD DIST. NO. 7		ILLINOIS	FED. AID PROJECT-	
CONTRACT # 64001				

SHEET NO. 5
8 SHEETS

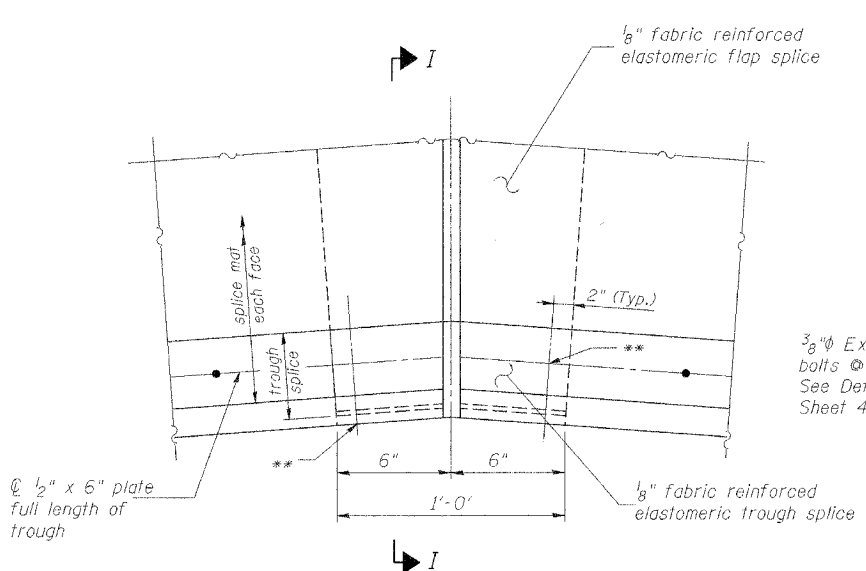


VIEW E-E

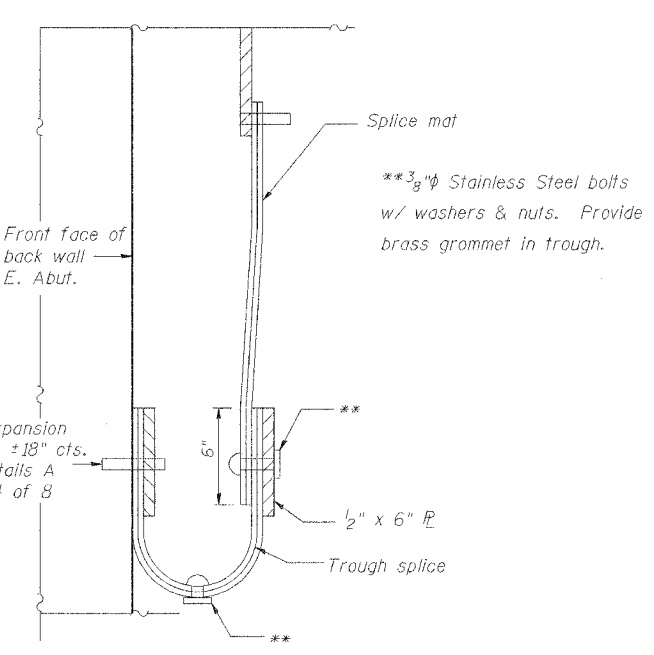
(Horizontal dimensions are measured along skew.)
(Looking East)



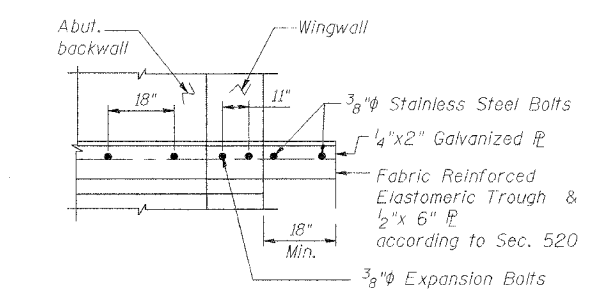
SECTION H-H



TROUGH SPLICE DETAIL



SECTION I-I



DETAIL A

TROUGH DETAILS

US 20 OVER PECATONICA RIVER
FAP ROUTE 301 (US20), SECTION (1177-2B1M)
STEPHENSON COUNTY
STATION 539+14.00
STRUCTURE NO. 089-0045

SCALE: NONE DATE: JANUARY, 2007
Soodan & Associates, Inc.
100 North LaSalle Street, Suite 1800
Chicago, Illinois 60602

DESIGNED	M.R./R.A.
CHECKED	H.T.
DRAWN	J.S.P.
CHECKED	H.T./M.R.