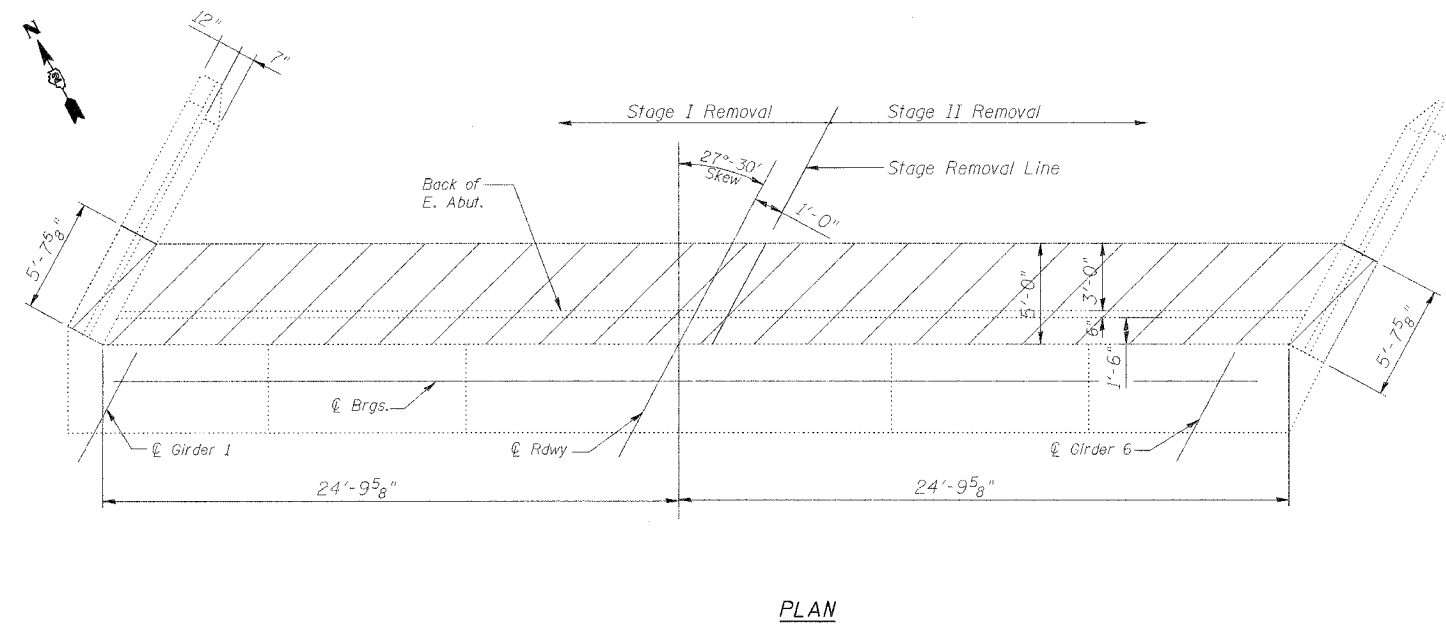
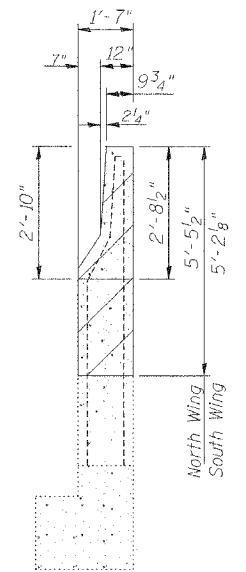
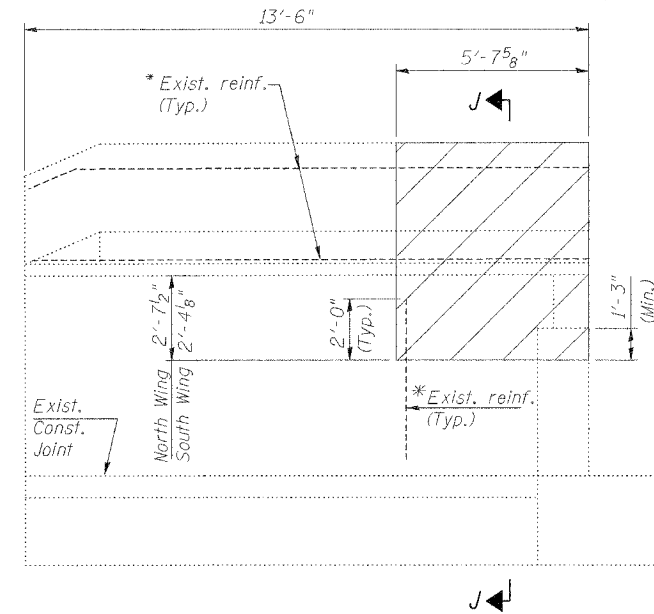
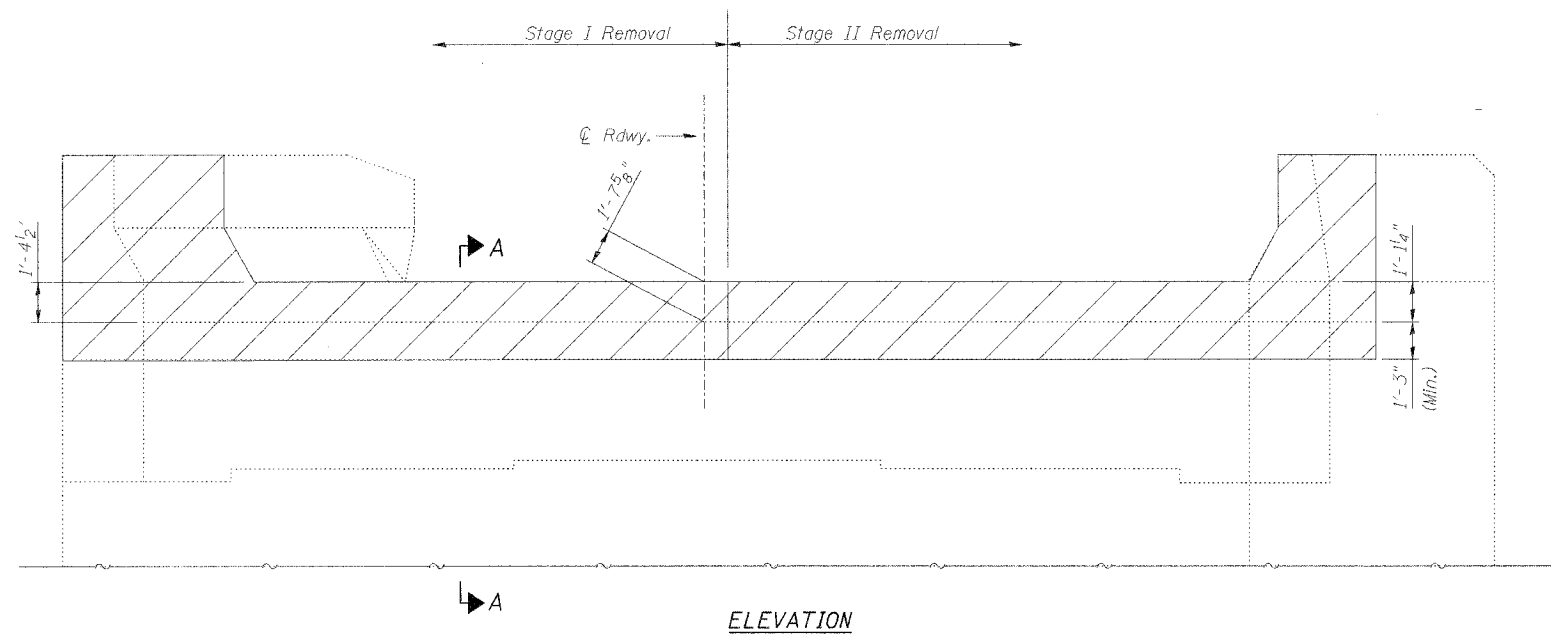


STATE OF ILLINOIS  
DEPARTMENT OF TRANSPORTATION

|                       |           |                           |                  |           |                         |
|-----------------------|-----------|---------------------------|------------------|-----------|-------------------------|
| ROUTE NO.             | SECTION   | COUNTY                    | TOTAL SHEETS     | SHEET NO. | SHEET NO. 6<br>8 SHEETS |
| U.S. 20               | (177-2B)M | STEPHENSON COUNTY         | 11               | 8         |                         |
| FED. ROAD DIST. NO. 7 |           | ILLINOIS FED. AID PROJECT | CONTRACT # 64001 |           |                         |



\* Existing reinforcement extending into the removal area shall be cleaned, straightened Incorporated into the new construction. Any reinforcement bars that are damaged during concrete removal shall be replaced with an approved bar splicer or anchorage system. Cost shall be included with concrete removal.

**NOTES:**  
For Section A-A, See sheet 2 of 8.  
Hatched areas indicate Concrete Removal

|          |           |
|----------|-----------|
| DESIGNED | M.R./R.A. |
| CHECKED  | H.T.      |
| DRAWN    | J.S.P.    |
| CHECKED  | H.T./M.R. |

**CONCRETE REMOVAL DETAILS**

US 20 OVER PECATONICA RIVER  
FAP ROUTE 301 (US20), SECTION (177-2B)M  
STEPHENSON COUNTY  
STATION 539+14.00  
STRUCTURE NO. 089-0045

SCALE: NONE DATE: JANUARY, 2007

**Soodan** Soodan & Associates, Inc.  
100 North LaSalle Street, Suite 1800  
Chicago, Illinois 60602