

RELOCATE TEMPORARY CONCRETE BARRIER

STATE OF ILLINOIS
DEPARTMENT OF TRANSPORTATION

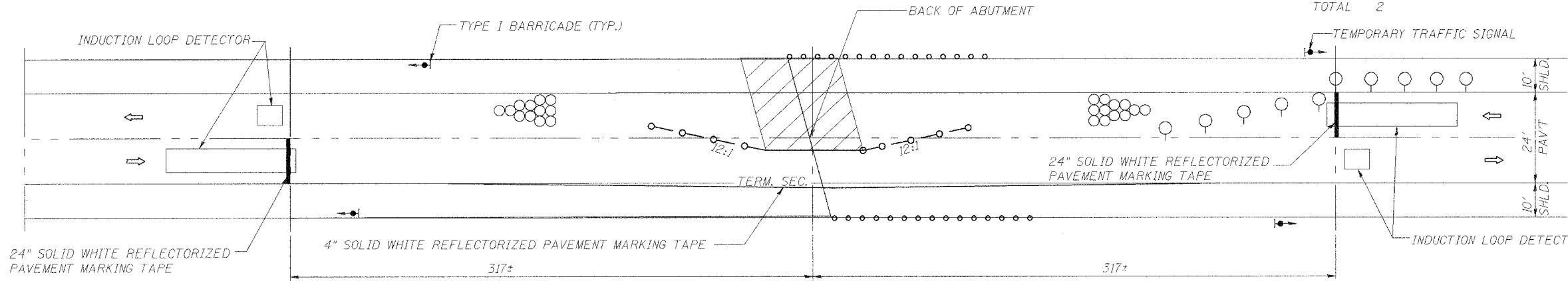
ROUTE NO.	SECTION	COUNTY	TOTAL SHEETS	SHEET NO.
U.S. 20	(177-2B)M	STEPHENSON COUNTY	11	11
FED. ROAD DIST. NO. 7		ILLINOIS	FED. AID PROJECT-	
CONTRACT # 64001				

TEMPORARY CONCRETE BARRIER TERMINAL SECTION

SN 089-0045 (STAGE 1)	300
TOTAL	300

TRAFFIC CONTROL STAGE 1 CONSTRUCTION

SN 089-0045 (STAGE 1)	EACH	2
TOTAL	TOTAL	2



PAVEMENT MARKING REMOVAL

CENTER LINE	160
TOTAL	160
PAVEMENT MARKING TAPE, TYPE III 24"	FOOT
TRAFFIC SIGNAL STOP BARS	24
TOTAL	24

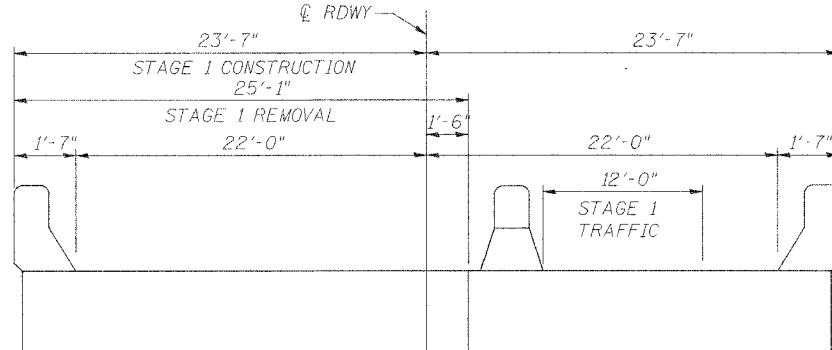
STAGE I CONSTRUCTION SEQUENCE

1. Install Standard 701321 using Standard 701201 and 701301.
2. Construct north section of east abutment expansion joint.
3. Relocate Standard 701321 to Stage II using Standard 701201 and 701301.
4. Switch traffic to Stage II.

VERTICAL PANELS AT 50' CENTERS
CRYSTAL BIDIRECTIONAL REFLECTORS AT 50' CENTERS

SAND MODULE IMPACT ATTENUATOR (TEMPORARY.)

SN 089-0045 (STAGE 1)	EACH	24
TOTAL	TOTAL	24



TYP. SEC. THRU DECK

PAVEMENT MARKING TAPE, TYPE III 4"

STAGE 1 (EB) EDGE LINE	FOOT	635
STAGE 2 (WB) EDGE LINE	FOOT	635
TOTAL	TOTAL	1270

BARRIER WALL REFLECTORS, CRYSTAL BIDIRECTIONAL TEMPORARY PAVEMENT MARKERS, TRAFFIC CONTROL SIGNS AND DEVICES SHALL USE THE DISTANCE AND LAYOUT SET FORTH IN STANDARD 701321

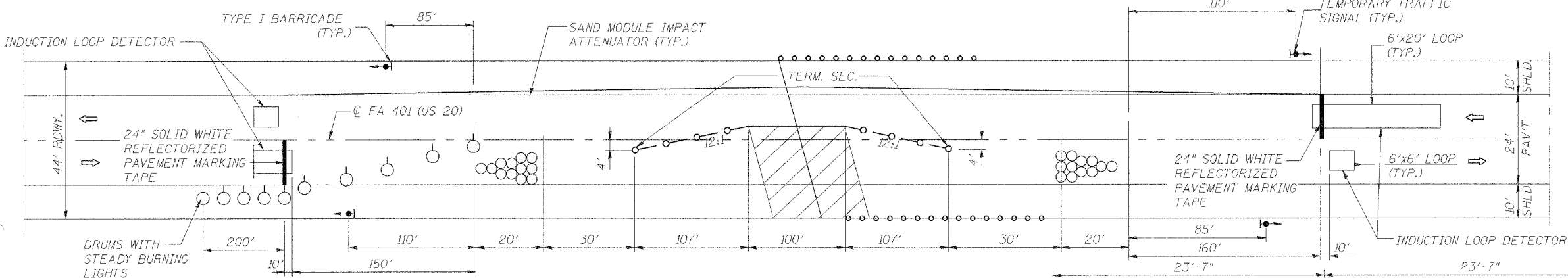
PAINT PAVEMENT MARKING-LINE 4"

CENTER LINE STRIPPING	FOOT	160
TOTAL	TOTAL	160

TRAFFIC CONTROL STAGE 2 CONSTRUCTION

RELOCATE TEMPORARY CONCRETE BARRIER

SN 085-0045 (STAGE)	FOOT	314
TOTAL	TOTAL	314

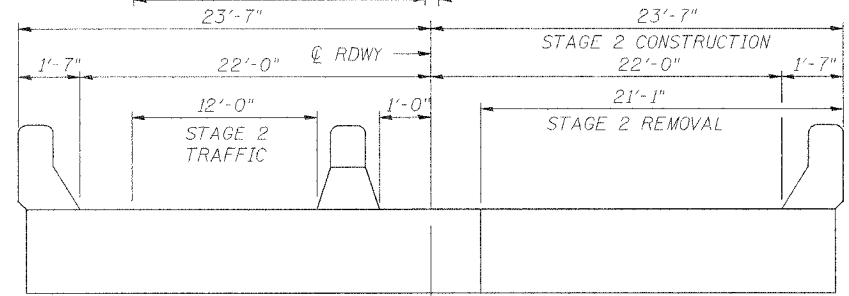


STAGE II CONSTRUCTION SEQUENCE

1. Construct south section of east abutment expansion joint.
2. Remove Standard 701321 using Standard 701201 and 701301.
3. Repair bituminous shoulder (if required) using Standard 701201 and 701301.
4. Place temporary pavement marking using Standard 701311.

SAND MODULE IMPACT ATTENUATOR (RELOCATE)

SN 089-0045 (STAGE 2)	EACH	24
TOTAL	TOTAL	24



TYP. SEC. THRU DECK

DESIGNED	M.R./R.A.
CHECKED	H.T.
DRAWN	J.S.P.
CHECKED	H.T./M.R.

TRAFFIC CONTROL PLAN
US 20 OVER PECATONICA RIVER
FAP ROUTE 301 (US20), SECTION (177-2B)M
STEPHENSON COUNTY
STATION 539+14.00
STRUCTURE NO. 089-0045

SCALE: NONE DATE: JANUARY, 2007
Soodan Soodan & Associates, Inc.
100 North LaSalle Street, Suite 1800
Chicago, Illinois 60602