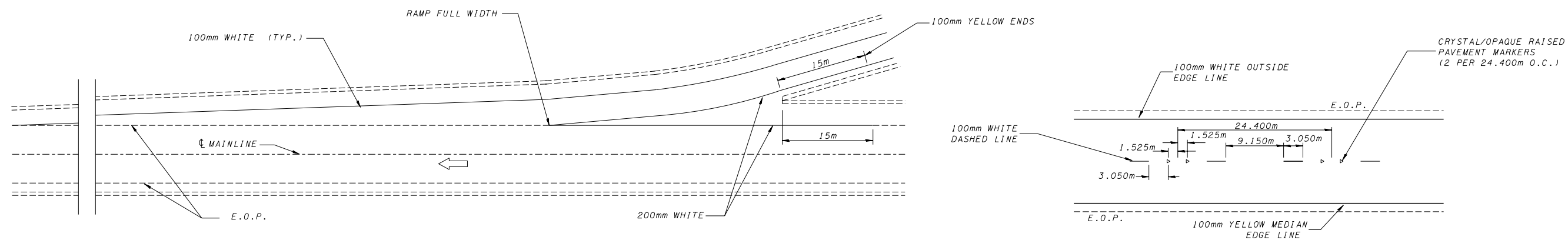


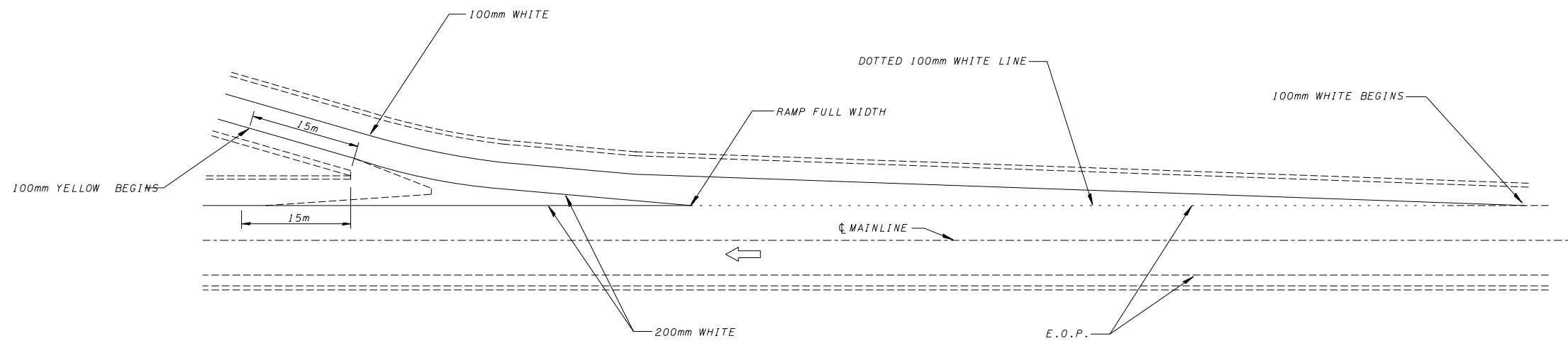
F.A. RTE.	SECTION	COUNTY	TOTAL SHEETS	SHEET NO.
55		McLEAN	87	55
STA.		TO STA.		
FED. ROAD DIST. NO.		ILLINOIS FED. AID PROJECT		

• (57-4)RS-3 & 1



TYPICAL PAVEMENT MARKING FOR ENTRANCE RAMP TERMINALS

TYPICAL PAVEMENT MARKINGS



TYPICAL PAVEMENT MARKINGS FOR EXIT RAMP TERMINALS

780-12

JAN. 1997
[DETAILS] 700799.DGN
780-12

DETAILS
F.A.I. 55
SECTION (57-4)RS-3 & 1
MCLEAN COUNTY