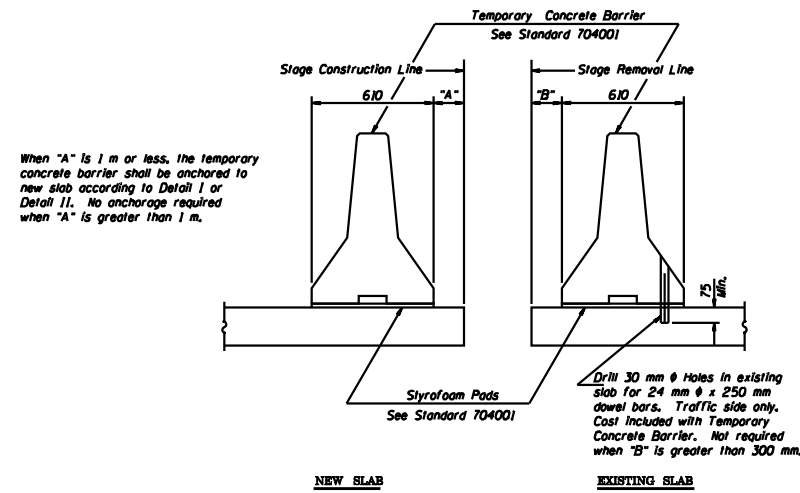


ROUTE NO.	SECTION	COUNTY	DATE	SHEET NO.
FAJ 55		McLEAN	07 68	10
FED. ROAD DIST. NO. 7		ILL. PROJ.	FED. AID PROJECT	10A SHEETS

• (57-4)RS-3 & 1

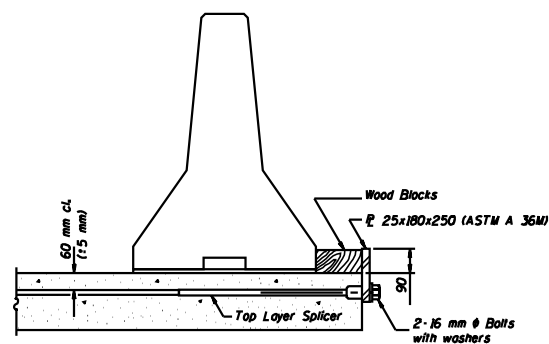


When "A" is 1 m or less, the temporary concrete barrier shall be anchored to new slab according to Detail I or Detail II. No anchorage required when "A" is greater than 1 m.

**NOTES**

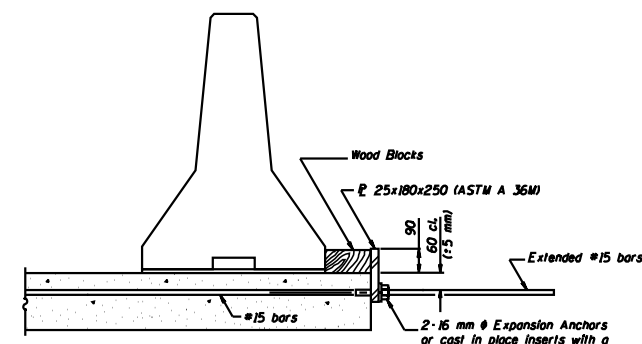
- Detail I - With Bar Splicer or Couplers  
Connect one (1) 25x180x250 steel  $\bar{E}$  to the top layer of couplers with 2-16 mm  $\phi$  bolts screwed to coupler at approximate  $\bar{E}$  of each 3 m barrier panel.
  - Detail II - With Extended Reinforcement Bars  
Connect one (1) 25x180x250 steel  $\bar{E}$  to the concrete slab with 2-16 mm  $\phi$  Expansion Anchors or cast in place inserts spaced between the top layer of reinforcement at approximate  $\bar{E}$  of each 3 m barrier panel.
- Cost of anchorage included with Temporary Concrete Barrier.  
All dimensions are in millimeters (mm) except as noted.

**SECTION THRU SLAB**



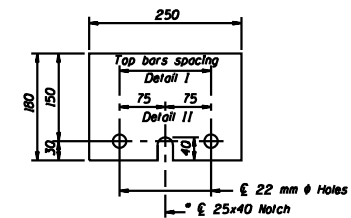
**DETAIL I**

The 25x180x250 Plate shall not be removed until Stage II Construction forms and reinforcement bars are in place.



**DETAIL II**

The 25x180x250 Plate shall not be removed until Stage II Construction forms and all reinforcement bars are in place and the concrete is ready to be placed.



**$\bar{E}$  25x180x250**

\* Required only with Detail II

DESIGNED	GAE
CHECKED	JDA
DRAWN	NO
CHECKED	GAE

**TEMPORARY CONCRETE BARRIER**  
**F.A.I. 55 OVER BUSINESS U.S. 51**  
**SECTION (57-4)RS-3 & 1**  
**McLEAN COUNTY**  
**SN 057-0024 (NB)**  
**SN 057-0025 (SB)**  
**STA. 37+474.206**