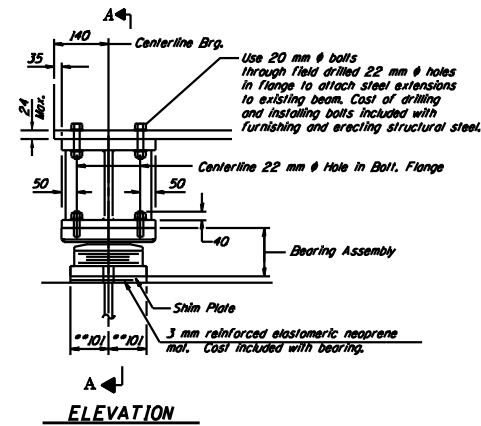


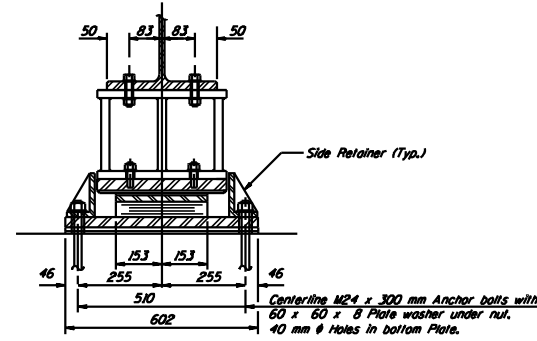
ROUTE NO.	SECTION	COUNTY	DATE	SHEET NO.
FAJ 55		MCLEAN	07	76
FED. ROAD DIST. NO. 7		ILL. HIGH.	FED. AID PROJECT	

SHEET NO. 8
14A SHEETS

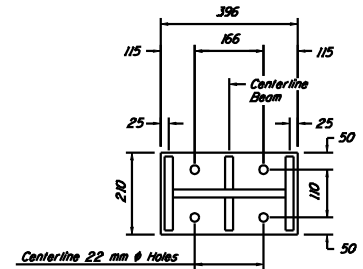
• (57-4)RS-3 & 1



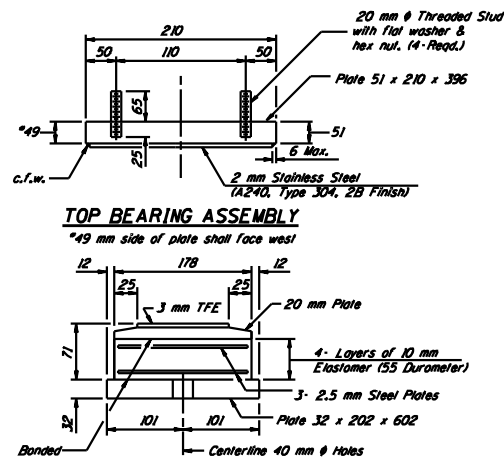
TYPE II ELASTOMERIC EXP. BRG.
(West Abut. A & C)



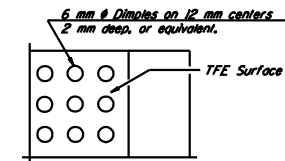
Notes: Diaphragm removal and replacement may be required to facilitate drilling holes. Cost shall be included in the cost of Furnishing and Erecting Structural Steel.
New steel extensions, side retainers, shim E's, connection bolts, and anchor bolts are included in Furnishing and Erecting Structural Steel.
See Sheet 14 of 14A for Anchor Bolt Installation.
All dimensions are in millimeters (mm) except as noted. Prior to ordering any material, the Contractor shall verify in the field all bearing height and shim thickness dimensions.



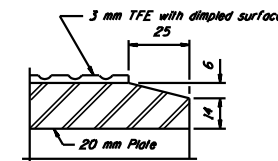
TOP & BOTTOM PLAN STEEL EXTENSION



BOTTOM BEARING ASSEMBLY

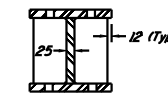


PLAN-TFE SURFACE

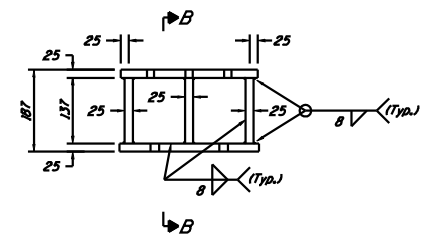


SECTION THRU TFE

Notes: The 3 mm TFE sheet shall be bonded directly to the top steel plate with a two-component, medium viscosity epoxy resin, conforming to the requirements of the Federal Specification MMM-A-134, Type 1. The bond agent shall be applied on the full area of the contact surfaces. Bonding of 3 mm TFE sheet during vulcanizing process will be permitted provided the process and method of adjusting assembly height is approved by the Engineer.



SECTION B-B



ELEVATION STEEL EXTENSION

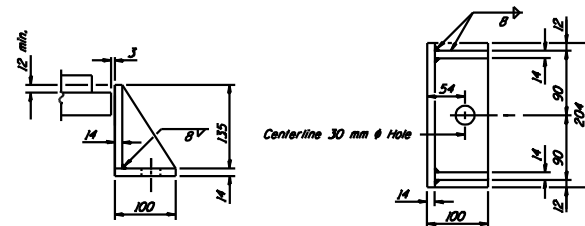
STEEL EXTENSION DETAILS

24 Required at Abutments A & C

BILL OF MATERIAL

Item	Unit	Total
Elastomeric Bearing Assembly Type II	Each	24
Furnishing and Erecting Structural Steel	kg	1810
Jack and Remove Existing Bearing	Each	24

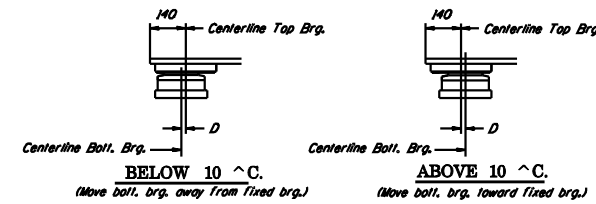
Note: Contractor shall field measure existing bearings and provide 202 x 602 shims as necessary.



SIDE RETAINER

Equivalent rolled angle with stiffeners will be allowed in lieu of welded plates. Weight included with Structural Steel. (No. Req'd 48 @ Abutments A & C)

DESIGNED	GAE
CHECKED	JDA
DRAWN	NO
CHECKED	GAE



**** SETTING ANCHOR BOLTS AT EXP. BRG.**

D = 1 mm per each 10 m of expansion for every 8 $^{\circ}$ C temp. change from the normal temp. of 10 $^{\circ}$ C.

BEARING DETAILS ABUTS. A & C
F.A.I. 55 OVER CONSTITUTION TRAIL
SECTION (57-4)RS-3 & 1
MCLEAN COUNTY
SN 057-0026 (NB)
SN 057-0027 (SB)
STA. 38+263.167