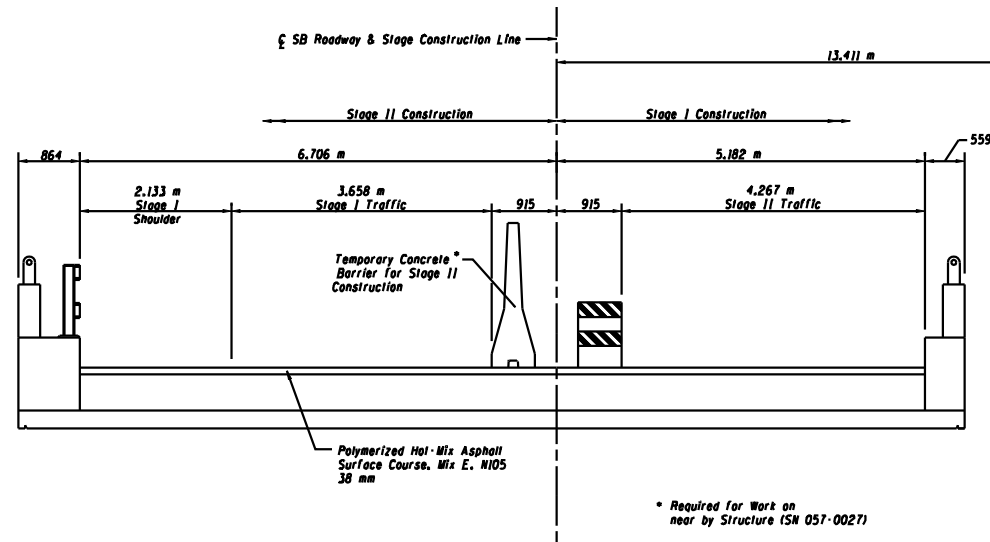
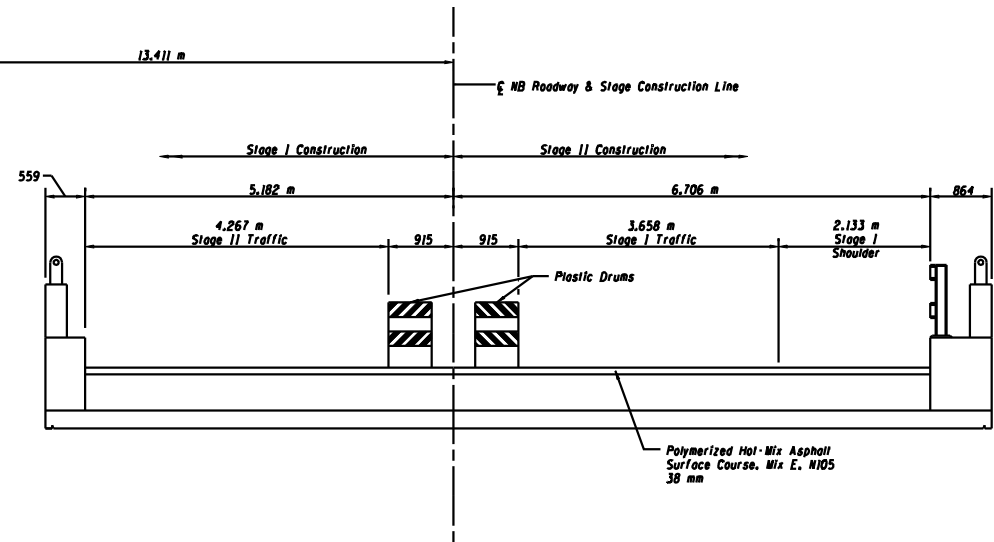


ROUTE NO.	SECTION	COUNTY	DATE	SHEET NO.
FAI 55	*	MCLEAN	07 04	2
FED. ROAD DIST. NO. 7		ILL. PROJ.	FED. AID PROJECT	5 SHEETS

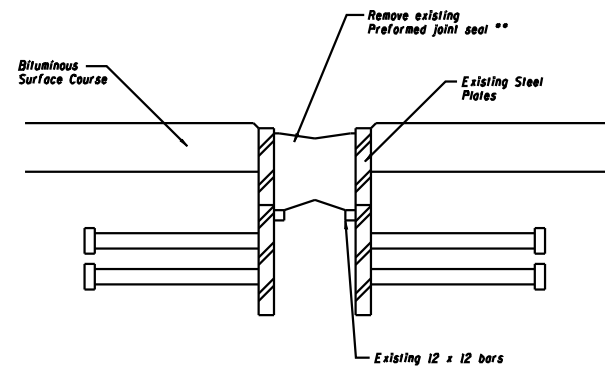
* (57-4)RS-3 & 1



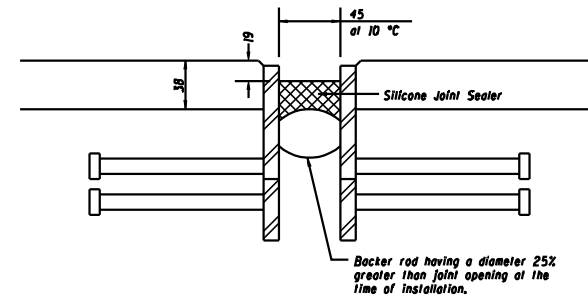
SOUTHBOUND
S.N. 057-0029 (SB)



NORTHBOUND
S.N. 057-0028 (NB)



EXISTING
PREFORMED JOINT SEAL



PROPOSED
SILICONE JOINT SEALER DETAIL

DESIGNED	JDA
CHECKED	JKC
DRAWN	NO
CHECKED	JDA

**STAGE CONSTRUCTION CROSS SECTIONS AND
EXPANSION JOINT REPLACEMENT DETAILS
F.A.I. 55 OVER LINDEN STREET
SECTION (57-4)RS-3 & 1
MCLEAN COUNTY
SN 057-0028 (NB)
SN 057-0029 (SB)
STA. 38+543.992**