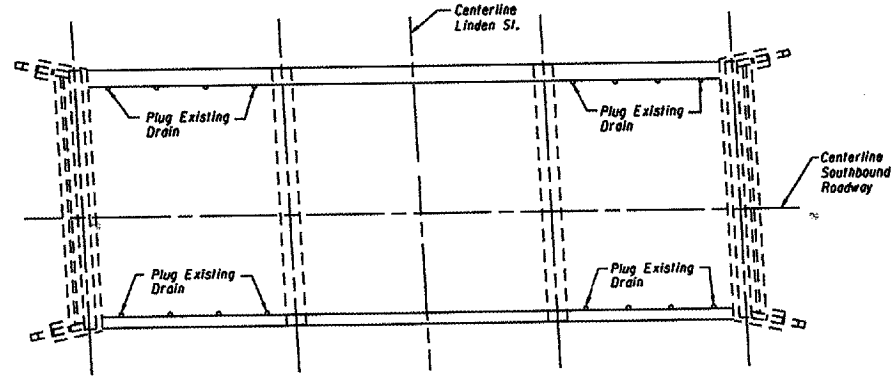
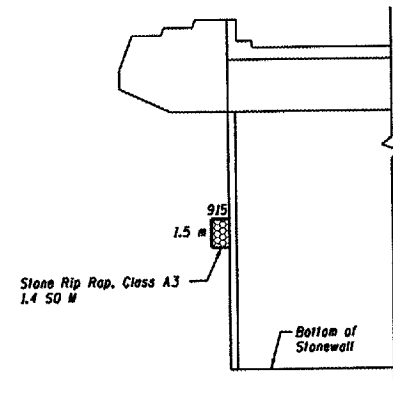


ROUTE NO.	SECTION	COUNTY	DATE	SHEET	SHEET NO. 3
FAI 55	#	McLEAN	87	85	5 SHEETS
FED. ROAD DIST. NO. 7	HALF MILES	FED. AID PROJECT			

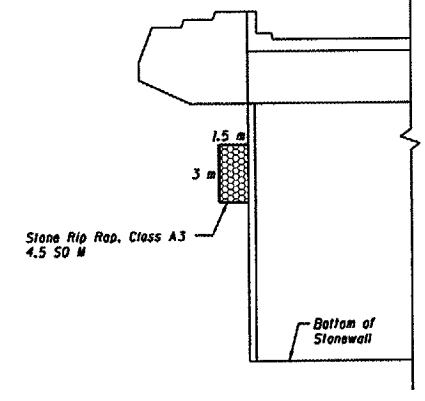
• (57-4)RS-3 & 1



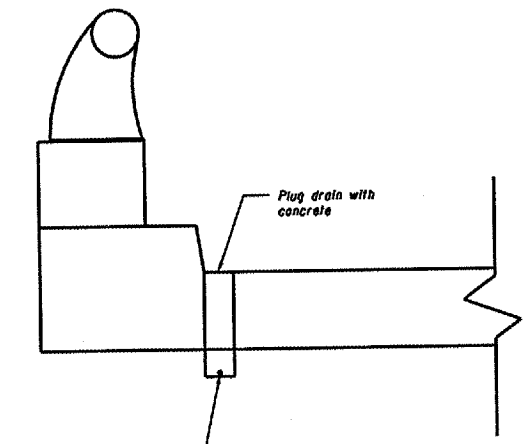
DECK DRAIN PLAN
SN 057-0029 (SB)
(SN 057-0028 (NB) Similar)



WEST SLOPEWALL, SOUTH END
SN 057-0028 (NB)

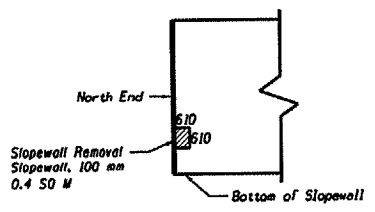


EAST SLOPEWALL, NORTH END
SN 057-0028 (NB)

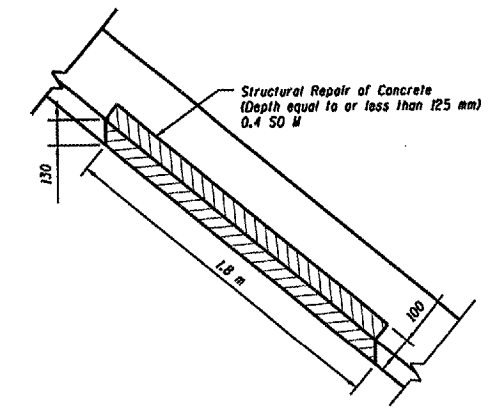


Field Drill 10 mm ϕ hole for 6 mm ϕ Threaded rod 330 mm long with nuts and washers. Cost of threaded rod, nuts, washers, concrete and labor shall be considered included in the cost for "Plug Deck Drain".

DETAIL FOR DRAINS TO BE PLUGGED



EAST SLOPEWALL
(Looking East)
SN 057-0029 (SB)
Welded Wire Fabric 152 x 152 - MW25.8 x MW25.8 with a mass of 2.51 kg/m². A length of 150mm of existing welded wire around the removal area shall be exposed in order to lap with the proposed welded wire fabric.



NORTH CURB OF BRIDGE DECK
SN 057-0029

DESIGNED	JDA
CHECKED	JKC
DRAWN	NQ
CHECKED	JDA

MISCELLANEOUS REPAIR DETAILS
F.A.I. 55 OVER LINDEN STREET
SECTION (57-4)RS-3 & 1
McLEAN COUNTY
SN 057-0028 (NB)
SN 057-0029 (SB)
STA. 38+543.992