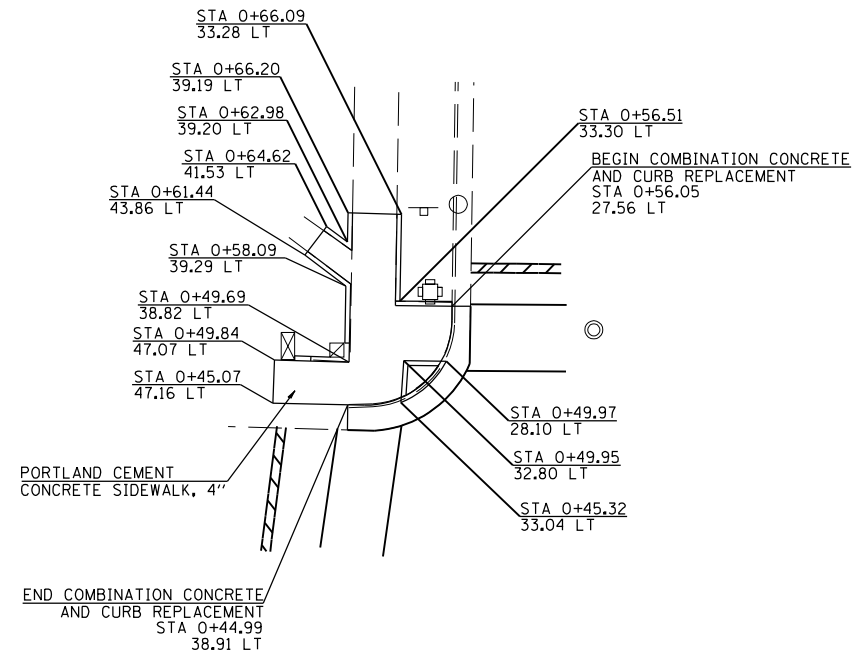
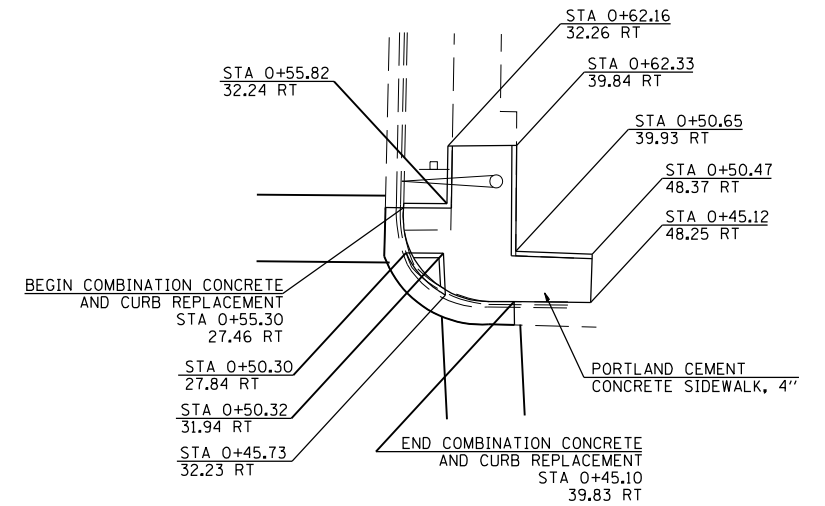


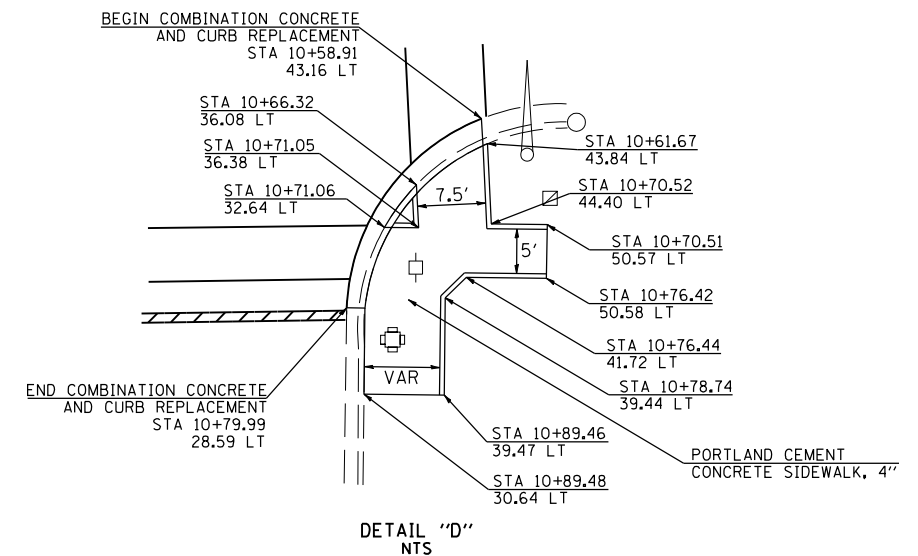
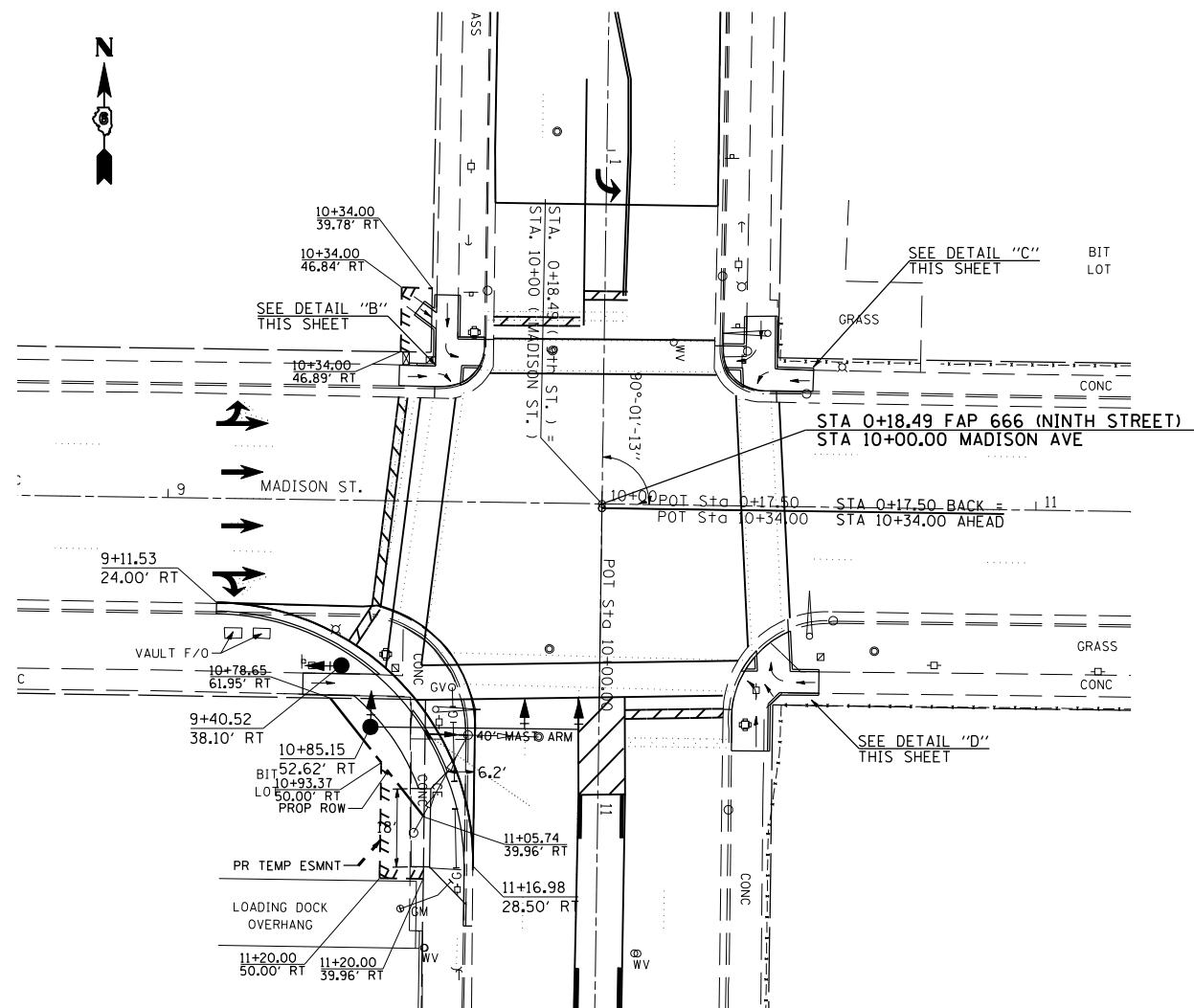
F.A.P. RTE.	SECTION	COUNTY	TOTAL SHEETS	SHEET NO.
666	ISP-Z/RS-4	SANGAMON	80	39
STA.		TO STA.		
FED. ROAD DIST. NO.	ILLINOIS	FED. AID PROJECT		



DETAIL "B" NTS



DETAIL "C" NTS



DETAIL "D" NTS

NOTE: ELEVATIONS LISTED ARE TO THE TOP BACK OF CURB UNLESS OTHERWISE SPECIFIED.

REVISIONS	
NAME	DATE

ILLINOIS DEPARTMENT OF TRANSPORTATION

DETAILS

FAP 666 (I-55 BUSINESS LOOP-NINTH STREET)

SCALE: VERT. _____
HORIZ. _____

DATE _____ DRAWN BY _____
CHECKED BY _____

PLOT DATE = \$DATE\$
FILE NAME = \$FILEL\$
PLOT SCALE = \$SCALE\$
USER NAME = \$USER\$

\$\$\$SUB\$