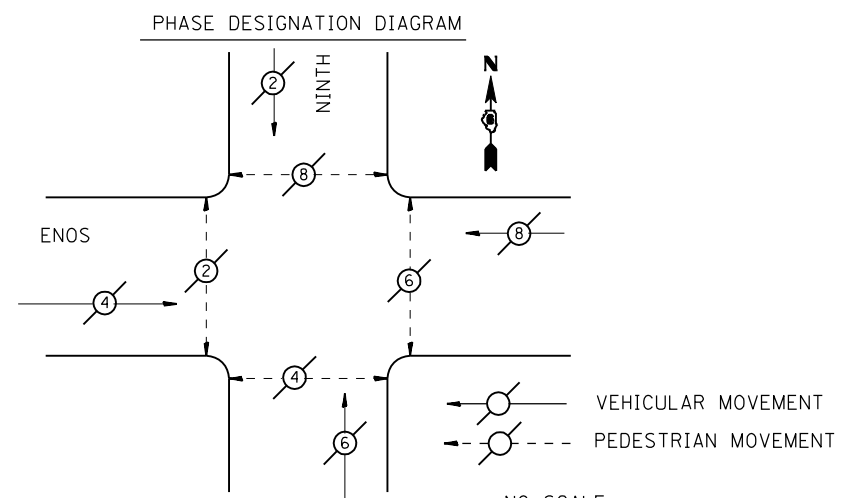
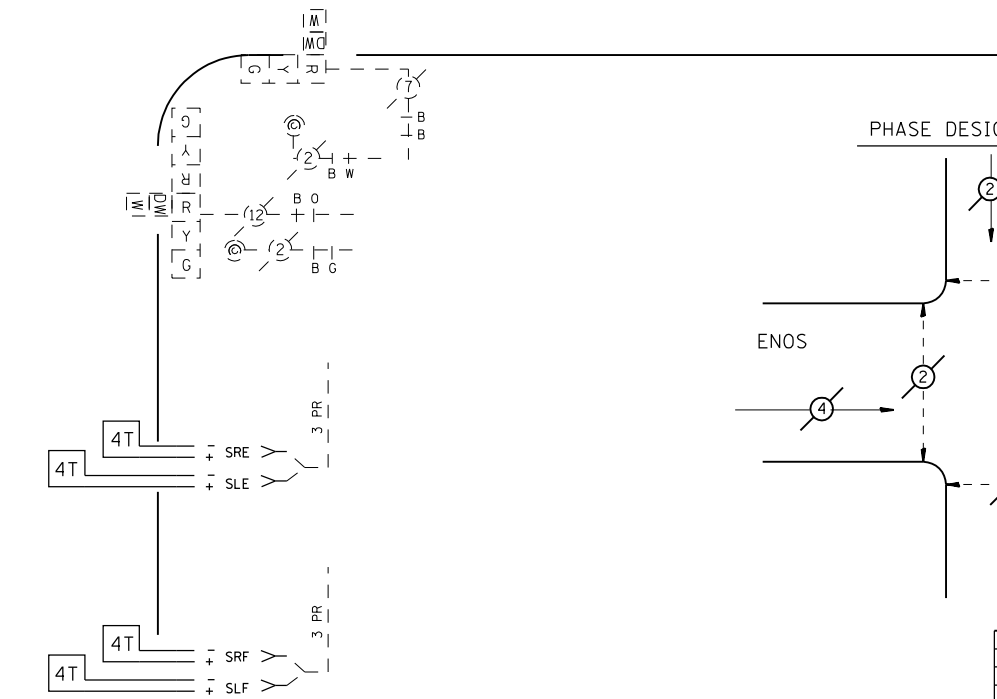
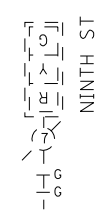
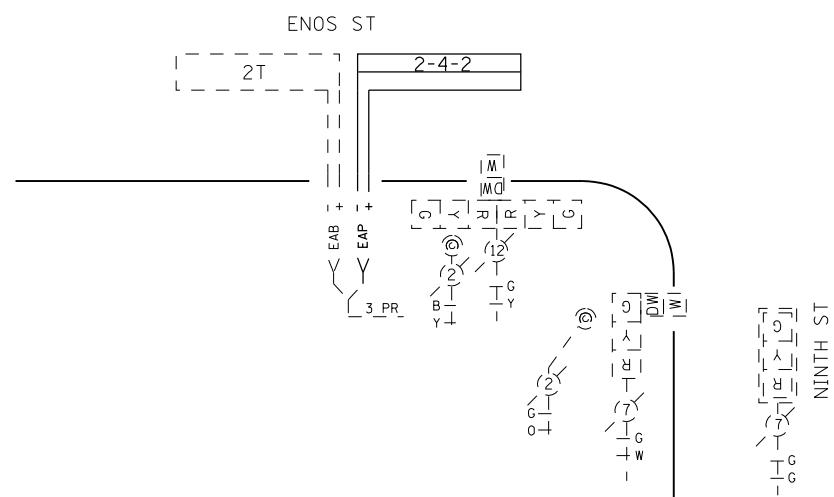
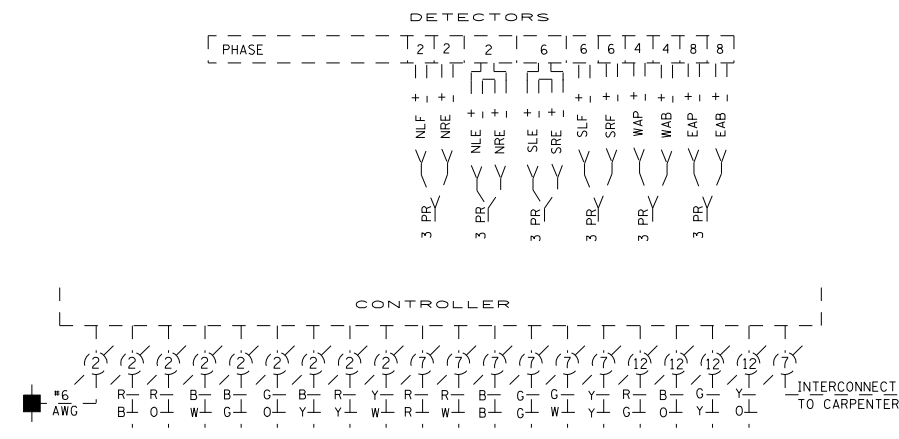


F.A.P. RTE.	SECTION	COUNTY	TOTAL SHEETS	SHEET NO.
666	SP-Z, RS-4	SANGAMON	80	63
STA.		TO STA.		
FED. ROAD DIST. NO.	ILLINOIS	FED. AID PROJECT		



REVISIONS	
NAME	DATE

ILLINOIS DEPARTMENT OF TRANSPORTATION

**TRAFFIC SIGNAL PLAN**

FAP ROUTE 666 (I-55 BUS/9TH STREET)

NINTH STREET AT ENOS STREET

SCALE: VERT. \_\_\_\_\_  
HORIZ. \_\_\_\_\_

DATE \_\_\_\_\_

DRAWN BY \_\_\_\_\_  
CHECKED BY \_\_\_\_\_

PLOT DATE = #DATE\$  
FILE NAME = #FILEL\$  
PLOT SCALE = #SCALE\$  
USER NAME = #USER\$

\$\$\$SUB\$