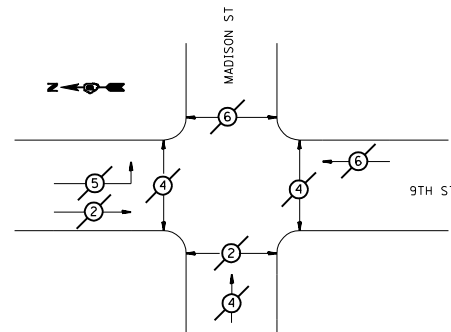


F.A.P. RTE.	SECTION	COUNTY	TOTAL SHEETS	SHEET NO.
666	SP-Z, RS-4	SANGAMON	80	67

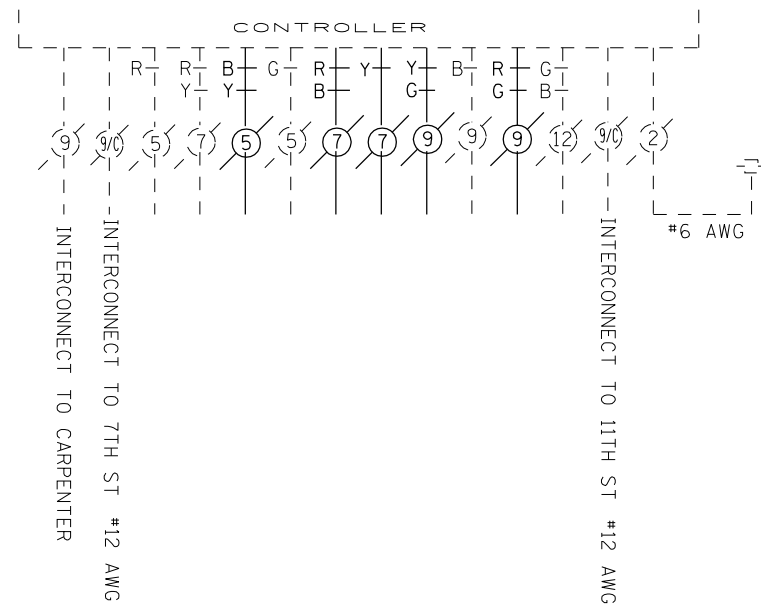
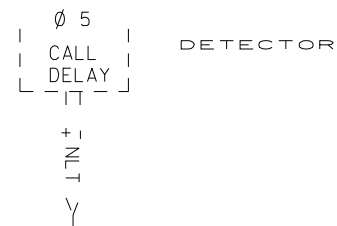
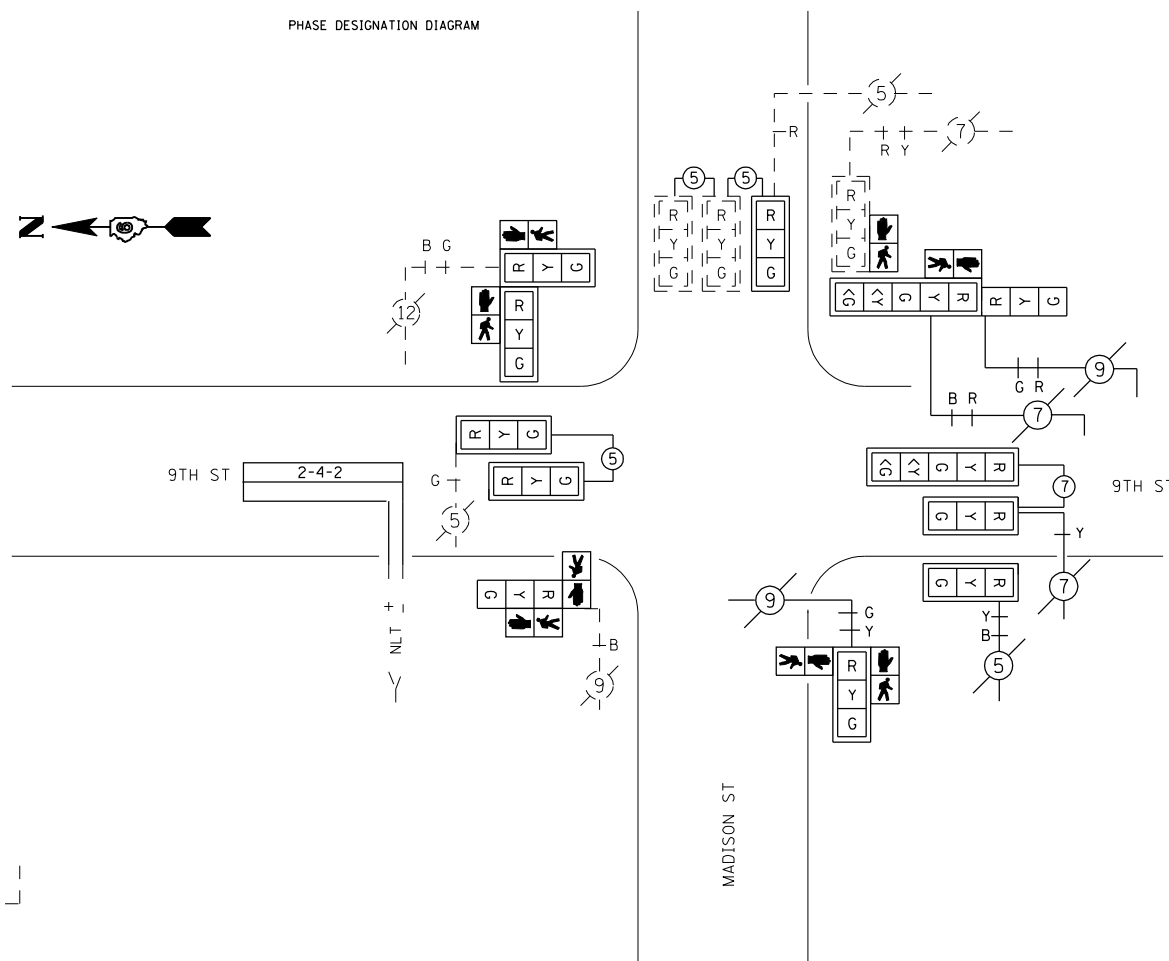
STA.	TO STA.
FED. ROAD DIST. NO.	ILLINOIS FED. AID PROJECT

REMOVE EXISTING TRAFFIC SIGNAL EQUIPMENT SHALL CONSIST OF:

SIGNAL HEAD ASSEMBLY	EACH	12
MAST ARM ASSEMBLY	EACH	1
TRAFFIC SIGNAL POST	EACH	1



PHASE DESIGNATION DIAGRAM



REVISIONS	
NAME	DATE

ILLINOIS DEPARTMENT OF TRANSPORTATION

**TRAFFIC SIGNAL PLAN**  
 FAP ROUTE 666 (I-55 BUS/9TH STREET)  
 NINTH STREET AT MADISON STREET

SCALE: VERT.  
 HORIZ.  
 DATE

DRAWN BY  
 CHECKED BY

PLOT DATE = \$DATE\$  
 FILE NAME = \$FILEL\$  
 PLOT SCALE = \$SCALE\$  
 USER NAME = \$USER\$

\$\$\$SUB\$