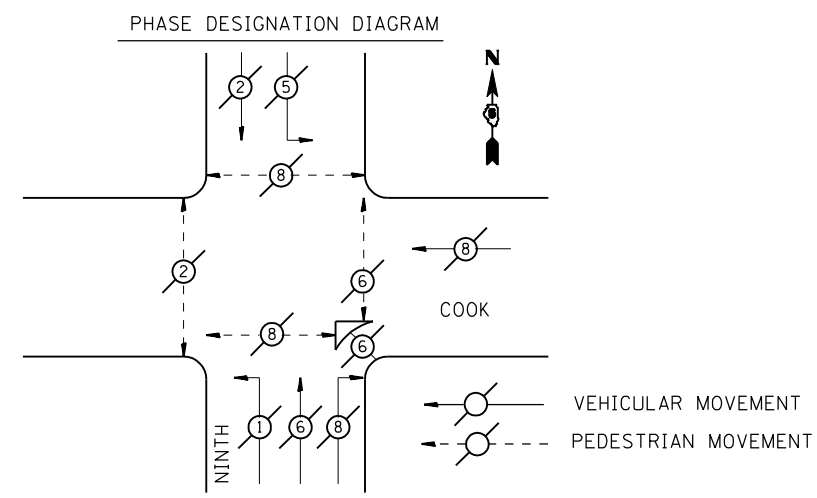
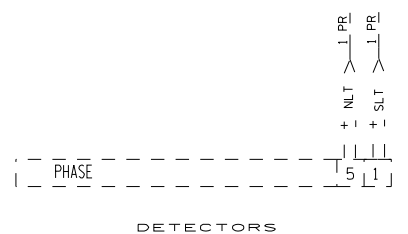
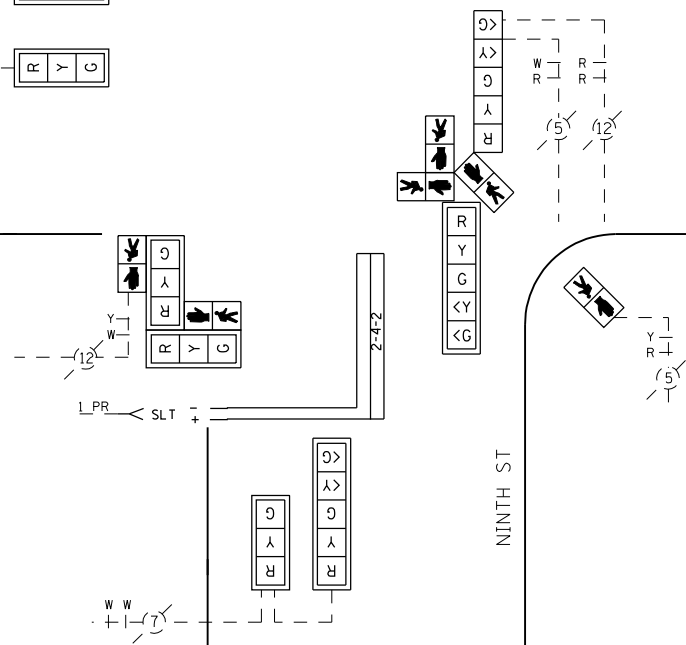
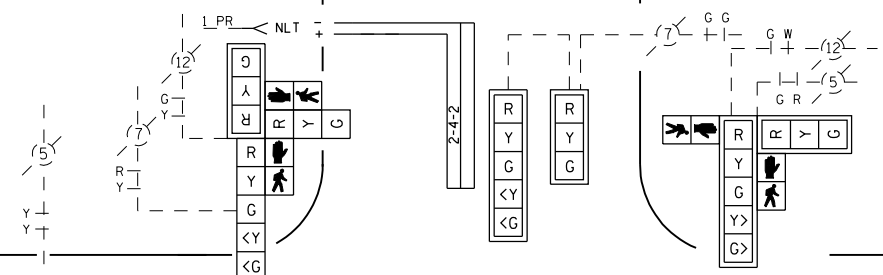
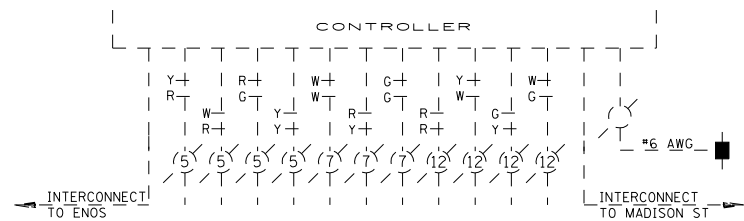


F.A.P. RTE.	SECTION	COUNTY	TOTAL SHEETS	SHEET NO.
666	SP-Z, RS-4	SANGAMON	80	73

STA.	TO STA.
FED. ROAD DIST. NO.	ILLINOIS FED. AID PROJECT



REVISIONS	
NAME	DATE

ILLINOIS DEPARTMENT OF TRANSPORTATION

TRAFFIC SIGNAL PLAN

FAP ROUTE 666 (I-55 BUS/9TH STREET)

NINTH STREET AT COOK STREET

SCALE: VERT. _____

HORIZ. _____

DATE _____

DRAWN BY _____

CHECKED BY _____

PLOT DATE = \$DATE\$

FILE NAME = \$FILEL\$

PLOT SCALE = \$SCALE\$

USER NAME = \$USER\$

\$\$\$SUB\$