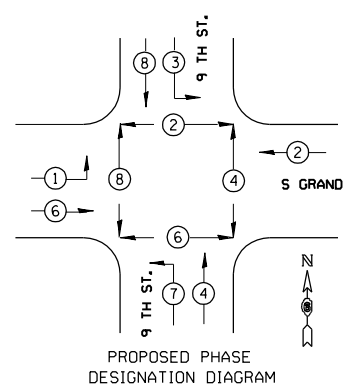
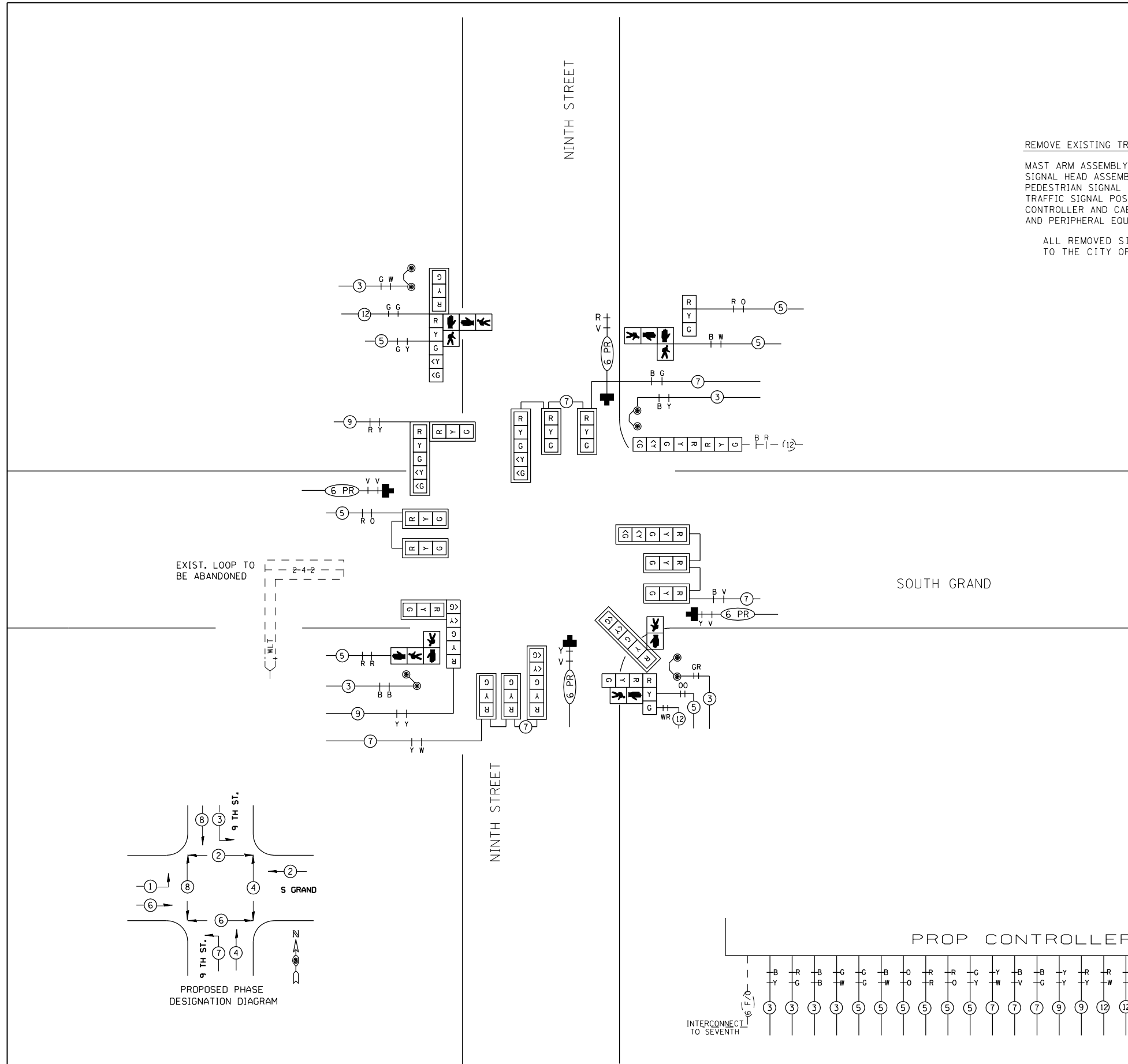


F.A.P. RTE.	SECTION	COUNTY	TOTAL SHEETS	SHEET NO.
666	SP-Z, RS-4	SANGAMON	80	75
STA.		TO STA.		
FED. ROAD DIST. NO.	ILLINOIS	FED. AID PROJECT		

REMOVE EXISTING TRAFFIC SIGNAL EQUIPMENT SHALL CONSIST OF:

MAST ARM ASSEMBLY AND POLE	EACH	4
SIGNAL HEAD ASSEMBLY	EACH	10
PEDESTRIAN SIGNAL HEAD ASSEMBLY	EACH	4
TRAFFIC SIGNAL POST	EACH	2
CONTROLLER AND CABINET AND PERIPHERAL EQUIP.	EACH	1

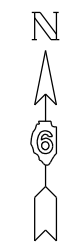
ALL REMOVED SIGNAL EQUIPMENT SHALL BE RETURNED TO THE CITY OF SPRINGFIELD



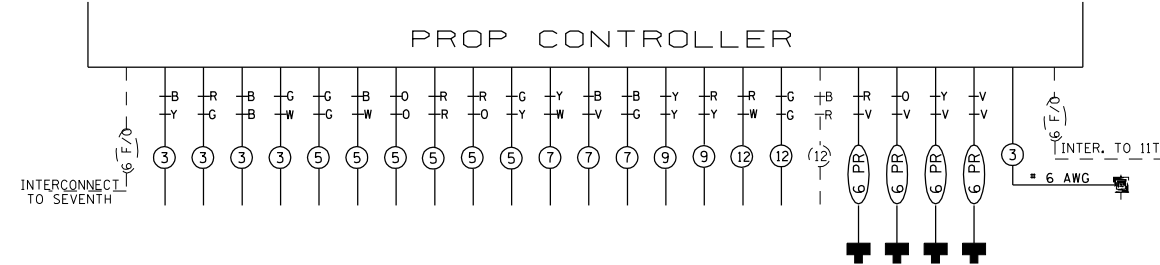
SOUTH GRAND

NINTH STREET

NINTH STREET



NOT TO SCALE



REVISIONS	
NAME	DATE

ILLINOIS DEPARTMENT OF TRANSPORTATION  
**TRAFFIC SIGNAL PLAN**  
 FAP ROUTE 666 (I-55 BUS/9TH STREET)  
 NINTH STREET AT SOUTH GRAND AVE  
 SCALE: VERT. \_\_\_\_\_  
 HORIZ. \_\_\_\_\_  
 DATE \_\_\_\_\_ DRAWN BY \_\_\_\_\_  
 CHECKED BY \_\_\_\_\_

PLOT DATE = \$DATE\$  
 FILE NAME = \$FILEL\$  
 PLOT SCALE = \$SCALE\$  
 USER NAME = \$USER\$

\$\$\$SUB\$\$\$