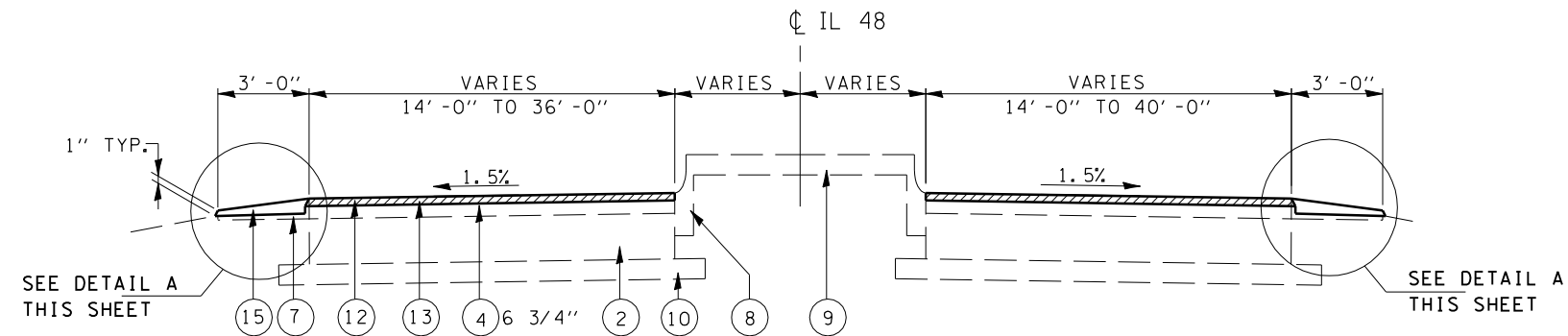
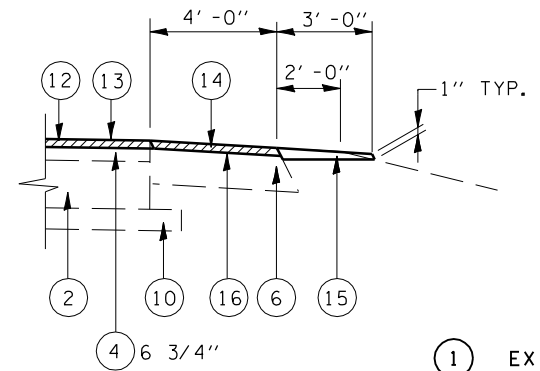


F.A.P. RTE.	SECTION	COUNTY	TOTAL SHEETS	SHEET NO.
714	(135)RS-6, TS	CHRISTIAN	47	14
STA.		TO STA.		
FED. ROAD DIST. NO.	ILLINOIS	FED. AID PROJECT		



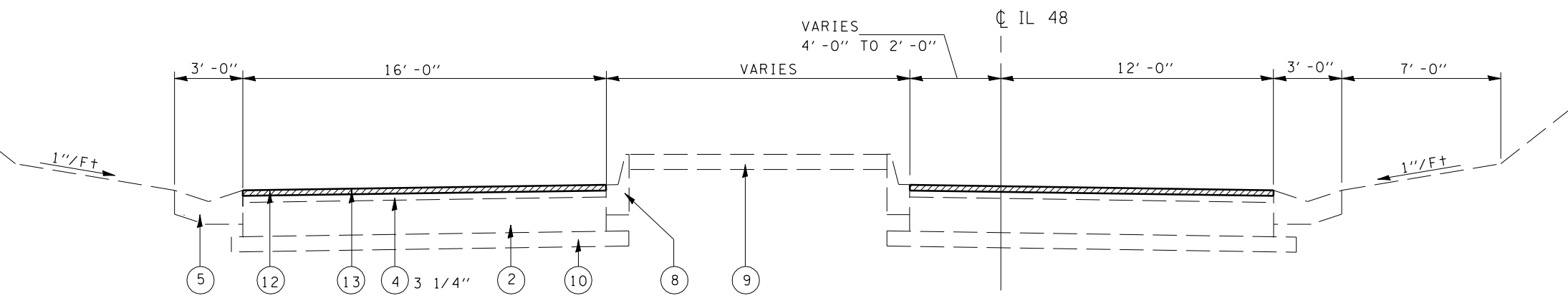
TYPICAL SECTION #6
FA 714
 STA. 73+86.00 TO STA. 87+51.00



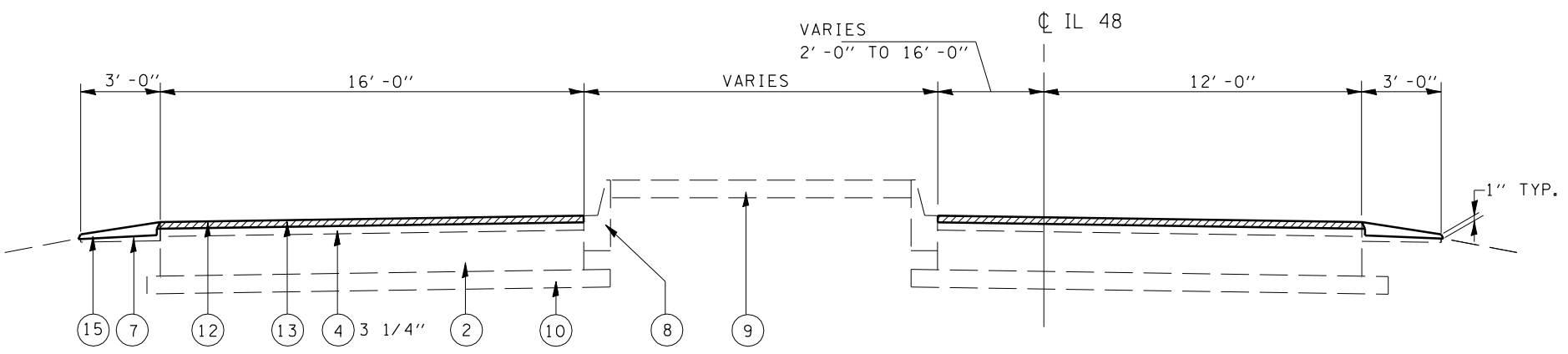
DETAIL A
 LIMITS OF EXISTING BITUMINOUS SHOULDERS:
 RT. STA. 75+81.00 TO STA. 82+42.55
 LT. STA. 79+14.00 TO STA. 85+82.00

LEGEND

- ① EXISTING 9" P.C.C. PAVEMENT
- ② EXISTING P.C.C. BASE COURSE 9"
- ③ EXISTING P.C.C. WIDENING
- ④ EXISTING BITUMINOUS CONCRETE OVERLAY
- ⑤ EXISTING GUTTER, TYPE A
- ⑥ EXISTING BITUMINOUS SHOULDER
- ⑦ EXISTING AGGREGATE SHOULDER, TYPE B
- ⑧ EXISTING CURB AND GUTTER
- ⑨ EXISTING CONCRETE MEDIAN SURFACE, 4"
- ⑩ EXISTING SUB-BASE GRANULAR MATERIAL
- ⑪ PROPOSED HOT-MIX ASPHALT SURFACE REMOVAL (VARIABLE DEPTH)
- ⑫ PROPOSED HOT-MIX ASPHALT SURFACE REMOVAL 1 1/2"
- ⑬ PROPOSED HOT-MIX ASPHALT SURFACE COURSE, MIX "D", N70 1 1/2"
- ⑭ PROPOSED HOT-MIX ASPHALT SHOULDER (2")
- ⑮ PROPOSED AGGREGATE SHOULDER, TYPE B
- ⑯ PROPOSED HOT-MIX ASPHALT SURFACE REMOVAL 2"



TYPICAL SECTION #5
FA 714
 STA. 48+00.00 TO STA. 50+59.00



TYPICAL SECTION #4
FA 714
 STA. 37+67.98 TO STA. 48+00.00

NOTES:

1. MILL 1/2" MIN. AT CL AND MAINTAIN 1.5% SLOPE ON TANGENT SECTIONS.
2. 1/2" AS REQUIRED TO MAINTAIN SUPER ELEVATED SECTION.

REVISIONS	
NAME	DATE
KWA	02/06/07

ILLINOIS DEPARTMENT OF TRANSPORTATION
TYPICAL CROSS SECTIONS
FAP ROUTE 714 (IL 48)
SECTION (135)RS-6, TS
CHRISTIAN COUNTY

SCALE: VERT. _____
 HORIZ. _____

DRAWN BY _____
 CHECKED BY _____

DGN-SPEC
 DATE-TIME
 REF01
 *REF-
 *REF-