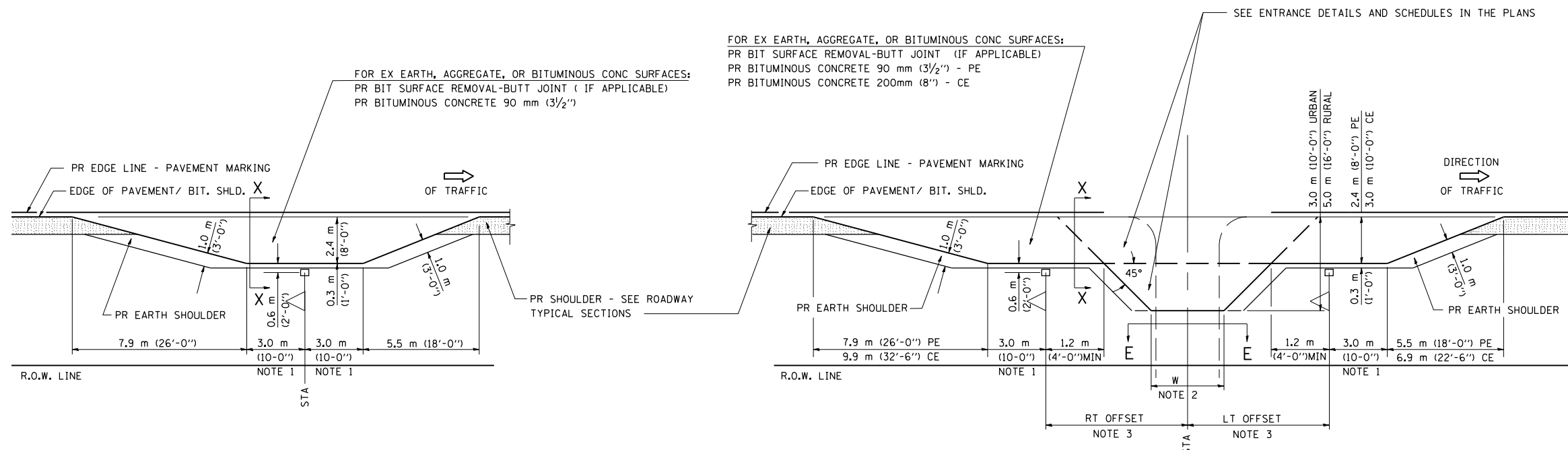


F.A.P. RTE.	SECTION	COUNTY	TOTAL SHEETS	SHEET NO.
714	(135)RS-6	CHRISTIAN	47	17
STA.		TO STA.		
FED. ROAD DIST. NO.	ILLINOIS	FED. AID PROJECT		

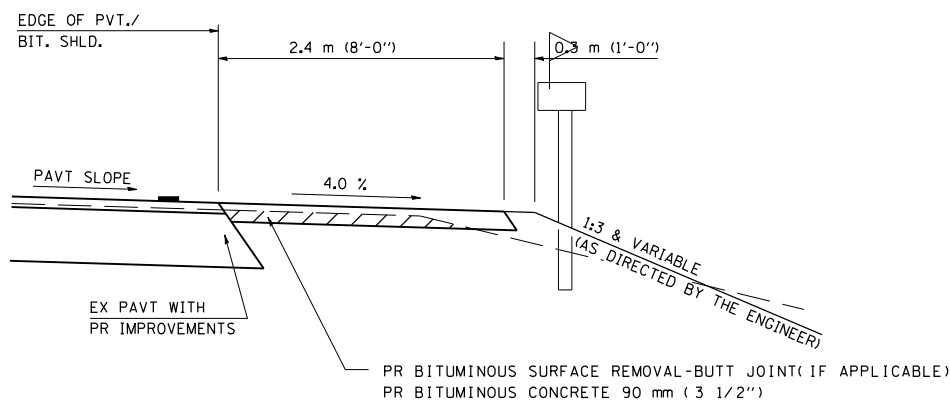
DIRECTION

DETAILS OF MAILBOX TURNOUTS



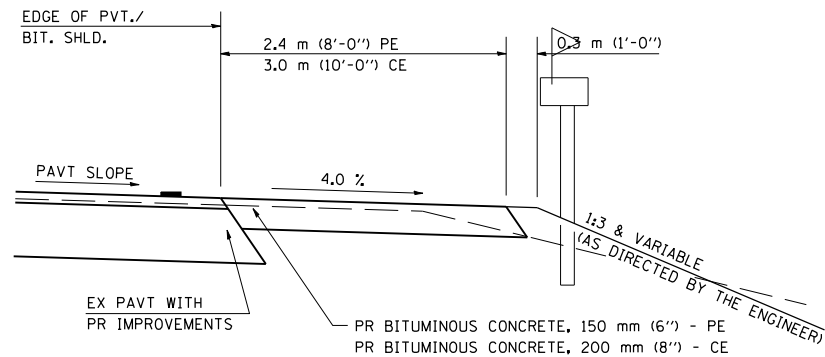
PLAN - MAILBOX TURNOUTS

PLAN - COMBINED MAILBOX TURNOUT WITH TRAILING OR LEADING ENTRANCE



SECTION X-X THRU MAILBOX TURNOUT
 ALSO APPLIES TO MAILBOX TURNOUTS COMBINED WITH
 EX EARTH, AGGREGATE, OR BITUMINOUS PE & FE

(DETAIL APPLIES WHEN M.B. TURNOUT DOES NOT EXIST.
 IF EXISTING, TREAT SAME AS ENTRANCE.)



SECTION X-X THRU MAILBOX TURNOUT
 COMBINED WITH EX BITUMINOUS CONC & PC CONC PE & CE

(DETAIL APPLIES WHEN M.B. TURNOUT DOES NOT EXIST.
 IF EXISTING, TREAT SAME AS ENTRANCE.)

- NOTE 1 IF MORE THAN ONE MAILBOX IS PRESENT, DIMENSION FROM CENTER OF END MAILBOX.
- NOTE 2 FOR ENTRANCE LAYOUT DIMENSIONS AND SECTIONS A-A & E-E REFER TO THE SCHEDULES IN THE PLANS.
- NOTE 3 BOTH LT OR RT OFFSETS FOR MAILBOX SHOWN USE OFFSET DIMENSION PER SCHEDULE AND REFER TO LAYOUT SHOWN ON THE PLAN.

ALL DIMENSIONS ARE IN MILLIMETERS (INCHES)
 UNLESS OTHERWISE SHOWN.

SHEET 2 OF 3

REVISIONS	
NAME	DATE
JCN	2/19/03
JCN	4/01/04

ILLINOIS DEPARTMENT OF TRANSPORTATION
DISTRICT SIX
ENTRANCE, MAILBOX TURNOUT
& SIDEROADS
W/ O CONCRETE GUTTER
(PPP - PROJECTS)

SCALE: VERT.
 HORIZ.
 DATE: FEBRUARY 23, 1999

DRAWN BY CADD
 CHECKED BY JCN

PLOT DATE = \$DATE\$
 FILE NAME = \$FILEL\$
 PLOT SCALE = \$SCALE\$
 USER NAME = \$USER\$

ENT PPP