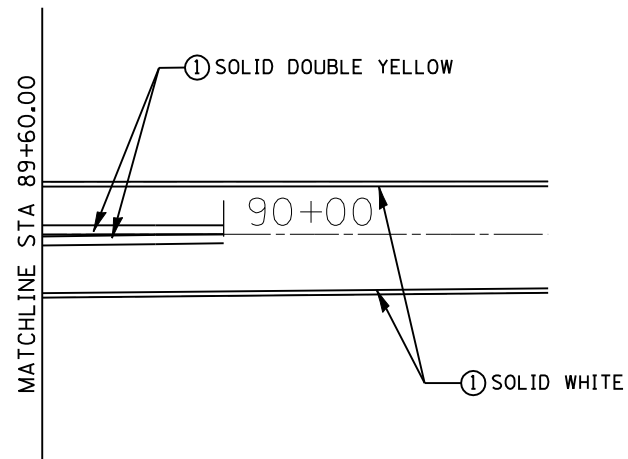
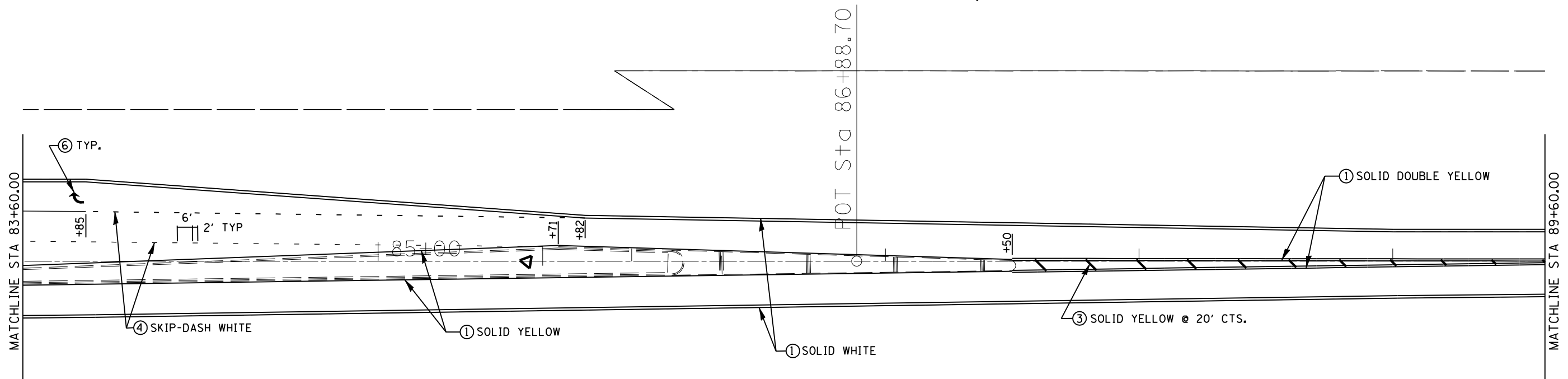


F.A.P. RTE.	SECTION	COUNTY	TOTAL SHEETS	SHEET NO.
714	(135)RS-6,TS	CHRISTIAN	47	35
STA.		TO STA.		
FED. ROAD DIST. NO.	ILLINOIS	FED. AID PROJECT		

LEGEND

- ① THERMOPLASTIC PAVEMENT MARKING - LINE 5"
- ② THERMOPLASTIC PAVEMENT MARKING - LINE 8"
- ③ THERMOPLASTIC PAVEMENT MARKING - LINE 12"
- ④ PREFORMED PLASTIC PAVEMENT MARKING, TYPE B - LINE 6"
- ⑤ PREFORMED PLASTIC PAVEMENT MARKING, TYPE B - LINE 24"
- ⑥ PREFORMED PLASTIC PAVEMENT MARKING, TYPE B - LETTERS AND SYMBOLS



REVISIONS	
NAME	DATE

ILLINOIS DEPARTMENT OF TRANSPORTATION
INTERSECTION OF IL 48 AND NOKOMIS RD.
PAVEMENT MARKING
FAP ROUTE 714 (IL 48)
SECTION (135)RS-6, TS
CHRISTIAN COUNTY

SCALE: VERT. _____
 HORIZ. _____

DATE _____ DRAWN BY _____
 CHECKED BY _____

PLOT DATE : \$DATE\$
 FILE NAME : \$FILEL\$
 PLOT SCALE : \$SCALE\$
 USER NAME : \$USER\$