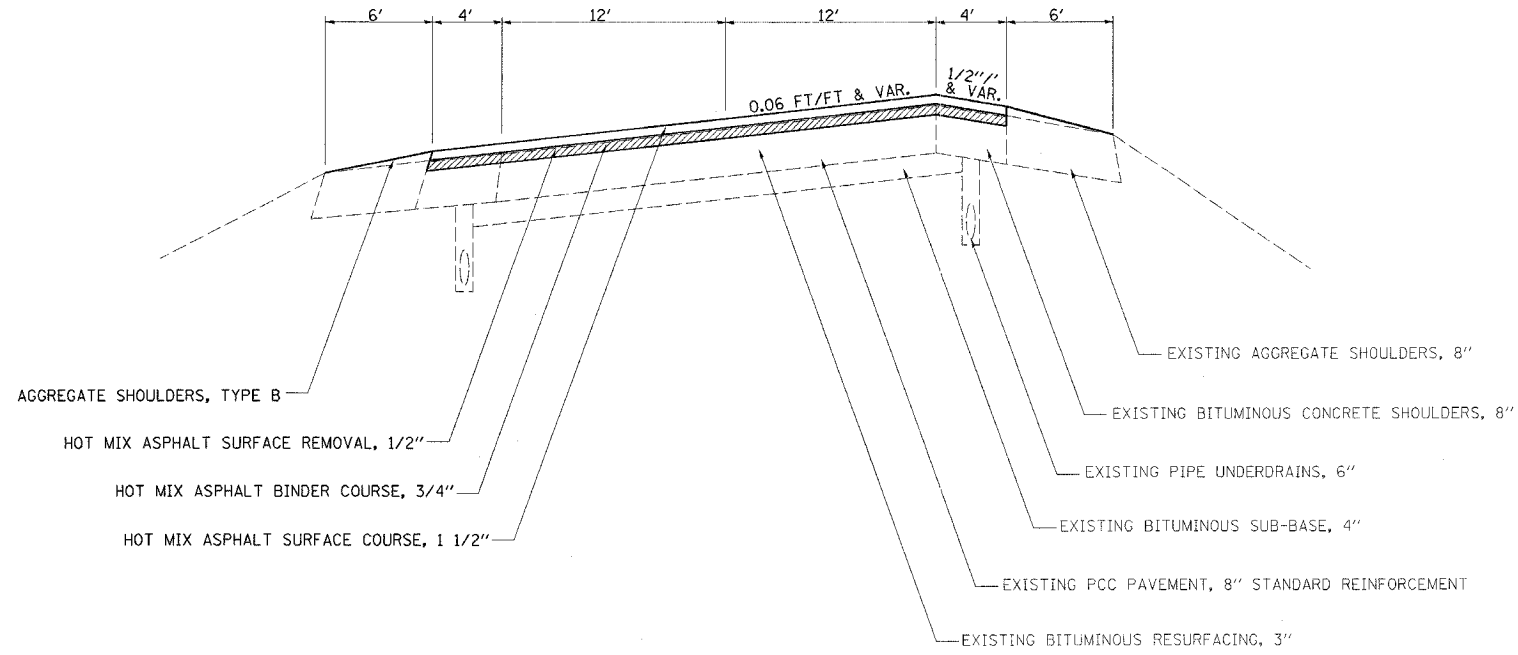
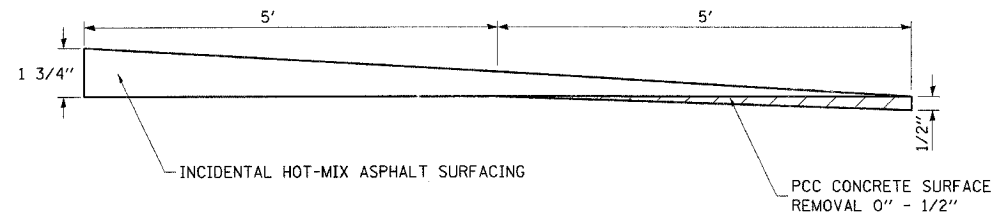


F.A.P. RTE.	SECTION	COUNTY	TOTAL SHEETS	SHEET NO.
320		MACON	31	5
STA.		TO STA.		
FED. ROAD DIST. NO.		ILLINOIS FED. AID PROJECT		
• (10)RS-3, 101B-1				

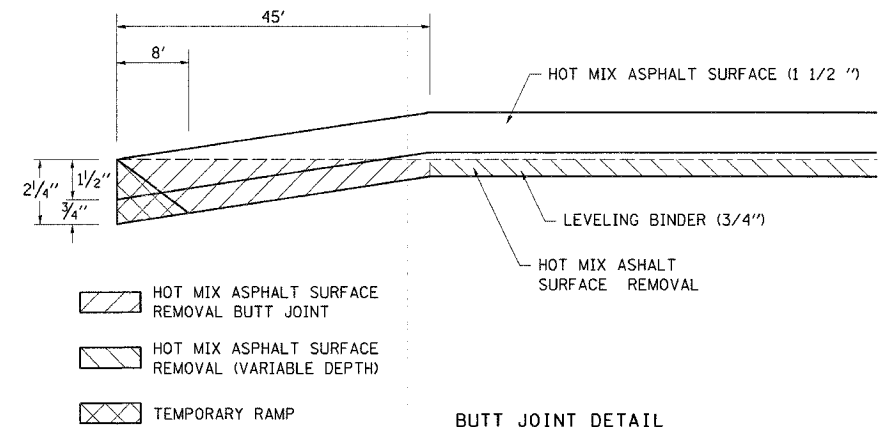


STATION EQUATION
 STA 236+89.79BK = STA 236+7.58AH
 STA 236+73.58 TO STA 264+13.49

NOTE: THE ALGEBRAIC DIFFERENCE BETWEEN THE PAVEMENT AND SHOULDER SLOPES SHALL NOT EXCEED 0.08 FT/FT



BUTT JOINT DETAIL
 STA 274+60 RT



BUTT JOINT DETAIL
 STA 869+04.2 TO STA 869+49.2
 STA 286+86.55 TO STA 287+31.55

REVISIONS	
NAME	DATE

ILLINOIS DEPARTMENT OF TRANSPORTATION
TYPICAL SECTIONS & BUTT JOINT DETAILS

SCALE: VERT. _____
 HORIZ. _____
 DATE _____
 DRAWN BY _____
 CHECKED BY _____

PLOT DATE = 2/13/2007
 FILE NAME = c:\p\proj\mva\4225d\hwy\typsec\74225.dgn
 PLOT SCALE = 50/2000 / IN
 USER NAME = wongjgk