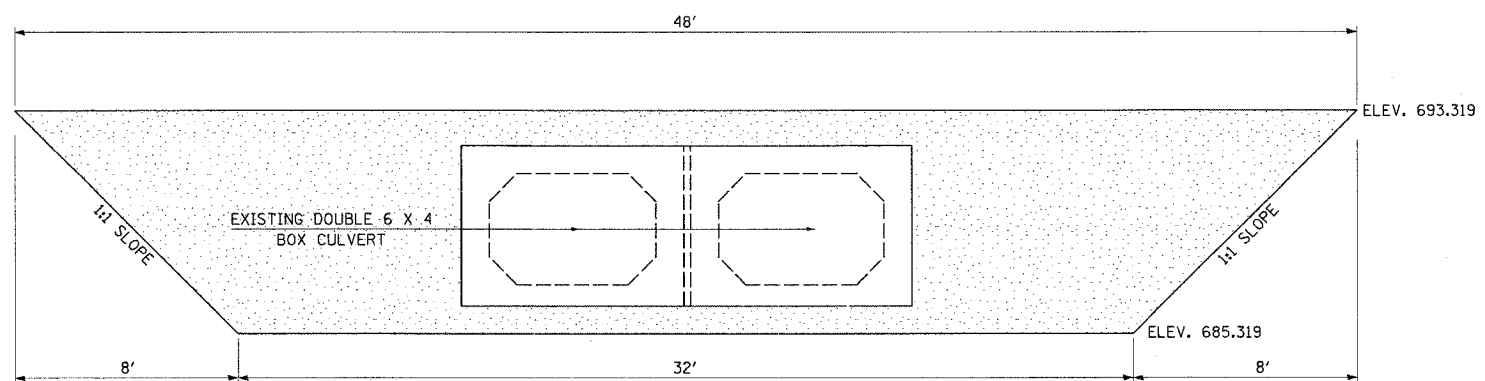

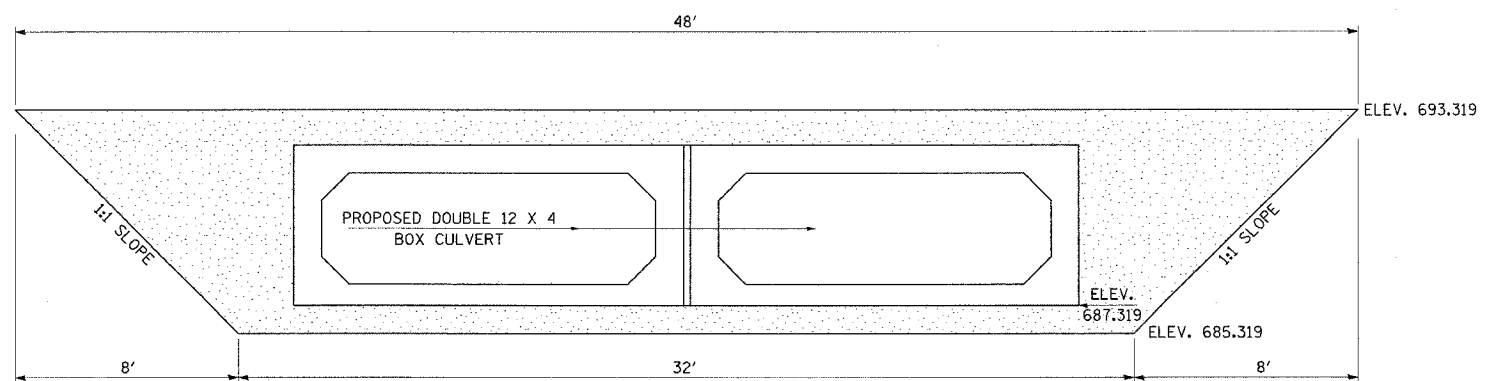


F.A.P. RTE.	SECTION	COUNTY	TOTAL SHEETS	SHEET NO.
320		MACON	31	30
STA.	TO STA.			
FED. ROAD DIST. NO.	ILLINOIS	FED. AID PROJECT		
• (101)RS-3, 101B-1				



STAGE I RETENTION

 AREA RETAINED 224 SQ FT



STAGE I RETENTION

PLOT DATE = #DATE\*  
 FILE NAME = #FILEL\*  
 USER NAME = #USER\*

REVISIONS	
NAME	DATE

ILLINOIS DEPARTMENT OF TRANSPORTATION  
 TEMPORARY SOIL RETENTION  
 AREA DETAIL

SCALE: VERT. \_\_\_\_\_  
 HORIZ. \_\_\_\_\_  
 DATE \_\_\_\_\_ DRAWN BY \_\_\_\_\_  
 CHECKED BY \_\_\_\_\_