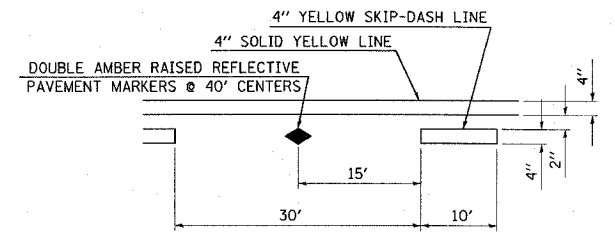


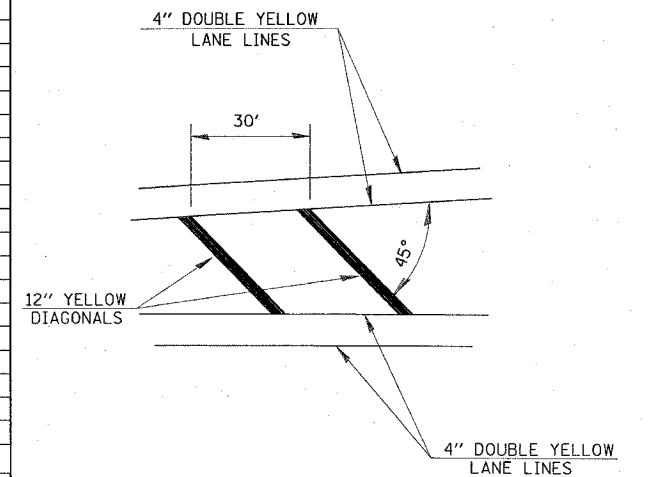
F.A.P. RTE.	SECTION	COUNTY	TOTAL SHEETS	SHEET NO.
793	T-2-1	MADISON	41	4
STA. _____ TO STA. _____		FED. ROAD DIST. NO. _____ ILLINOIS FED. AID PROJECT		

PAVEMENT MARKING SCHEDULE

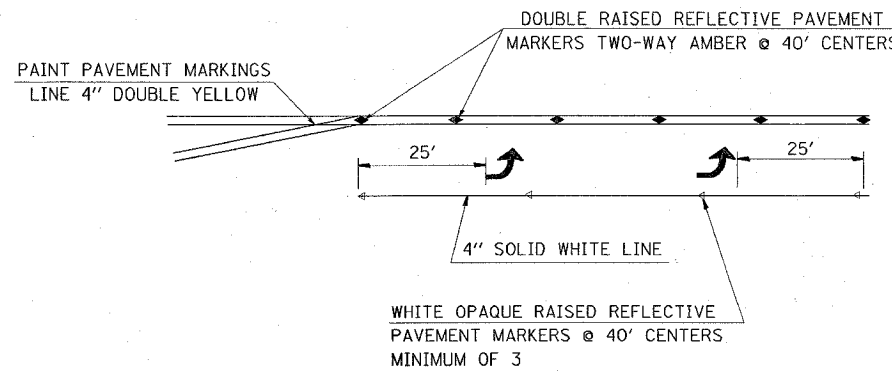
LOCATION	LENGTH (FT)	PAINT						RAISED REFLECTIVE PAVEMENT MARKERS				WORK ZONE PAVEMENT MARKING REMOVAL (SQ FT)	
		LINE 12"		LETTERS AND SYMBOLS (SQFT)	AUX SKIP-DASH 4"	SOLID LINE 4"		SKIP-DASH YELLOW 4"	DOUBLE AMBER (EACH)	AMBER TWO-WAY (EACH)	CRYSTAL ONE-WAY (EACH)		REMOVAL (EACH)
		(YELLOW) (FT)	WHITE (FT)			(YELLOW) (FT)	(WHITE) (FT)						
STA. 422+88.02				4									
STA. 423+45.36				4									
ENTRANCE				3									
STA. 428+73.95				4									
STA. 429+31.03				4									
STA. 426+91.04				4									
STA. 427+48.12				4									
STA. 412+42.42 TO STA. 439+09.89												34	
NO PASSING ZONE													
STA. 412+42.42 TO STA. 416+42.42						400		100	6				
STA. 435+09.89 TO STA. 439+09.89						400		100	6				
EDGE LINE													
STA. 416+42.42 TO STA. 435+09.89		300.0					1868			90.0			4297
STA. 420+97.90 TO STA. 422+62.90					41								
STA. 425+01.04 TO STA. 426+66.04					41								
STA. 422+88.02 TO STA. 423+77.90								23					
STA. 428+66.04 TO STA. 429+64.04								25					
FIRST ISLAND													
STA. 416+42.42 TO STA. 423+77.90							1469						
STA. 416+42.42 TO STA. 423+77.90							1241						
SECOND ISLAND													
STA. 424+36.66 TO STA. 429+64.04							1055						
STA. 424+36.66 TO STA. 428+66.04							459						
THIRD ISLAND													
STA. 430+18.41 TO STA. 435+09.89							983						
WEST ENTRANCE													
STA. 424+04.50			35.0				55	44					
EAST ENTRANCE													
STA. 429+92.83			18.0				41						
TURN LANES													
STA. 422+62.90 TO STA. 423+77.90								117		4			
STA. 426+66.04 TO STA. 429+64.04								298		8			
COLUMN TOTALS:		300	53	26	82	6103	2375	200	12	90	12	34	4297
TOTALS		355		26		8760			12	90	12	34	4297



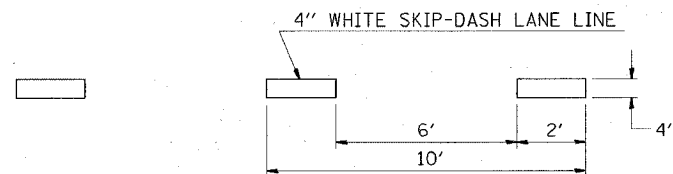
TYPICAL APPLICATION FOR BI-DIRECTIONAL TURN LANE WITH RAISED REFLECTIVE PAVEMENT MARKERS



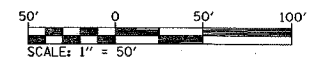
TYPICAL APPLICATION FOR MEDIAN STRIPING



TYPICAL APPLICATION FOR LEFT TURN LANE



TYPICAL APPLICATION FOR WHITE SKIP-DASH AUX LANE LINE



ILLINOIS DEPARTMENT OF TRANSPORTATION
 PAVEMENT MARKING SCHEDULE
 FAI ROUTE 64
 SECTION 82-7RS-1, 82-7HB, 21
 ST. CLAIR COUNTY

REVISIONS	
NAME	DATE

DRAWN BY:
 PLOT DATE: _DATE-TIME_

PLAN SURVEYED _____ DATE _____
 ADJUSTED _____
 CHECKED _____
 BY: _____
 NO. _____

DATE-TIME
 DATE-TIME
 DATE-TIME