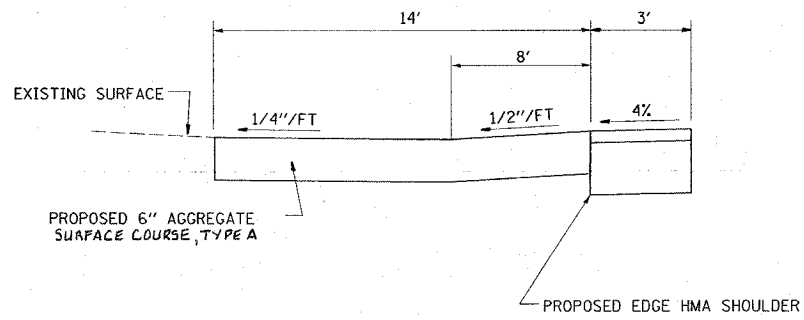
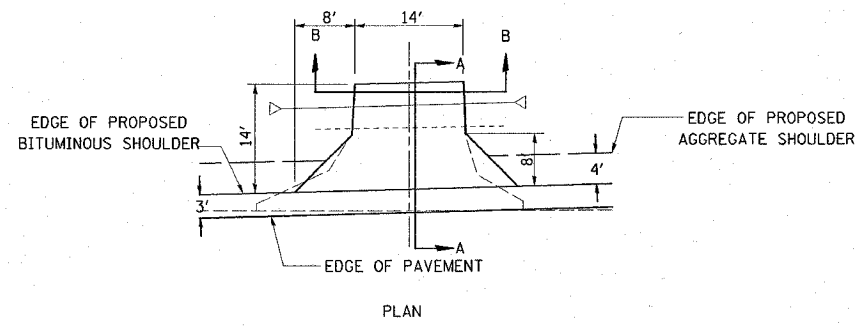
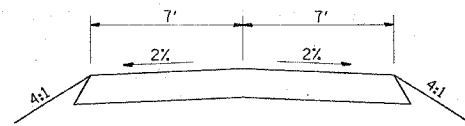


F.A.P. RTE.	SECTION	COUNTY	TOTAL SHEETS	SHEET NO.
793	T-2-I	MADISON	41	19
STA. _____		TO STA. _____		
FED. ROAD DIST. NO. _____ ILLINOIS FED. AID PROJECT				

PRIVATE ENTRANCE

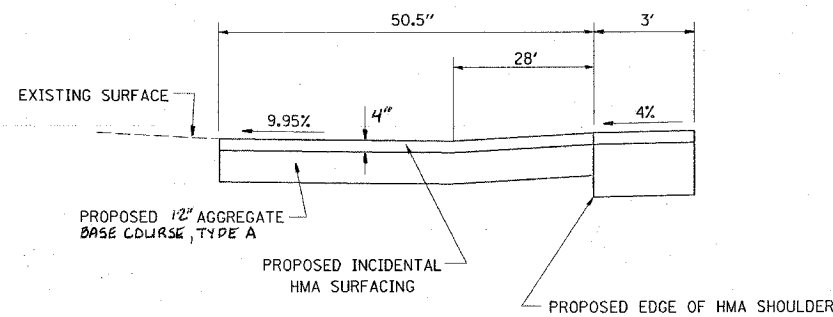
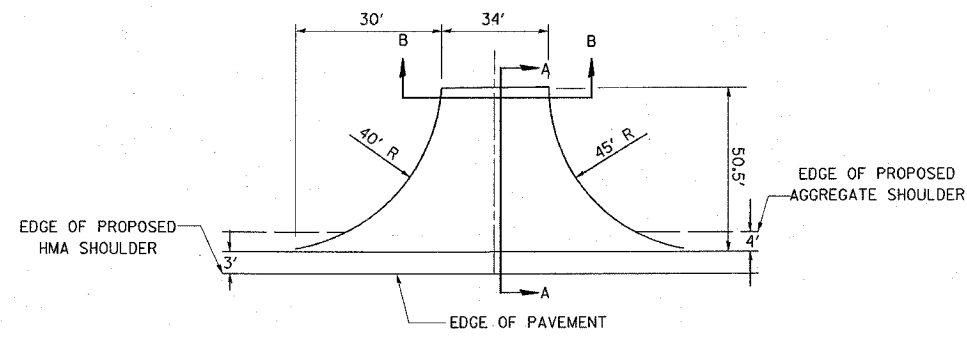


SECTION A-A

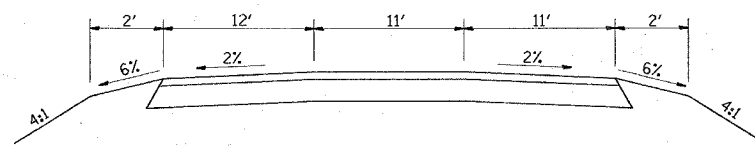


SECTION B-B

WEST ENTRANCE STA. 424+04.51

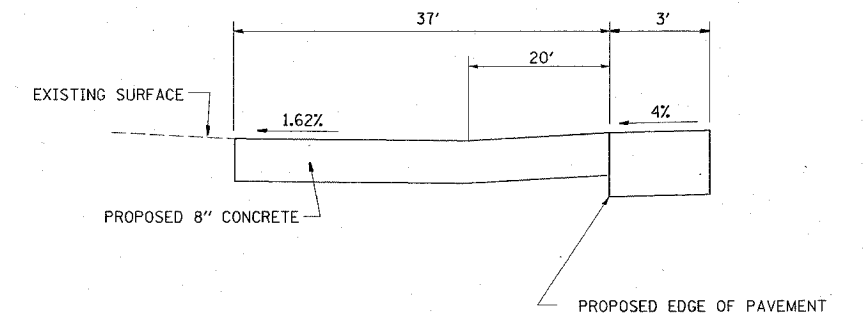
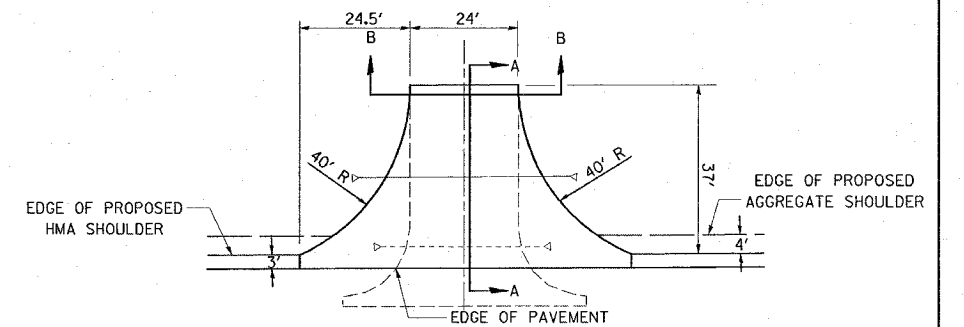


SECTION A-A

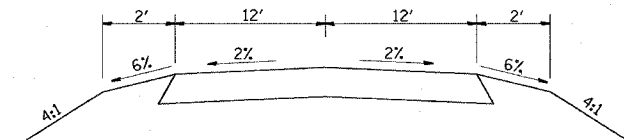


SECTION B-B

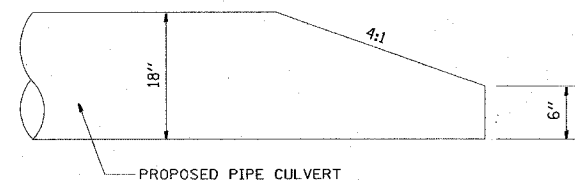
EAST ENTRANCE STA. 429+92.83



SECTION A-A



SECTION B-B



BEVELED END SECTION
 THE BEVELED END PORTION WILL BE PAID FOR AT THE SAME UNIT PRICE PER LINEAL FOOT AS THE PIPE CULVERT

PLOT DATE * * * * *
 FILE NAME * * * * *
 PLOT SCALE * * * * *
 REFERENCE * * * * *

REVISIONS	
NAME	DATE

ILLINOIS DEPARTMENT OF TRANSPORTATION
DETAILS
 FAP ROUTE 793 (US 40)
 SECTION T-2-I
 MADISON COUNTY

SCALE: VERT. _____
 HORIZ. _____
 DATE _____ DRAWN BY _____
 CHECKED BY _____