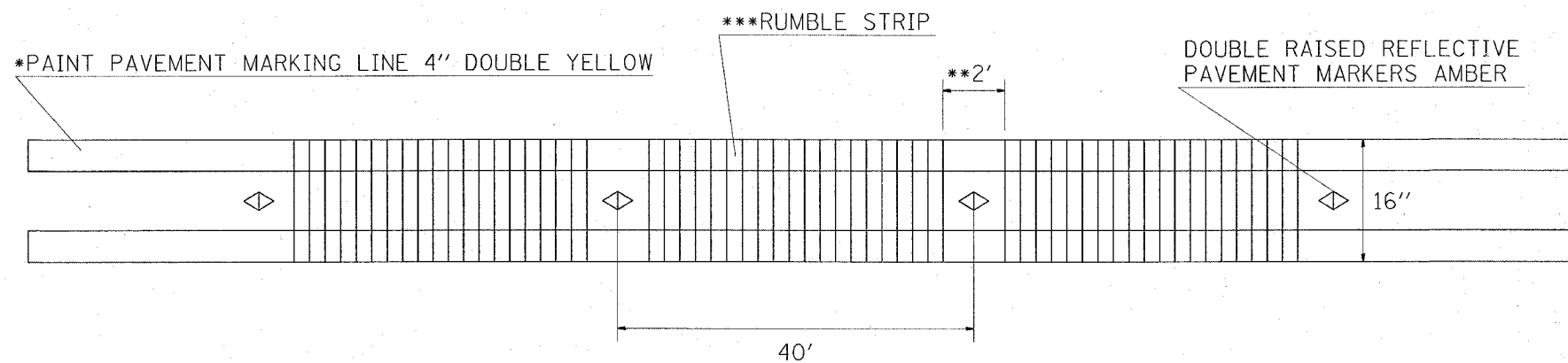
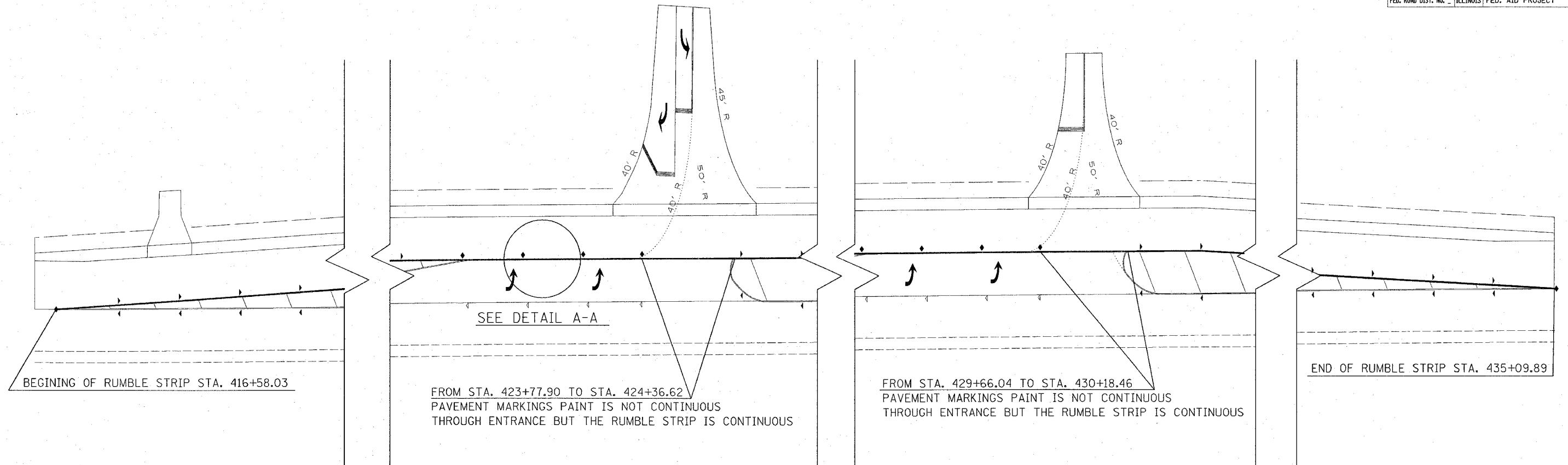


F.A.P. RTE.	SECTION	COUNTY	TOTAL SHEETS	SHEET NO.
793	T-2-I	MADISON	41	20
STA.	TO STA.			
FED. ROAD DIST. NO.	ILLINOIS FED. AID PROJECT			



NOT TO SCALE

RUMBLE STRIP DETAIL A-A

REVISIONS	
NAME	DATE

ILLINOIS DEPARTMENT OF TRANSPORTATION  
**DETAILS**  
 FAP ROUTE 793 (US 40)  
 SECTION T-2-I  
 MADISON COUNTY

SCALE: VERT. \_\_\_\_\_  
 HORIZ. \_\_\_\_\_  
 DATE \_\_\_\_\_

DRAWN BY \_\_\_\_\_  
 CHECKED BY \_\_\_\_\_

- \* PAINT ON TOP OF RUMBLE STRIP
- \*\* 2' GAP IS FOR RPM'S ALONG WEST BOUND ISLAND EDGE
- \*\*\* RUMBLE STRIP WILL BE CONTINUOUS THROUGH SIDE ENTERANCES INTERSECTIONS FROM STA. 416+57.88 TO STA. 435+09.89

PLOT DATE \* \* \* \* \*  
 FILE NAME \* \* \* \* \*  
 PLOT SCALE \* \* \* \* \*  
 REFERENCE \* \* \* \* \*