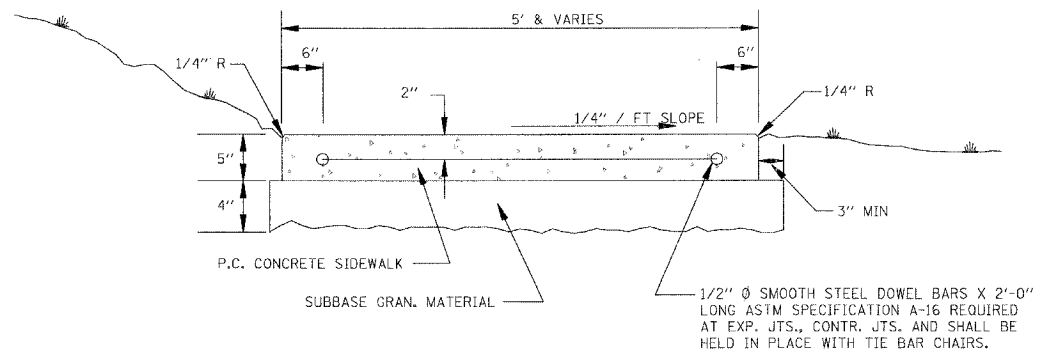


* DIMENSIONS OF STEP TREAD AND RISER SHALL NOT VARY BY MORE THAN 1/4" PER SET OF STEPS. ACTUAL TREAD DIMENSION SHALL BE DETERMINED IN THE FIELD AT THE TIME OF CONSTRUCTION.

NOTE:
 REINFORCEMENT BARS SHALL BE EPOXY-COATED. BARS WILL NOT BE MEASURED FOR PAYMENT, BUT SHALL BE INCLUDED IN CUBIC YARD PRICE FOR CONCRETE STEPS.

CONCRETE STEPS SHALL BE CLASS SI CONCRETE.

CONCRETE STEPS

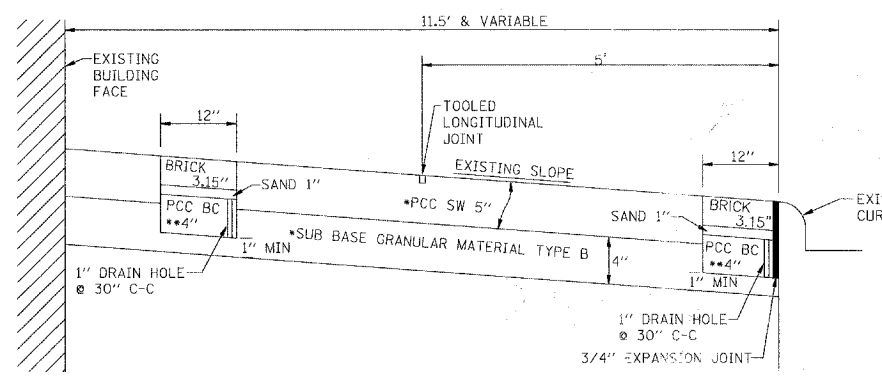


THE CONTRACT UNIT PRICE FOR P.C. CONC. SIDEWALK, 5" SHALL INCLUDE THE DOWEL BARS, EXPANSION AND CONTRACTION JOINTS AND DUMMY JOINTS AS SPECIFIED.

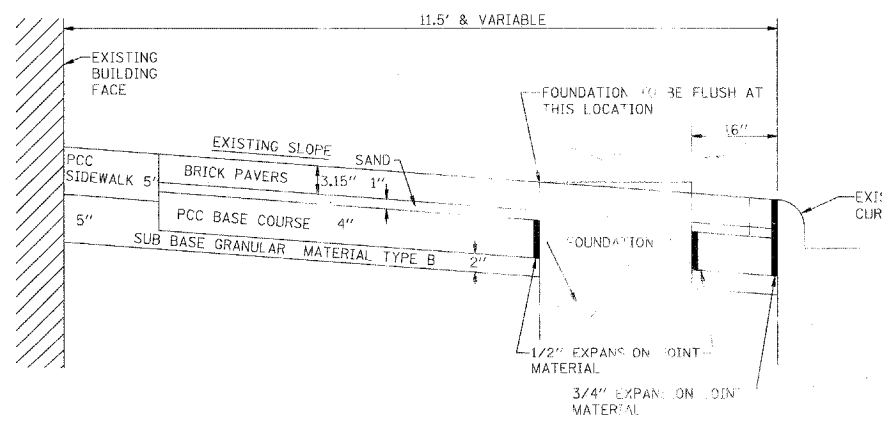
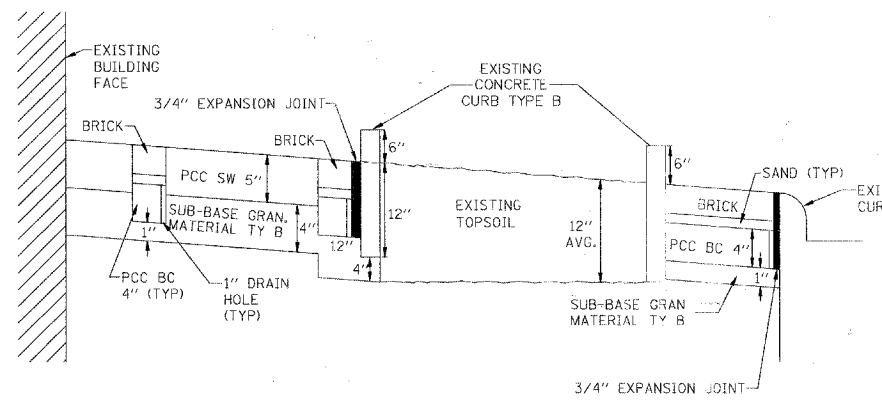
TYPICAL SECTION SIDEWALK DETAIL

P.C. CONCRETE SIDEWALKS

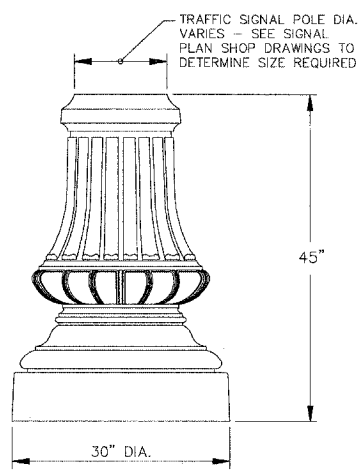
TYPICAL BRICK PAVER/SIDEWALK SECTION



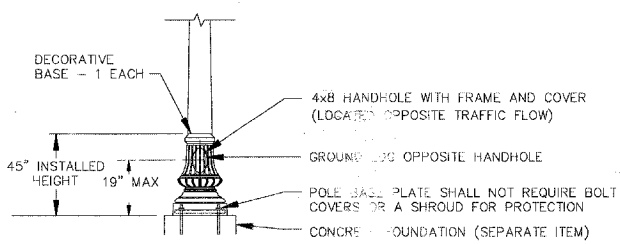
- INCREASE PCC SIDEWALK TO 7" THRU DRIVEWAYS
- INCREASE PCC BASE COURSE TO 6" THRU DRIVEWAYS



- NOTES:
1. DRAIN HOLES SHALL BE COVERED WITH SAND AND COVERED PRIOR TO PLACEMENT OF BRICK PAVERS OR READING COILS.



MFG: UNION METAL CORP.
 STYLE: NATIONAL FAMILY
 BASE NO. 726
 MATERIAL: CAST ALUMINUM (2-PC.)
 COLOR: GLOSS BLACK



TRAFFIC SIGNAL MAST ARM POLE
 DECORATIVE BASE DETAIL