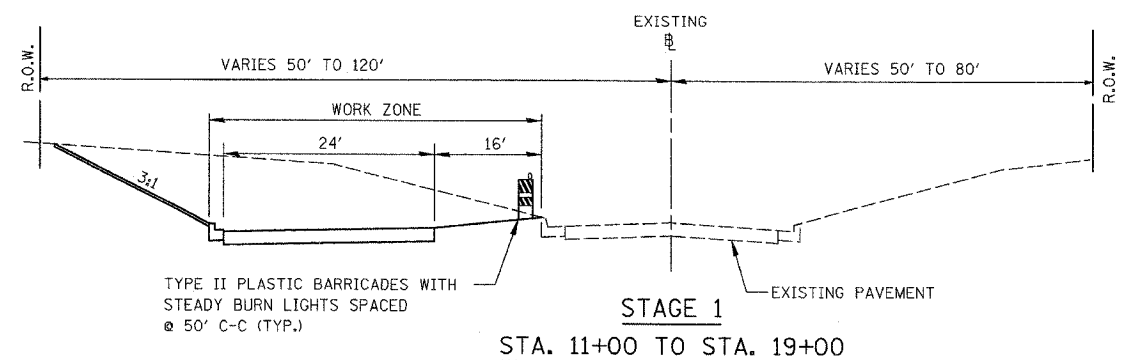
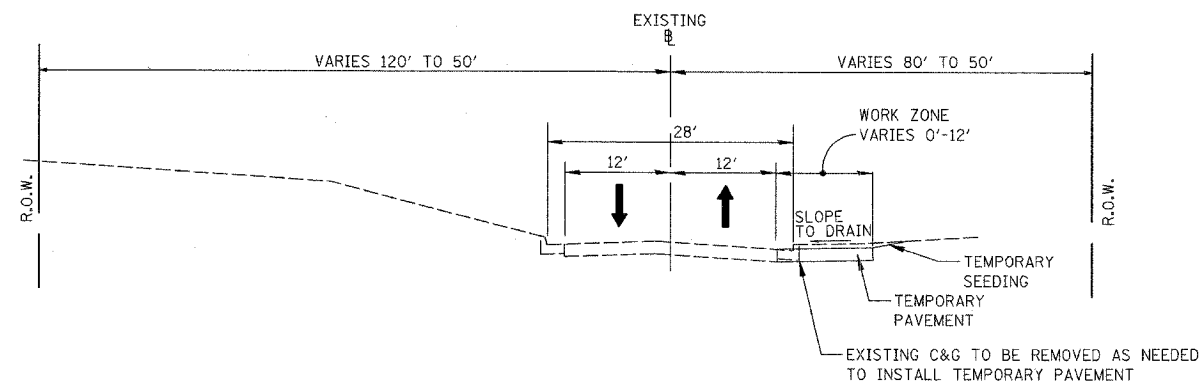


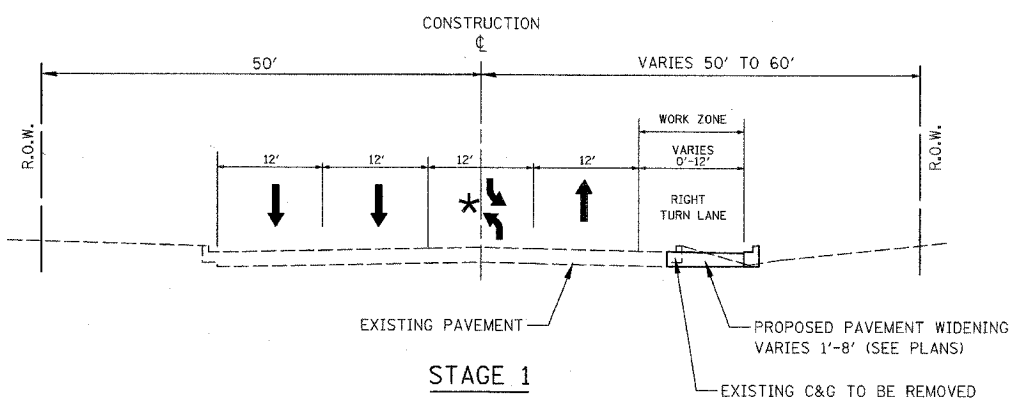
FALL R/L	SECTION	COUNTY	TOTAL SHEETS	SHEET NO
1215	98-00169-05-WR	LAKE	153	44
CONTRACT NO. 83847		ILLINOIS	SUNSET AVENUE	



STAGE 1
STA. 11+00 TO STA. 19+00

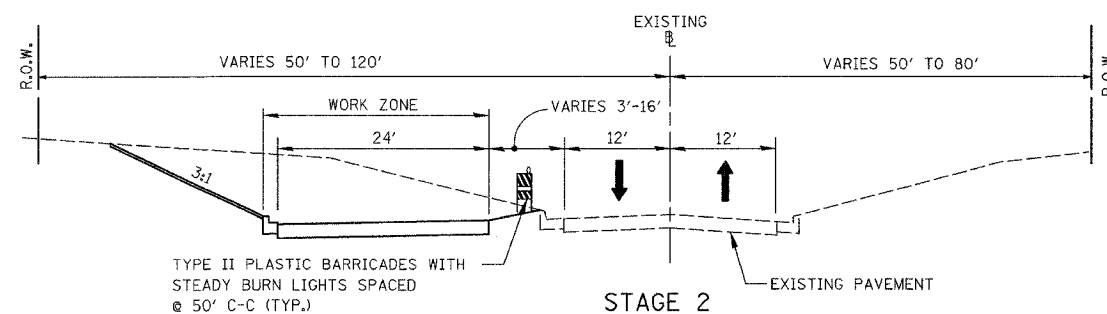


STAGE 1
STA. 19+92 TO STA. 24+52

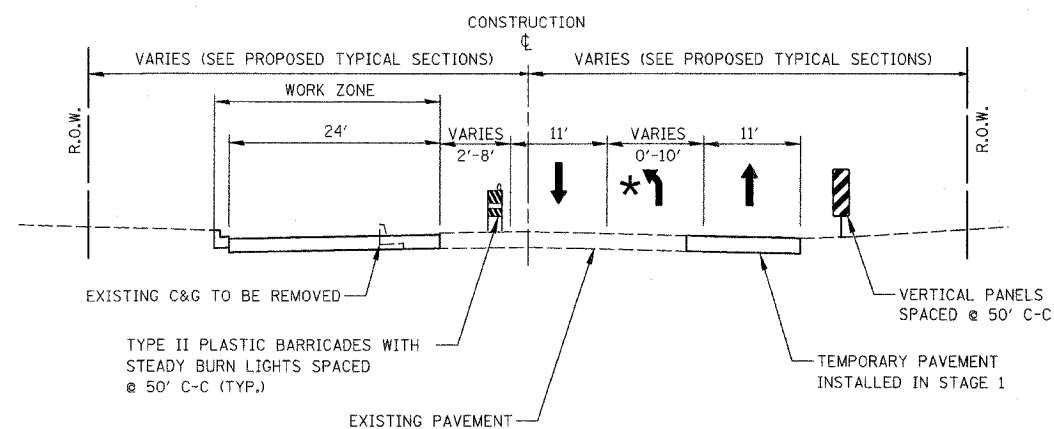


STAGE 1
STA. 26+48 TO STA. 50+81

- * WESTBOUND LEFT TURN LANE
STA. 27+10 TO STA. 29+10
- BI-DIRECTIONAL LEFT TURN LANE
STA. 31+18 TO STA. 50+81



STAGE 2
STA. 5+00 TO STA. 19+00



STAGE 2
STA. 19+00 TO STA. 30+62

- * EASTBOUND LEFT TURN LANE
STA. 23+12 TO STA. 26+00
- WESTBOUND LEFT TURN LANE
STA. 27+10 TO STA. 30+62

REVISIONS	
NAME	DATE



SUNSET AVENUE
TRAFFIC CONTROL
TYPICAL SECTIONS