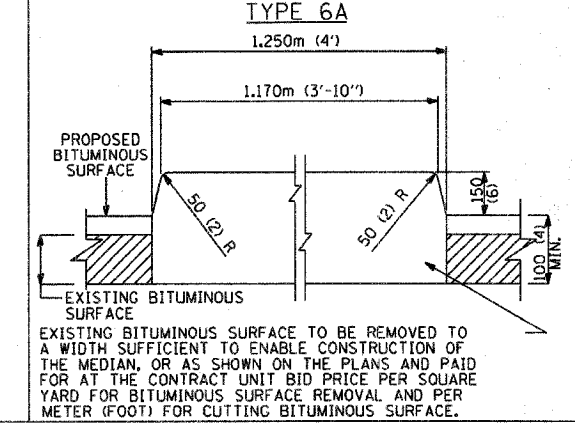
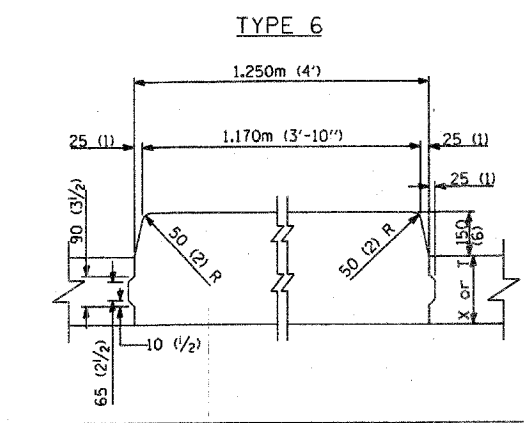
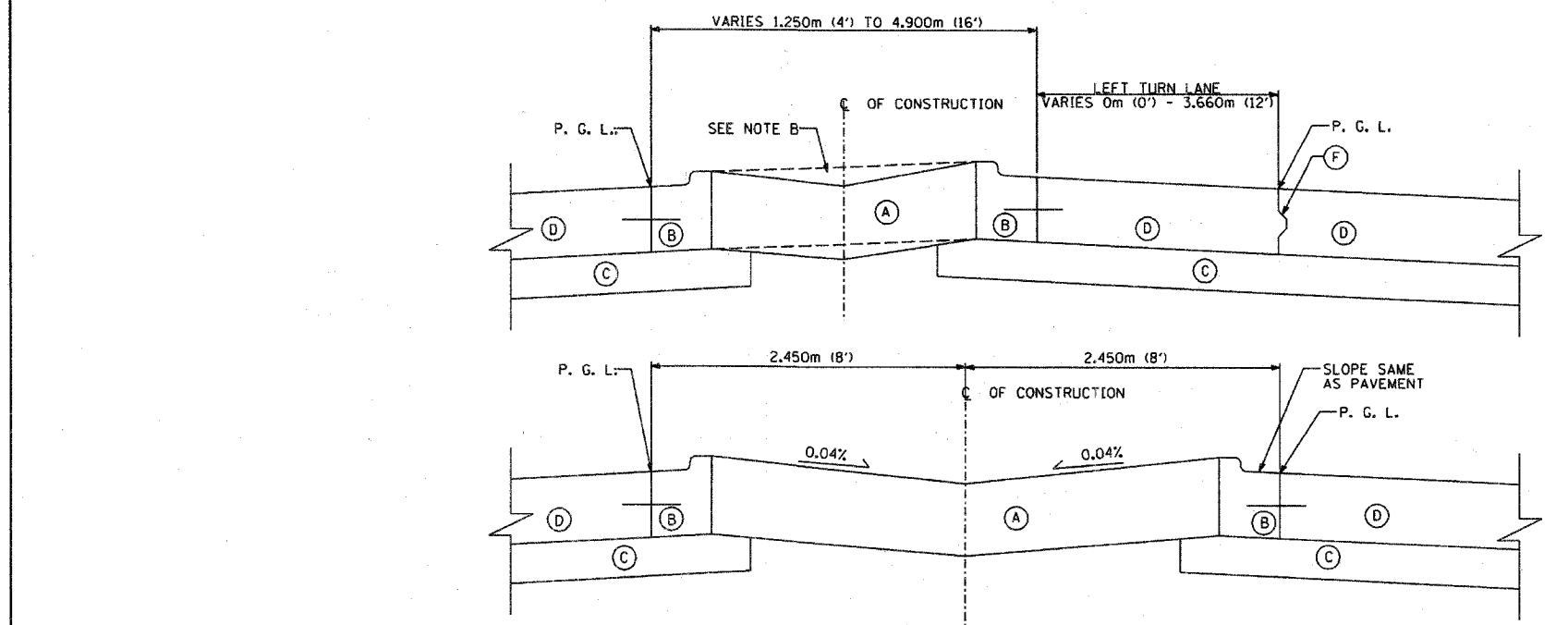
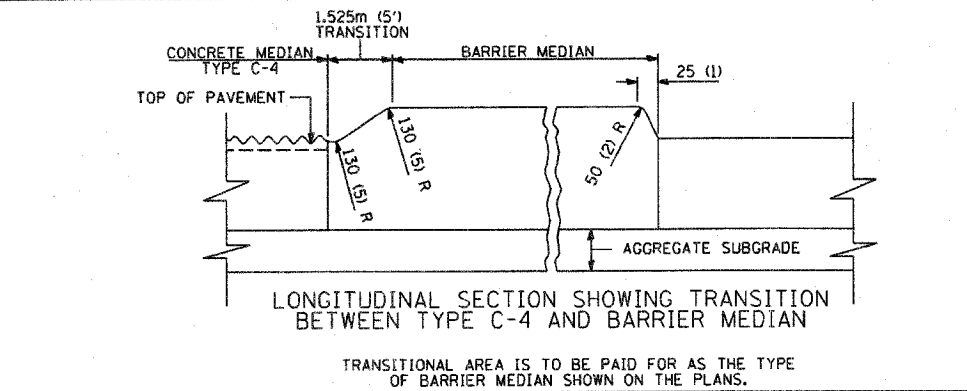
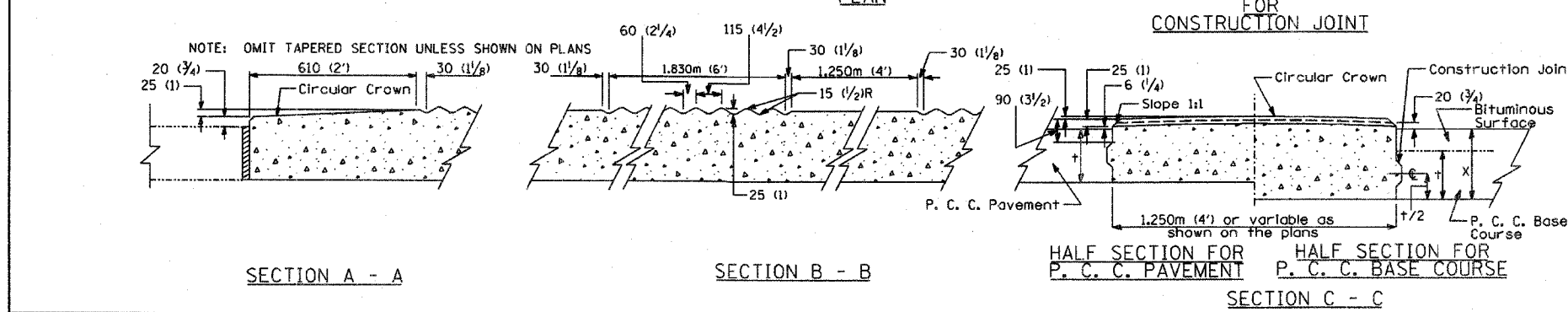
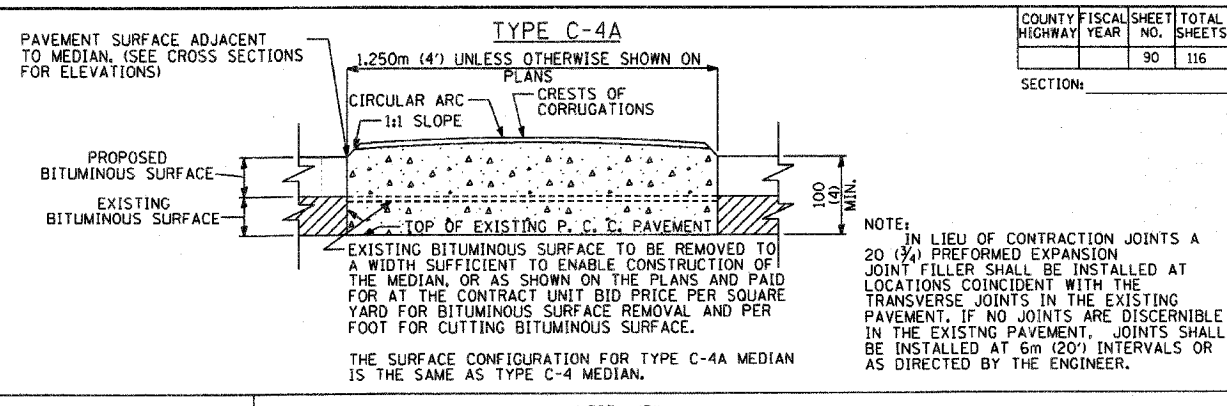
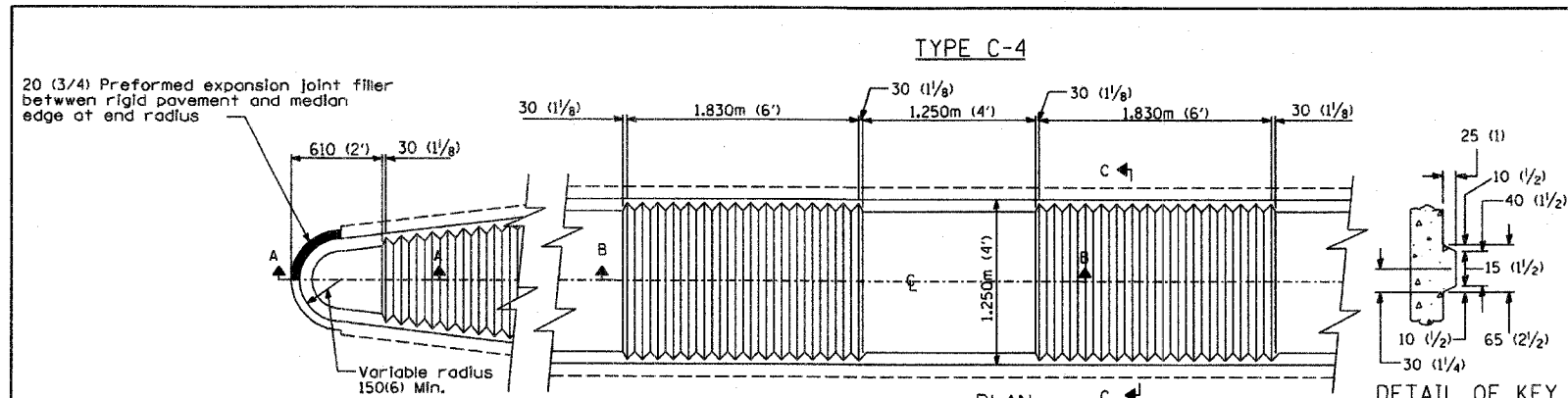


COUNTY HIGHWAY	FISCAL YEAR	SHEET NO.	TOTAL SHEETS
		90	116



GENERAL NOTES

Dimension "t" is equal to the adjacent Pavement edge thickness or Base Course edge thickness

Dimension "x" is equal to the adjacent Base Course edge thickness plus the Bituminous Surface edge thickness.

EXPANSION JOINTS - Shall be of the type similar to that in the adjacent pavement except dowel bars will not be required.

CONTRACTION JOINTS - Shall be constructed and sealed in the same manner as the joints in the adjacent pavement, or shall be constructed with 20(3/4) prefomed expansion joint filler conforming to full cross-section of the median. Dowel Bars are to be omitted in median joints.

The earth work shall be considered as being incidental to Earth Excavation.

Plan views of medians shown are typical. Median layout and radii shall be as shown on the plans.

STATE OF ILLINOIS DEPARTMENT OF TRANSPORTATION	
PASSED May 29 1975	ISSUED 12 - 12 - 62
Engineer of Design Operations	REVISIONS
	W. F. 8 - 27 - 68
	W. F. 1 - 15 - 69
	W. F. 10 - 1 - 69
	D. W. 9 - 4 - 73
	D. W. 10 - 31 - 74
	D. W. 5 - 29 - 75
	D. W. 7 - 15 - 77
APPROVED May 29 1975	
Engineer of Design	

- NOTE B: AT LOCATIONS NOTED ON THE PLANS THE MEDIAN SURFACE SHALL BE A STRAIGHT LINE FROM TOP OF CURB TO TOP OF CURB.
- (A) BITUMINOUS SHOULDERS, 305 (12)
 - (B) COMBINATION CONCRETE CURB AND GUTTER, TYPE M-5.30 (M-2.12)
 - (C) AGGREGATE SUBGRADE 305 (12)
 - (D) PORTLAND CEMENT CONCRETE PAVEMENT 255 (10)
 - (F) CONSTRUCTION JOINT (FOR TYPE SEE PLANS)

TYPE M-7

Medians may vary in width as required on the plans, but regardless of any width variation shall be measured and paid for at the contract unit price per square foot for concrete median of the type specified.

The vertical edge dimension for Type C-4 Median shall be 250(10) when constructed adjacent to flexible pavement. Also, keyway shall be omitted and contraction joints shall be installed at 6m (20') intervals.

NOTE: ALL DIMENSIONS ARE MILLIMETERS (INCHES) EXCEPT AS NOTED

REV. 3-14-06 Redrawn 9-30-05 CCHD Redrawn 8 - 27 - 68

NOT TO SCALE

COUNTY OF COOK DEPARTMENT OF HIGHWAYS	
DETAILS OF CONCRETE MEDIANS	
COMPUTED OMB	
DRAWN OMB	
CHECKED T.B.	