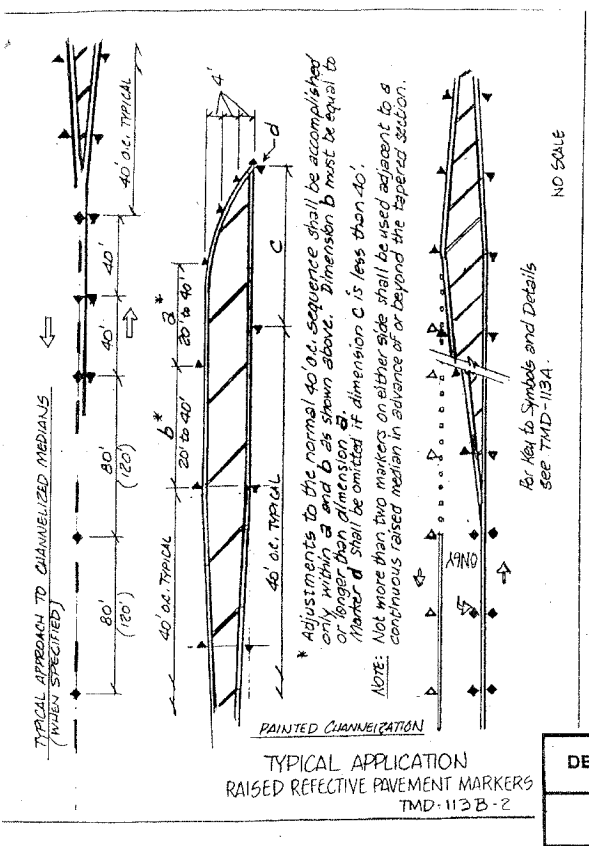
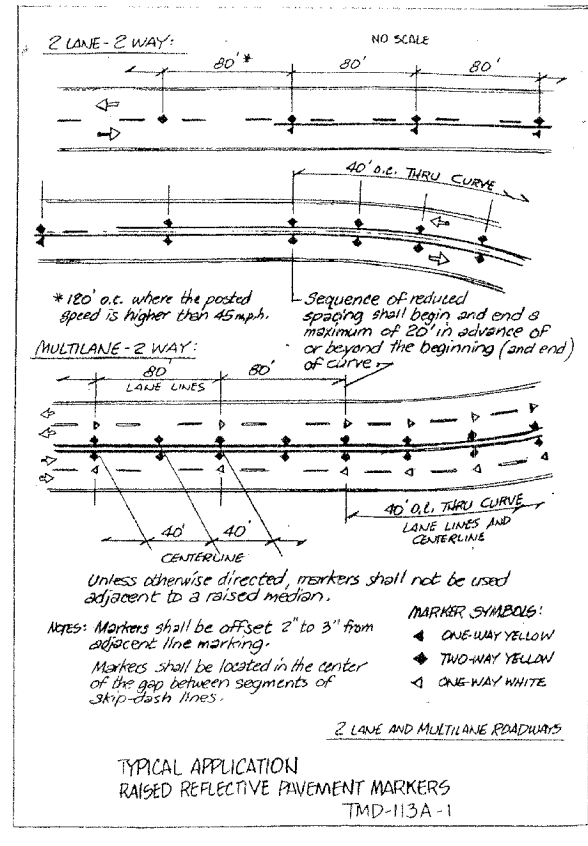
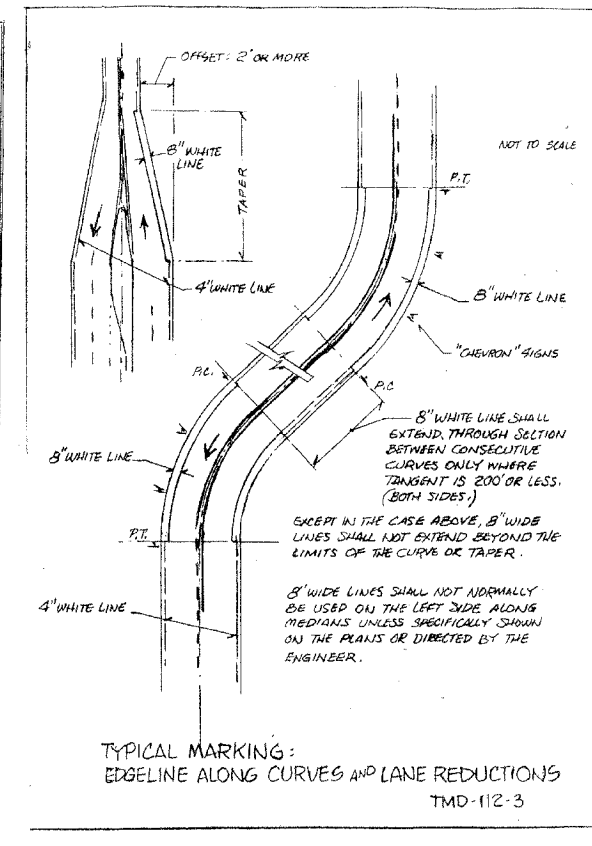
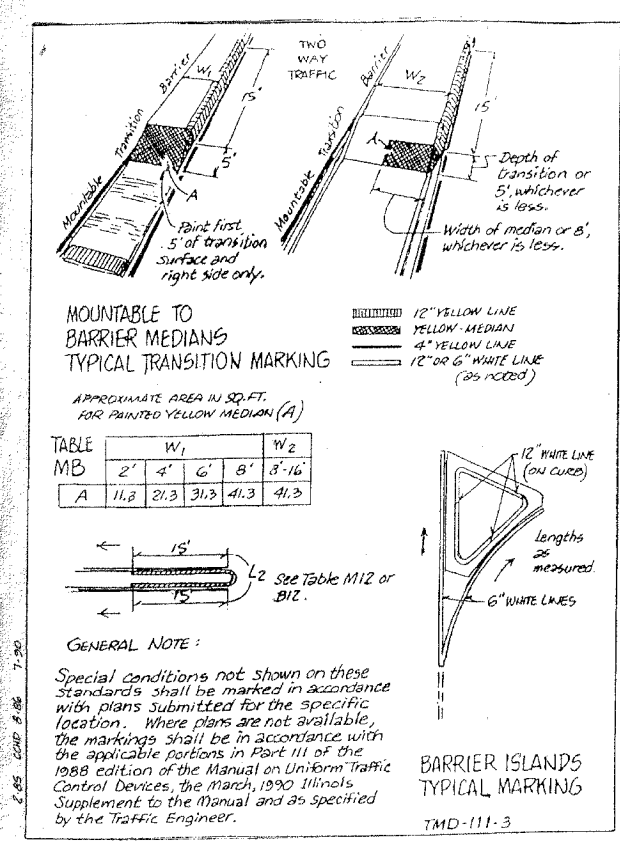
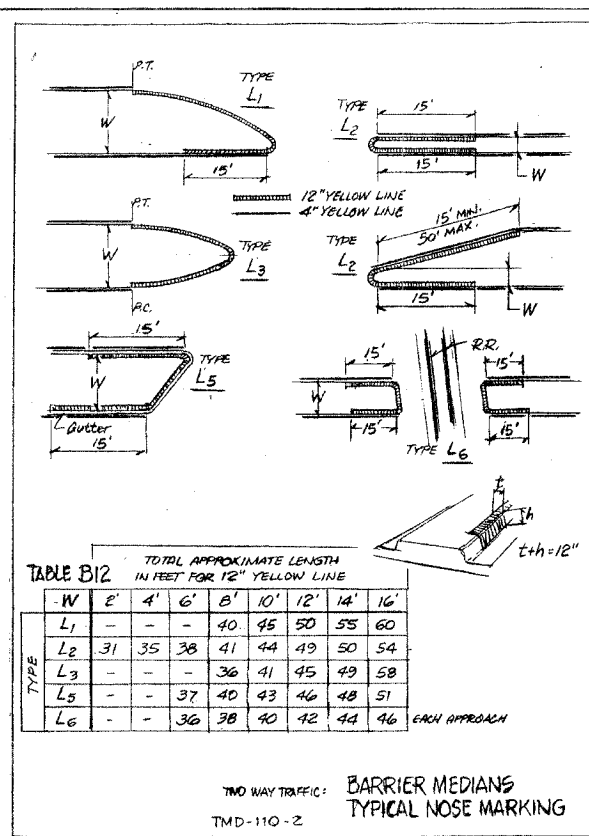
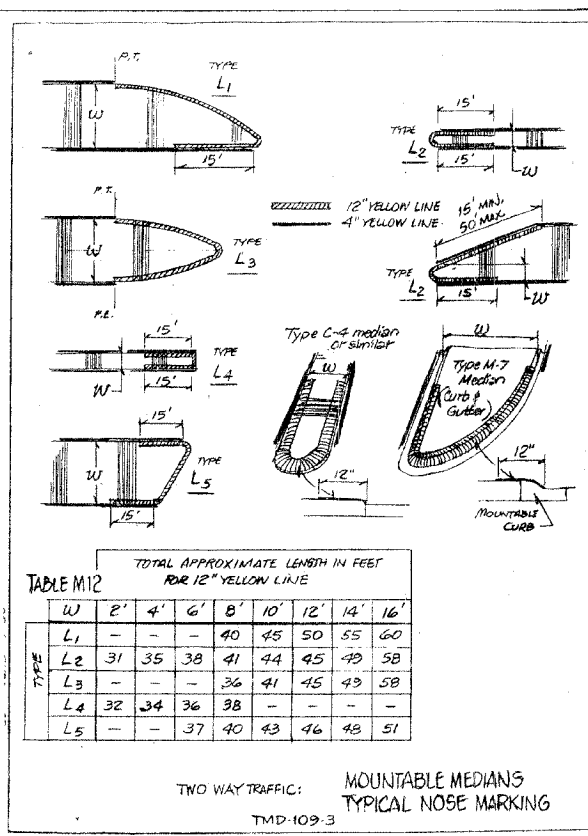
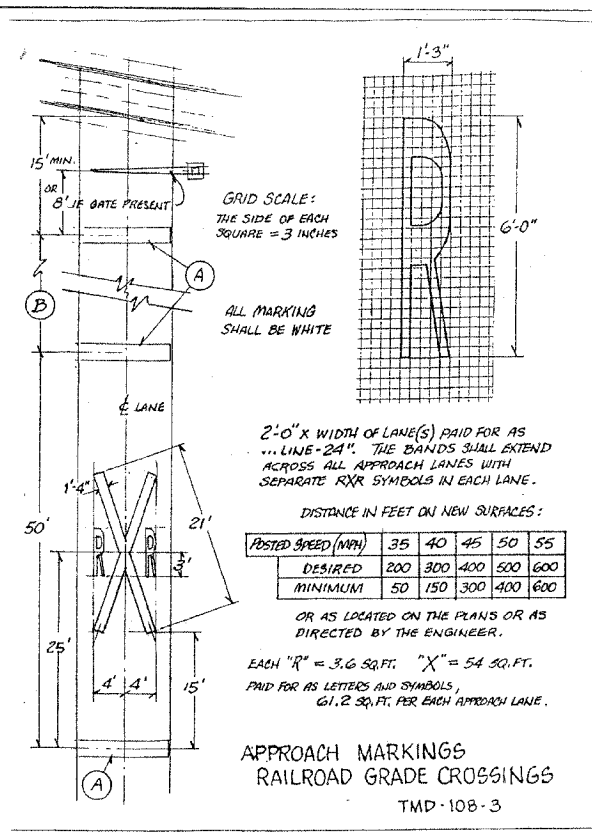
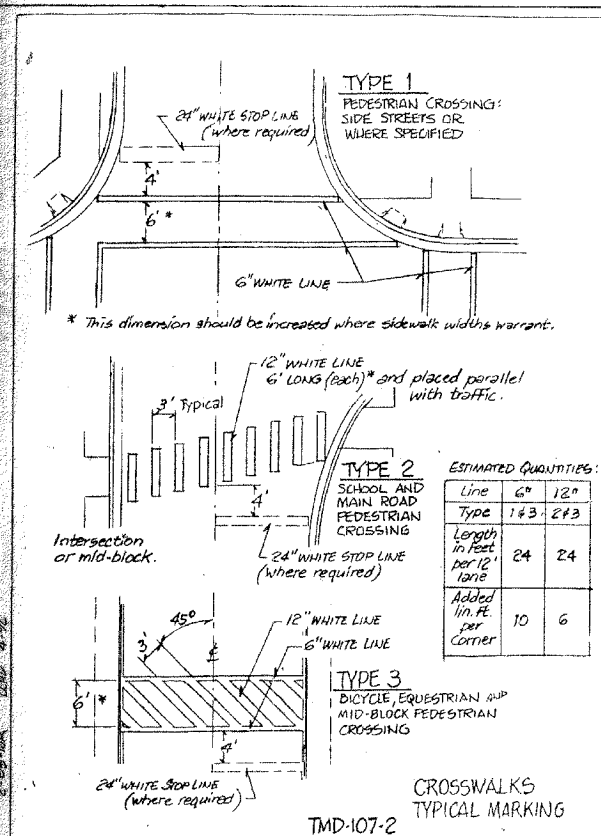


County Highway	Fiscal Year	Sheet No.	Total Sheets
		93	116



COUNTY OF COOK DEPARTMENT OF HIGHWAYS	
PERMANENT PAVEMENT MARKING STANDARDS (SHEET 2 OF 2)	
COMPUTED _____	APPROVED _____
DRAWN _____	CHECKED _____