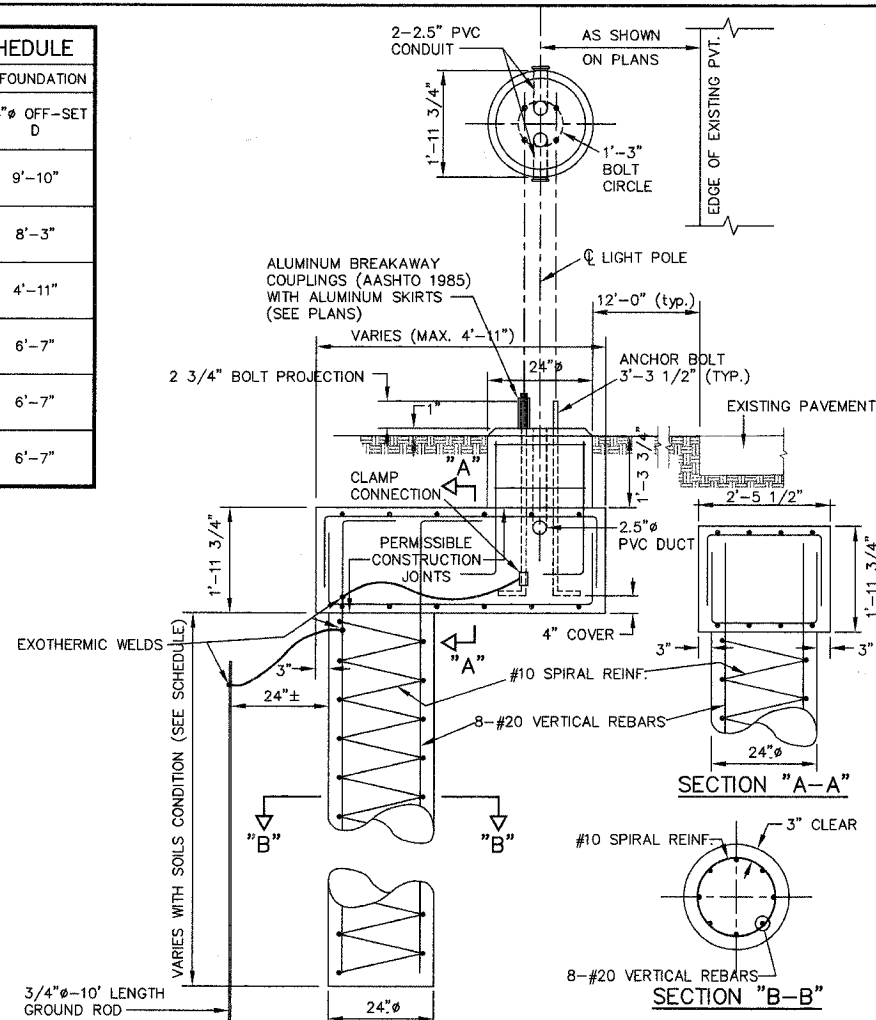


EXTENSION LOCATION CHART

LIGHT #	NOT REQUIRED	1 FOOT	2 FOOT
B9	●		
A9	●		
B8		●	
A8	●		
B7		●	
A7		●	
B6		●	
A6	●		
B5	●		
A5			●
B4		●	
A4		●	
B3		●	
A3	●		
B2	●		
A2	●		
B1	●		
A1		●	
C1		●	
D1		●	
C2	●		
D2		●	
C3		●	
D3	●		
C4		●	
D4	●		
C5		●	
D5		●	
C6		●	
D6			●
C7			●
D7			●
C8	●		
D8	●		
C9		●	
D9		●	
C10		●	
D10		●	
C11			●
D12	●		
C12	●		

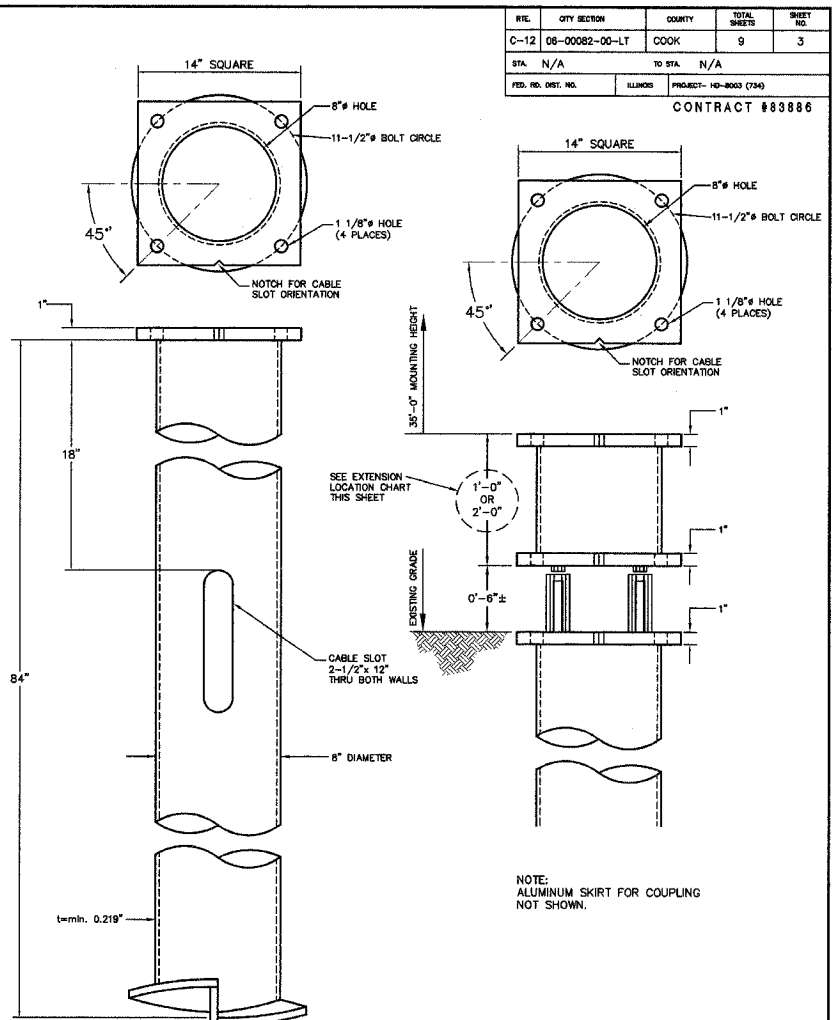
FOUNDATION DESIGN SCHEDULE

TYPE OF SOIL	DESIGN DEPTH OF FOUNDATION	
	TYPICAL D	24"Ø OFF-SET D
SOFT CLAY	13'-2"	9'-10"
MEDIUM CLAY	9'-10"	8'-3"
STIFF CLAY	6'-7"	4'-11"
LOOSE SAND	9'-0"	6'-7"
MEDIUM SAND	8'-3"	6'-7"
DENSE SAND	8'-3"	6'-7"



Light Pole Foundation - 24"Ø Off-Set
Not to Scale

NOTE:
IDENTICAL TO TYPICAL FOUNDATION WITH EXCEPTION OF CANTILEVER
ENGINEER SHALL BE CONTACTED IF OBSTRUCTION IS ENCOUNTERED
WHICH REQUIRES CANTILEVER FOUNDATION.

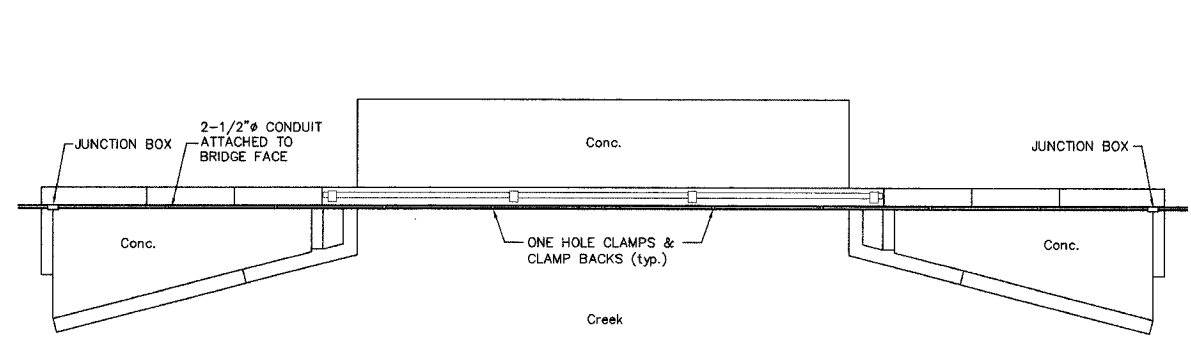


Helix Pole Foundation
Not to Scale

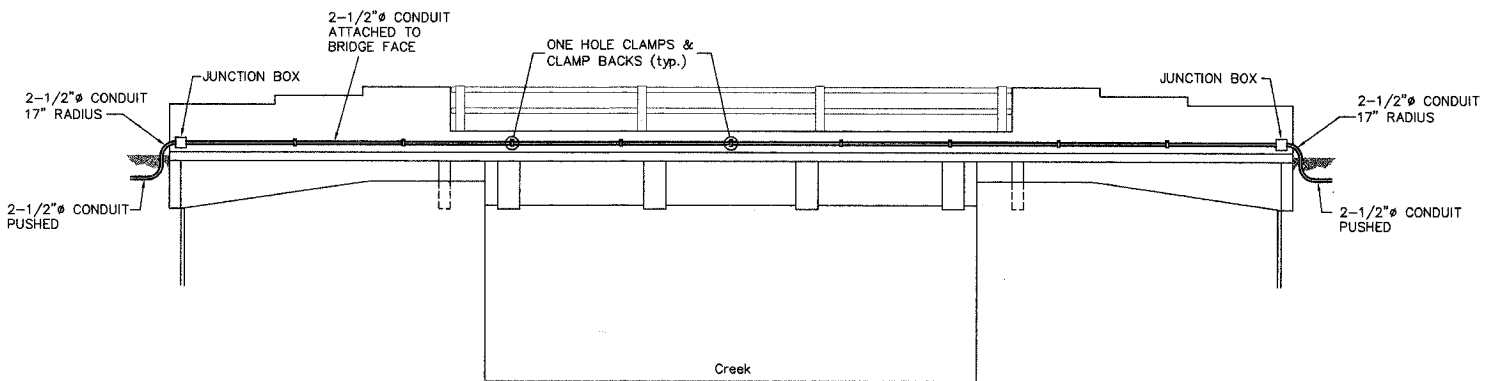
NOTE:
FABRICATION SHALL BE AS SPECIFIED IN SECTION 1070 OF STANDARD SPECIFICATIONS.

REV.	CITY SECTION	QUANTITY	TOTAL SHEETS	SHEET NO.
C-12	08-00082-00-LT	COOK	9	3
STA.	N/A	TO STA.	N/A	
FED. PROJ. NO.	ILLINOIS	PROJECT: HD-0003 (70)		

CONTRACT #83886



Bridge North Plan



Bridge North Elevation

Bridge Cable Crossing
Not to Scale

Joseph A. Schudt & Associates
19350 S. HARLEM AVENUE FRANKFORT, IL 60423
PHONE: 708-720-1000 FAX: 708-720-1065
e-mail: jas@jasaeng.com http://www.jasaeng.com
CIVIL ENGINEERING LAND SURVEYING ENVIRONMENTAL LAND PLANNING GPS SERVICES

COPYRIGHT © 2006
JOSEPH A. SCHUDT & ASSOCIATES
ALL RIGHTS RESERVED

**Village of Steger
Steger Road Lighting Project**

REVISIONS	
NAME	DATE

ILLINOIS DEPARTMENT OF TRANSPORTATION
**Pole Foundations
and Installation Details**
SCALE: AS SHOWN DRAWN BY: A.A.D.
DATE: 2-15-07 CHECKED BY: S.M.H.