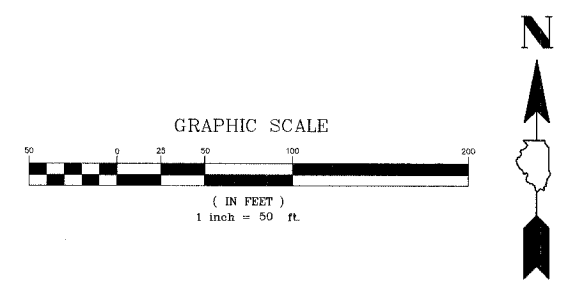
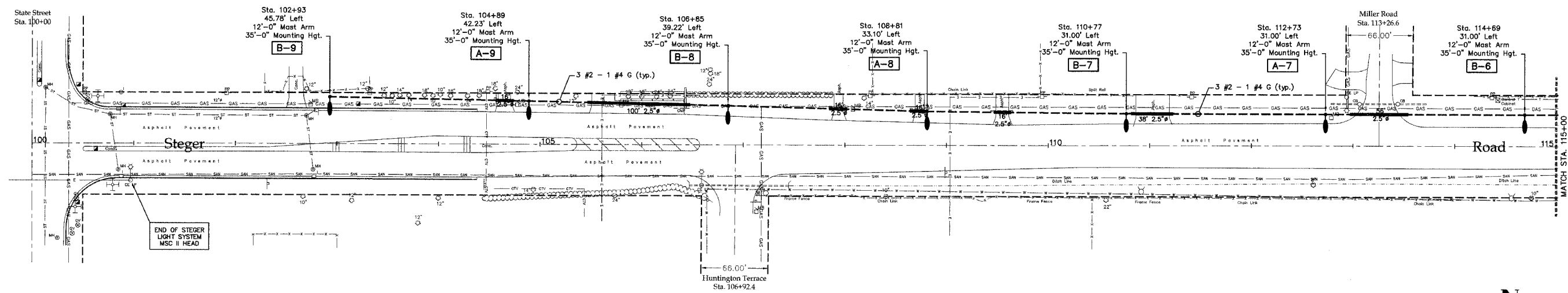
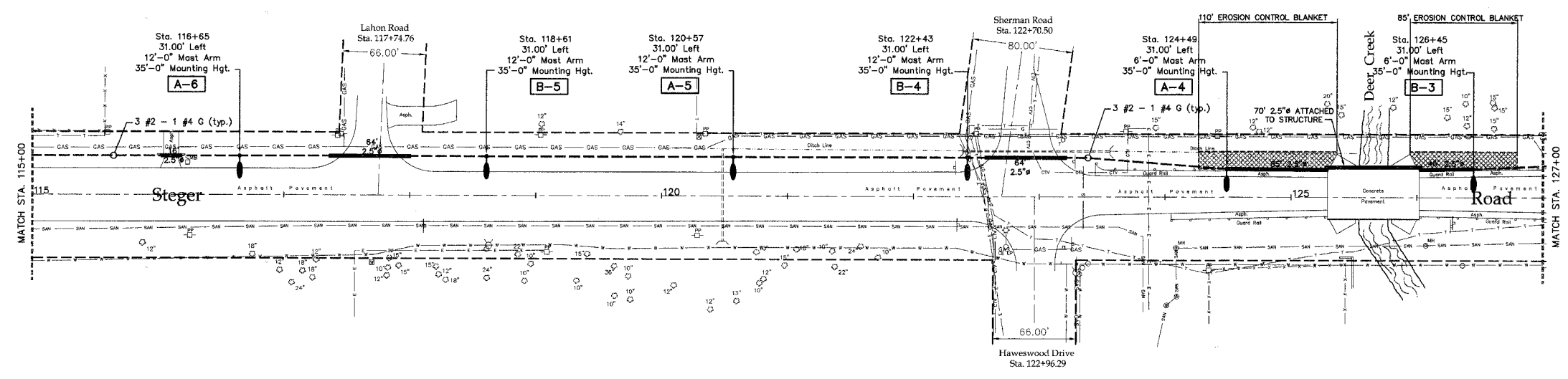


REL.	CITY SECTION	COUNTY	TOTAL SHEETS	SHEET NO.
C-12	06-00082-00-LT	COOK	9	7
STA. 100+00.00		TO STA. 127+00.00		
FED. RD. DIST. NO.	ILLINOIS	PROJECT-NO-8003 (754)		
CONTRACT #83886				



LEGEND

	EXISTING MANHOLE
	EXISTING INLET
	EXISTING CATCHBASIN
	EXISTING CULVERT
	EXISTING HEADWALL
	EXISTING FENCE
	EXISTING TREE W/CALIPER SIZE
	EXISTING GUARD RAIL
	EXISTING TRAFFIC SIGNAL
	EXISTING TRAFFIC SIGNAL HANDHOLE
	EXISTING GAS VALVE
	EXISTING WATER VAULT
	EXISTING WATER BOX
	EXISTING BUFFALO BOX
	EXISTING HYDRANT
	EXISTING TRAFFIC SIGN
	EXISTING LIGHT POLE (COM ED)
	EXISTING POWER POLE
	EXISTING MAIL BOX
	EXISTING TELEPHONE PEDESTAL
	PROPOSED LIGHT POLE 250W HPS
	PROPOSED LIGHTING UNIDUCT
	PROPOSED LIGHTING CONDUIT
	PROPOSED LIGHTING CONTROLLER



Joseph A. Schudt & Associates
 19350 S. HARLEM AVENUE FRANKFORT, IL 60423
 PHONE: 708-720-1000 FAX: 708-720-1085
 e-mail: jas@jaseng.com http://www.jaseng.com
 CIVIL ENGINEERING LAND SURVEYING ENVIRONMENTAL LAND PLANNING GPS SERVICES

Village of Steger
 Steger Road Lighting Project

REVISIONS	
NAME	DATE

ILLINOIS DEPARTMENT OF TRANSPORTATION
Plan Sheet
 Sta. 100+00 to 127+00
 SCALE: AS SHOWN DRAWN BY: A.A.D.
 DATE: 2-15-07 CHECKED BY: S.M.H.

COPYRIGHT © 2006
 JOSEPH A. SCHUDT & ASSOCIATES
 ALL RIGHTS RESERVED