

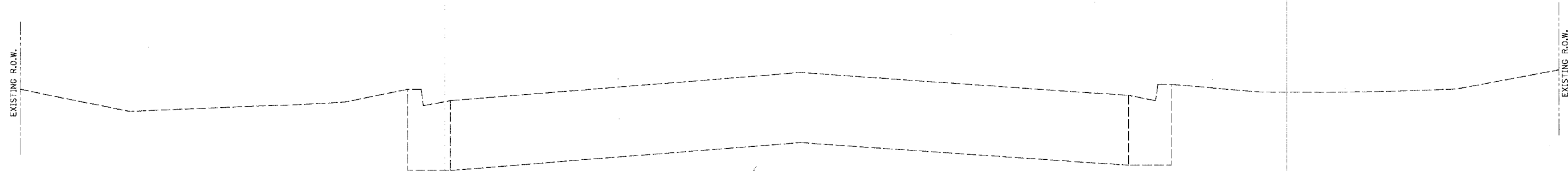
F.A. RTE.	SECTION	COUNTY	TOTAL SHEETS	SHEET NO.
---	06-00061-00-SW	COOK	37	5
STA.	TO STA.			
FED. ROAD DIST. NO.	ILLINOIS	FED. AID PROJECT		

**CONTRACT NO. 83899**

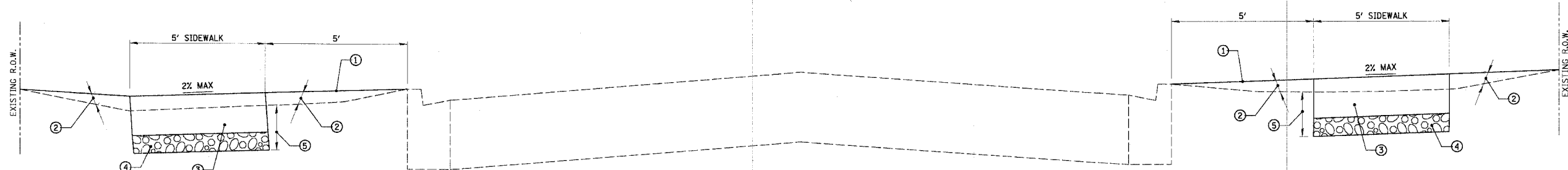
DATE: \_\_\_\_\_ BY: \_\_\_\_\_  
 PLAN NO.: \_\_\_\_\_  
 CHECKED BY: \_\_\_\_\_  
 DATE: \_\_\_\_\_  
 DRAWN BY: \_\_\_\_\_

**CHRISTOPHER B. BURKE ENGINEERING LTD.**  
 9575 West Higgins Road, Suite 600  
 Rosemont, Illinois 60018  
 (847) 823-0500

DATE: \_\_\_\_\_ BY: \_\_\_\_\_  
 CHECKED BY: \_\_\_\_\_  
 DATE: \_\_\_\_\_  
 DRAWN BY: \_\_\_\_\_

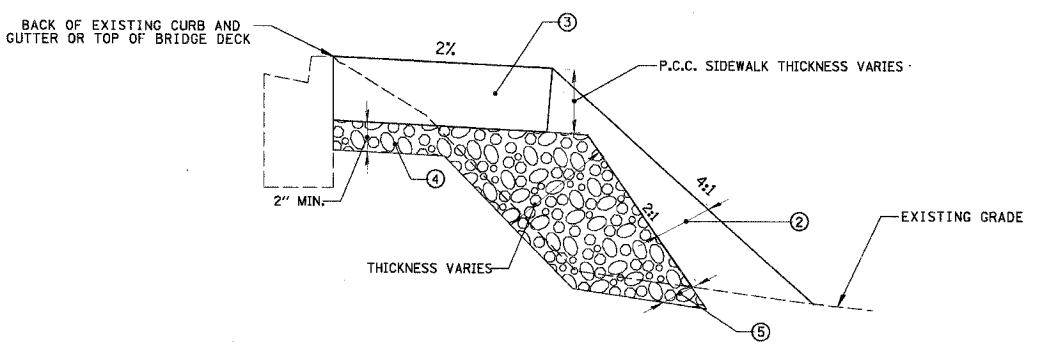


**EXISTING TYPICAL SECTION**  
NOT TO SCALE



**PROPOSED TYPICAL SECTION**  
NOT TO SCALE

- ① SEEDING, CLASS 2A AND EROSION CONTROL BLANKET
- ② TOPSOIL FURNISH AND PLACE, VARIABLE DEPTH
- ③ PORTLAND CEMENT CONCRETE SIDEWALK, 5 INCH
- ④ SUB-BASE GRANULAR MATERIAL, TYPE B - 2"
- ⑤ REMOVAL AND DISPOSAL OF UNSUITABLE MATERIAL



**SIDEWALK ADJACENT TO BRIDGE DECK ON PALMER AVE.**  
**TYPICAL SECTION**  
NOT TO SCALE

**HOT-MIX ASPHALT MIXTURE REQUIREMENTS**

ITEM	AC-TYPE	VOIDS
HOT-MIX ASPHALT SURFACE COURSE, MIX "C", NSO (IL 9.5mm) (OC/OA)	PG 64-22	4%±50 GYR.
HOT-MIX ASPHALT BINDER COURSE, IL-19.0, NSO (OC/OA) - 2 1/4"	PG 64-22/ 58-22	4%±50 GYR.
HOT-MIX ASPHALT BASE COURSE (HMA BINDER IL-19mm) - 6"	PG 64-22*	2%±50 GYR.

- NOTES:
- THE UNIT WEIGHT USED TO CALCULATE ALL HOT-MIX ASPHALT QUANTITIES IS 112 LBS/SY/IN.
  - WHEN RAP EXCEEDS 20%, THE NEW ASPHALT BINDER IN THE MIX SHALL BE PG 58-22.

REVISIONS	
NAME	DATE

ILLINOIS DEPARTMENT OF TRANSPORTATION  
 TYPICAL SECTIONS  
 CITY OF NORTHLAKE - CMAQ SIDEWALKS  
 SCALE NOT TO SCALE DRAWN BY AMP  
 DATE 01/04/2007 CHECKED BY MW