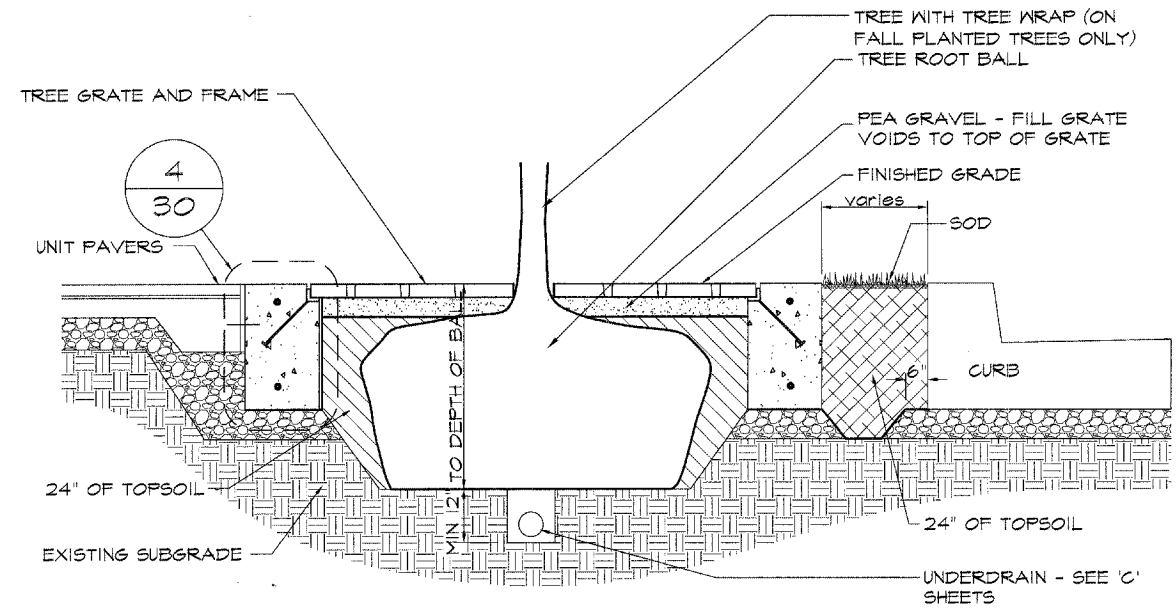
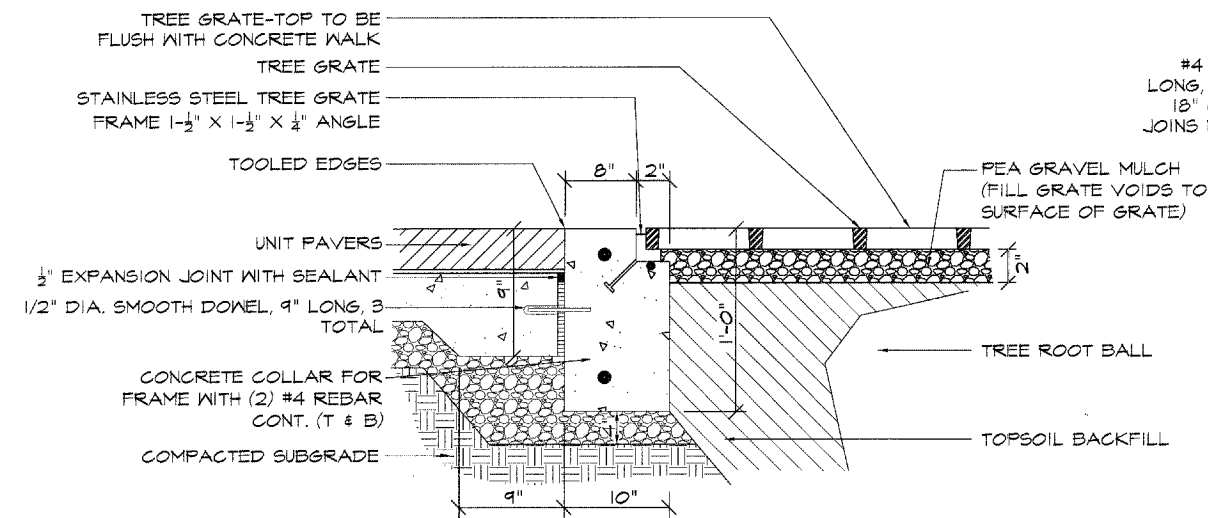


F.A.U. R.T.E.	SECTION	COUNTY	TOTAL SHEETS	SHEET NO.
1340	06-00048-00-RS	COOK	36	30
MISCELLANEOUS DETAILS				
ILLINOIS				

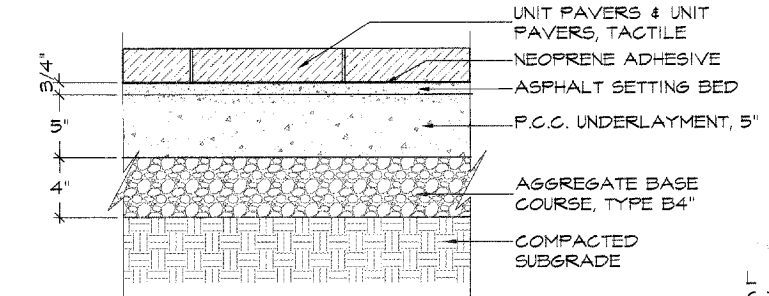


1 TREE GRATES, TYP. (SECTION)
No Scale

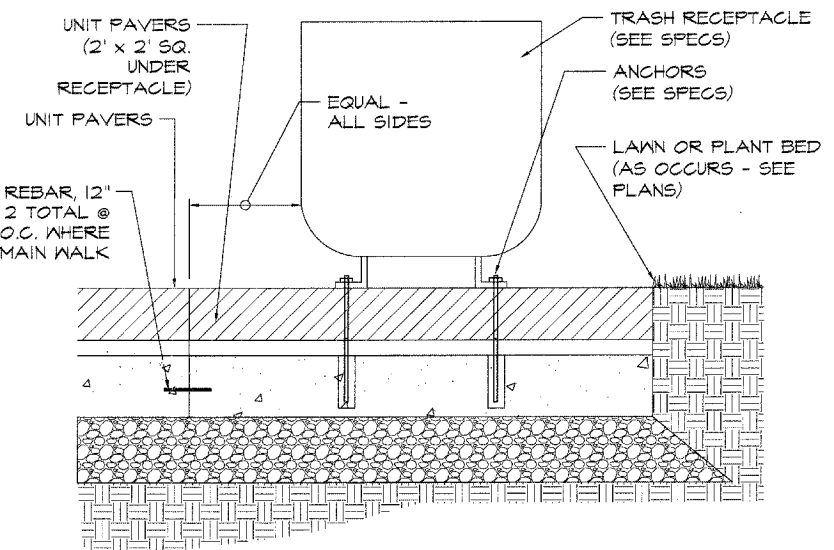


4 TREE GRATE COLLAR DETAIL, TYP.
No Scale

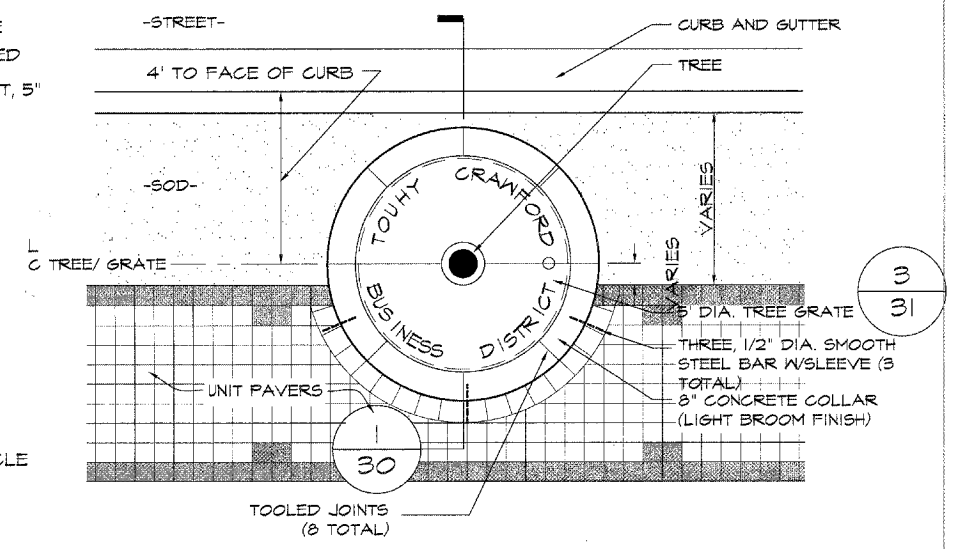
NOTE:
1) 6X6 UNIT PAVERS (COLORS A & B) SHALL BE MEASURED AND PAID FOR AS UNIT PAVERS.
2) 12X12 TACTILE PAVERS SHALL BE MEASURED AND PAID FOR AS UNIT PAVERS, TACTILE



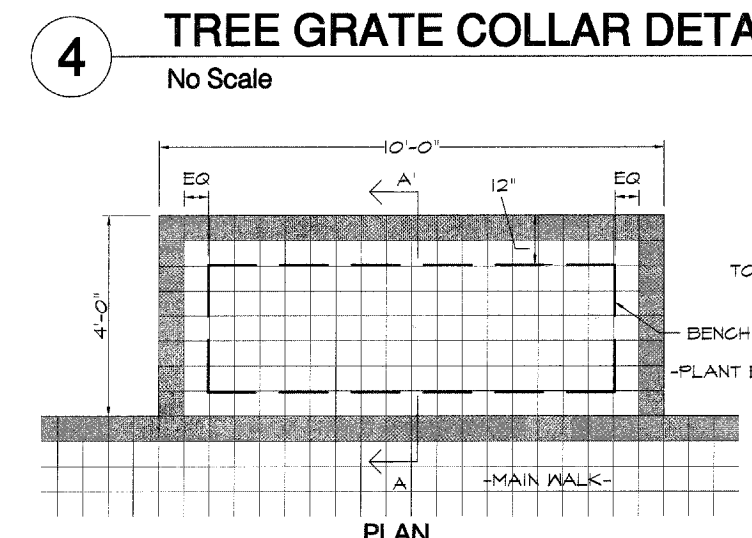
2 UNIT PAVERS & UNIT PAVERS, TACTILE
No Scale



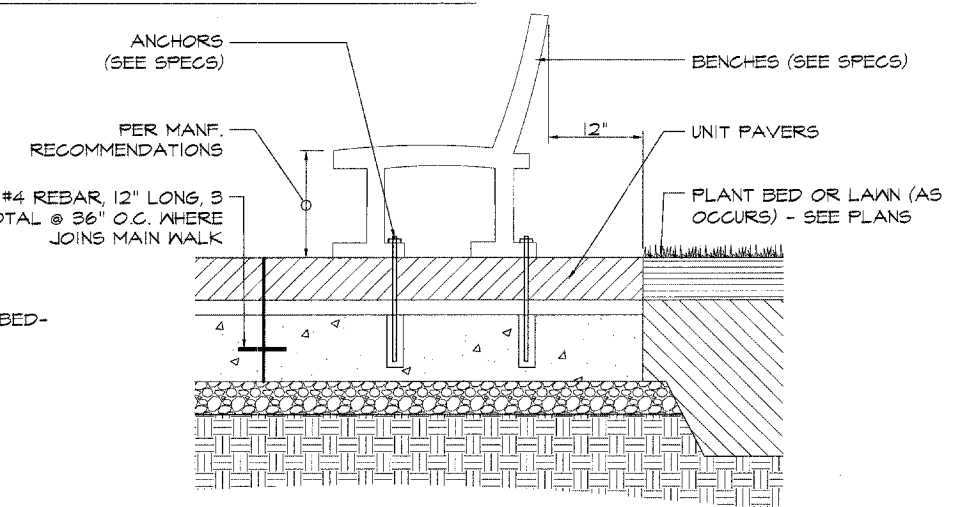
5 TRASH RECEPTACLES
No Scale



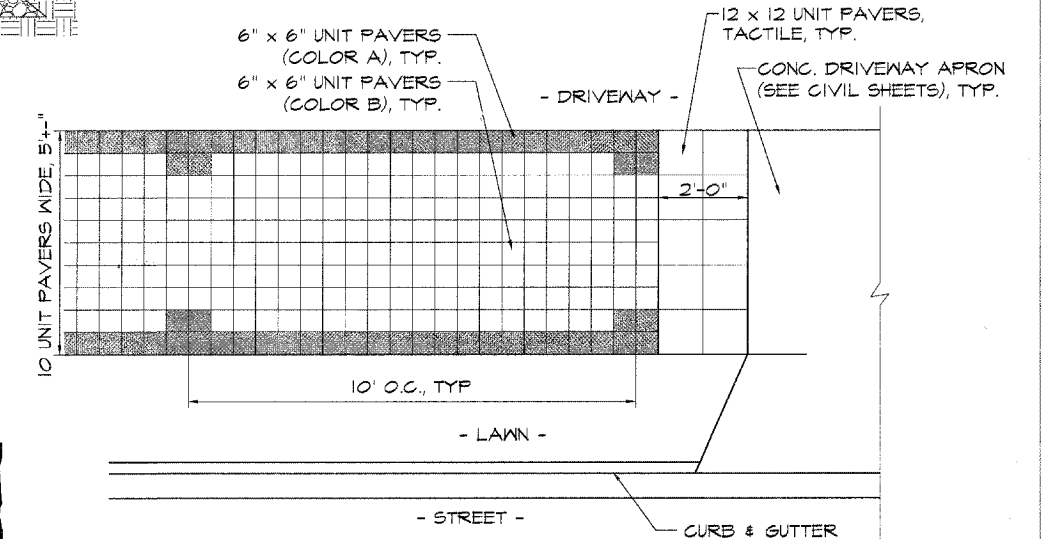
3 TREE GRATES, TYP. (PLAN)
No Scale



7 BENCHES, TYP.
No Scale



SECTION A-A'



6 PAVING DETAIL, TYP.
No Scale



5142 Main Street
Skokie, Illinois 60077
(847) 329-9777
Fax (847) 329-9779

PLANS PREPARED BY:
GEWALT HAMILTON ASSOCIATES, INC.
Consulting Engineers & Surveyors
800 Forest Edge Drive
Vernon Hills, IL 60061
(847) 478-9700
(847) 478-9701 Fax

REVISIONS	
NAME	DATE

ILLINOIS DEPARTMENT OF TRANSPORTATION
MISCELLANEOUS DETAILS
BUSINESS DISTRICT IMPROVEMENTS
TOUHY AVE. AND CRAWFORD AVE.
SECTION # 06 - 00048 - 00 -RS
SCALE: N.T.S.
DATE: 11-2-06
DRAWN BY: TEB
DESIGNED BY: SJP
CHECKED BY: JCG