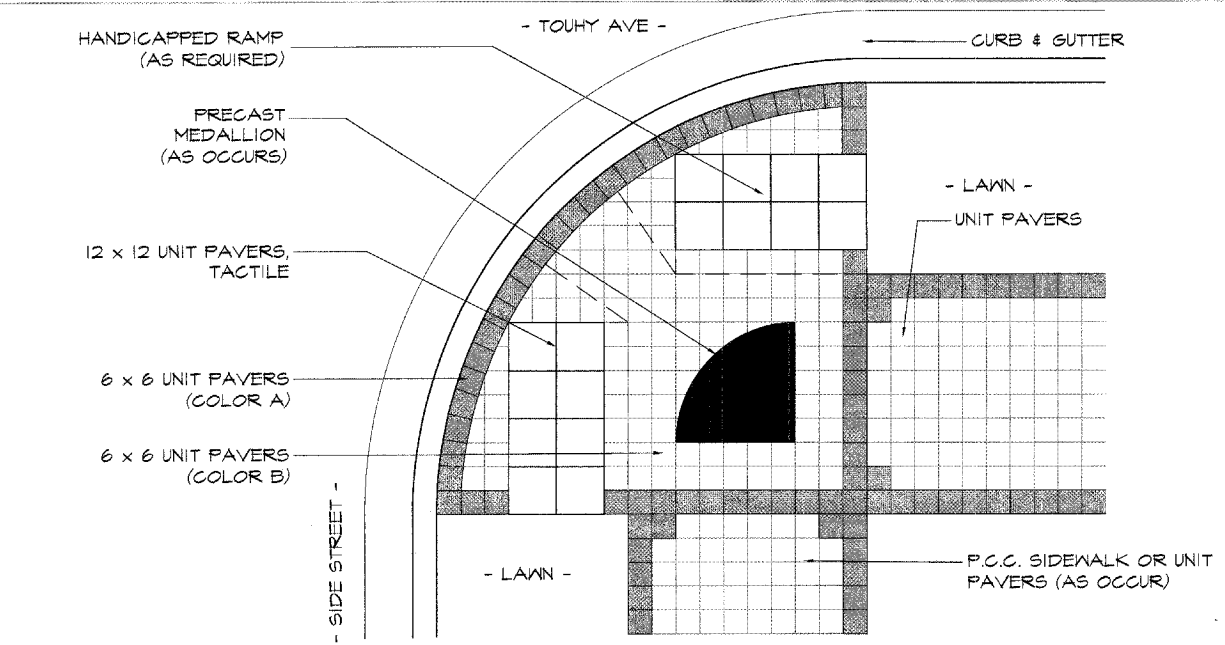
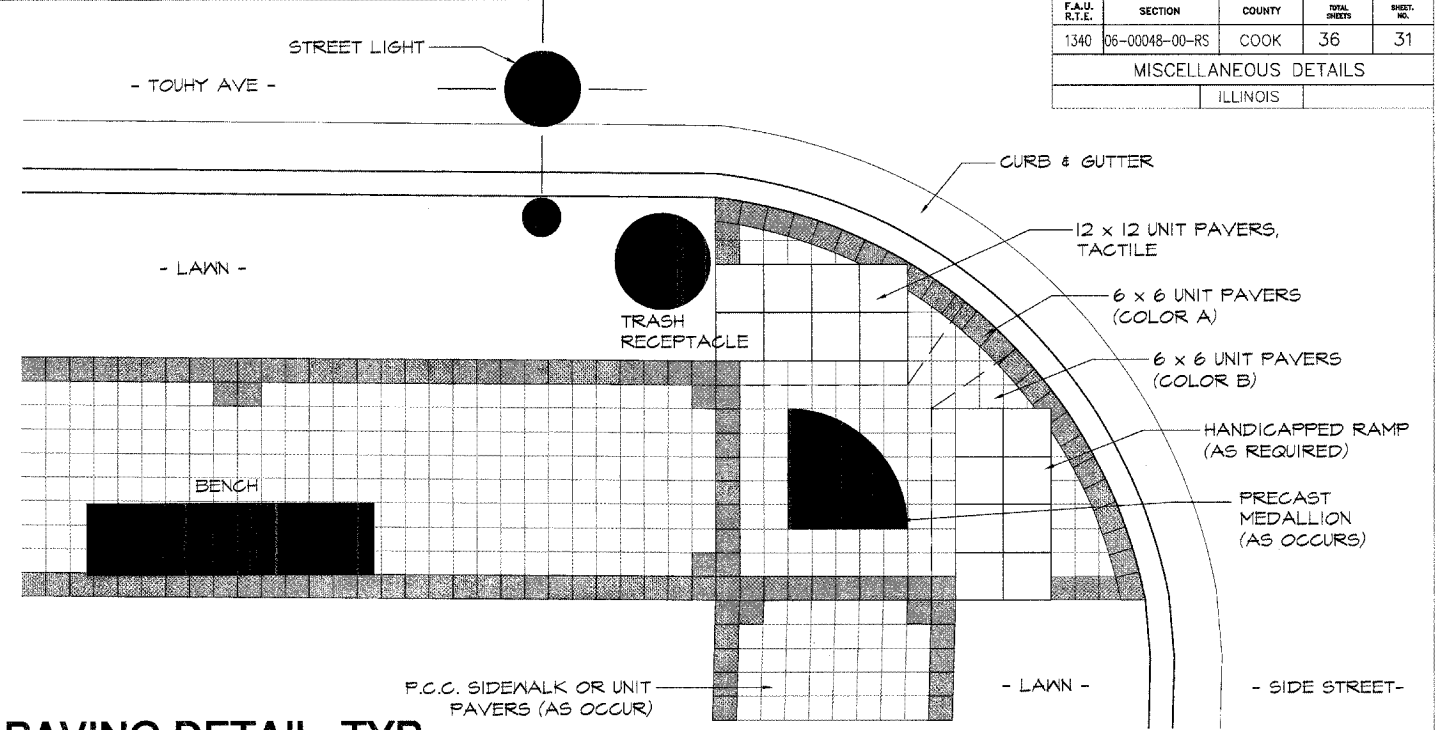


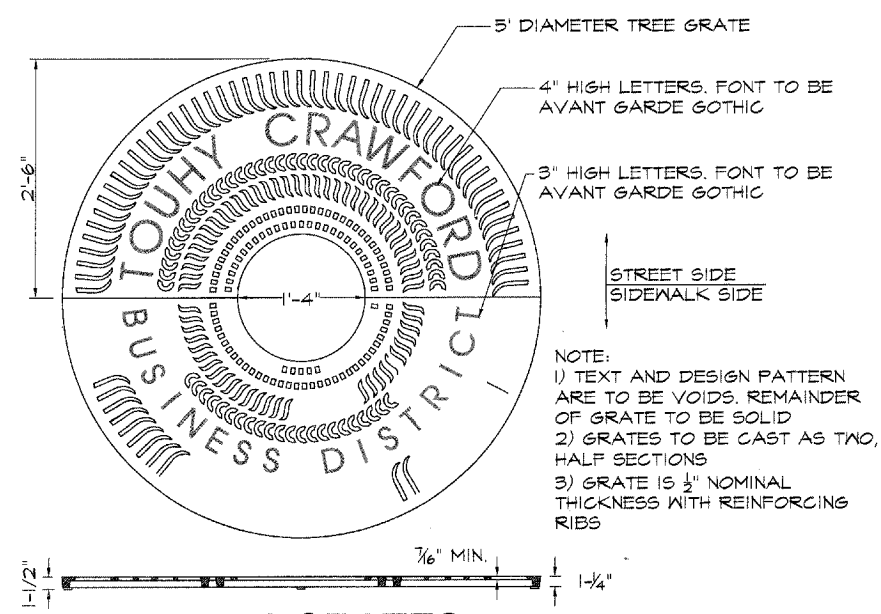
F.A.U. R.T.E.	SECTION	COUNTY	TOTAL SHEETS	SHEET NO.
1340	06-00048-00-RS	COOK	36	31
MISCELLANEOUS DETAILS				
ILLINOIS				



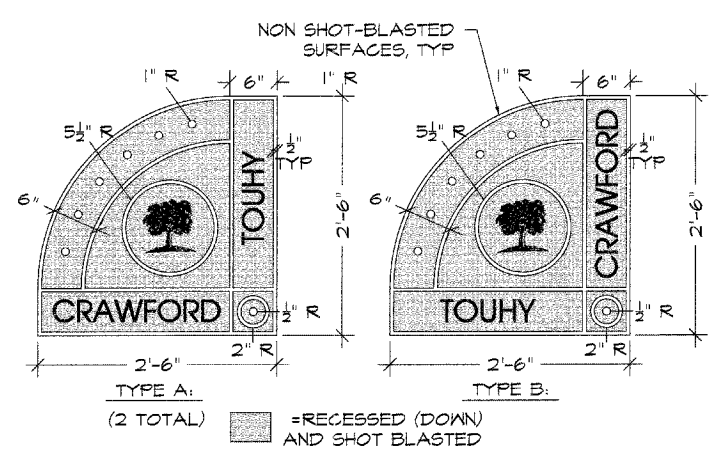
1 PAVING DETAIL, TYP.
No Scale



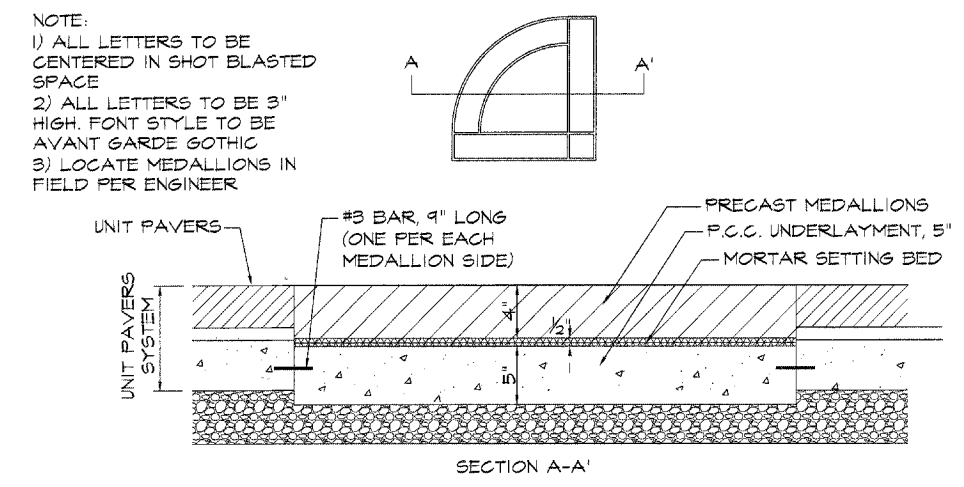
2 PAVING DETAIL, TYP.
No Scale



3 TREE GRATES
No Scale



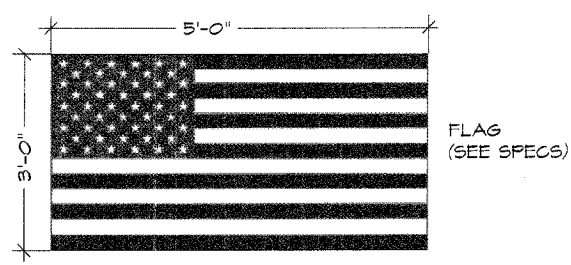
4 PRECAST MEDALLIONS
No Scale



NOTE:
1) ALL LETTERS TO BE CENTERED IN SHOT BLASTED SPACE
2) ALL LETTERS TO BE 3" HIGH, FONT STYLE TO BE AVANT GARDE GOTHIC
3) LOCATE MEDALLIONS IN FIELD PER ENGINEER



5 BANNERS
No Scale



6 FLAG
No Scale



5142 Main Street
Skokie, Illinois 60077
(847) 329-9777
Fax (847) 329-9779

PLANS PREPARED BY:
GEWALT HAMILTON ASSOCIATES, INC.
Consulting Engineers & Surveyors
850 Forest Ridge Drive
Vernon Hills, IL 60061
(847) 478-9700
(847) 478-9701 Fax

REVISIONS	
NAME	DATE

ILLINOIS DEPARTMENT OF TRANSPORTATION
MISCELLANEOUS DETAILS

BUSINESS DISTRICT IMPROVEMENTS
TOUHY AVE. AND CRAWFORD AVE.
SECTION # 06 - 00048 - 00 - RS

SCALE: N.T.S.
DATE: 11-2-06

DRAWN BY: TEB
DESIGNED BY: SJP
CHECKED BY: JCG