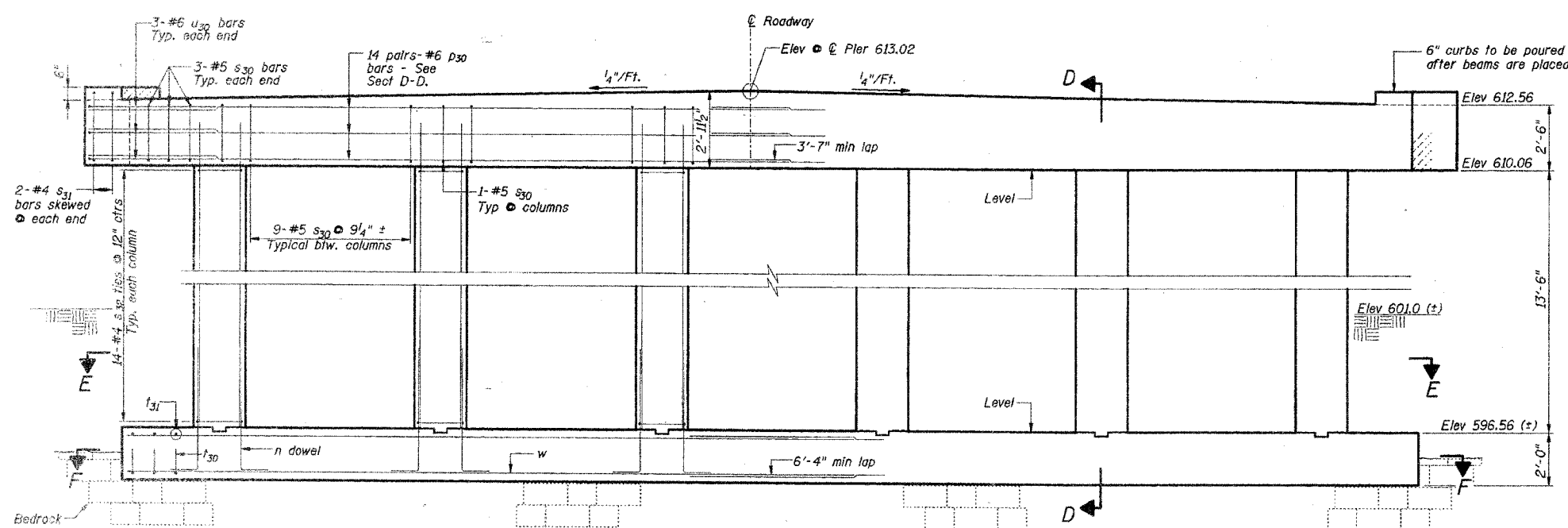
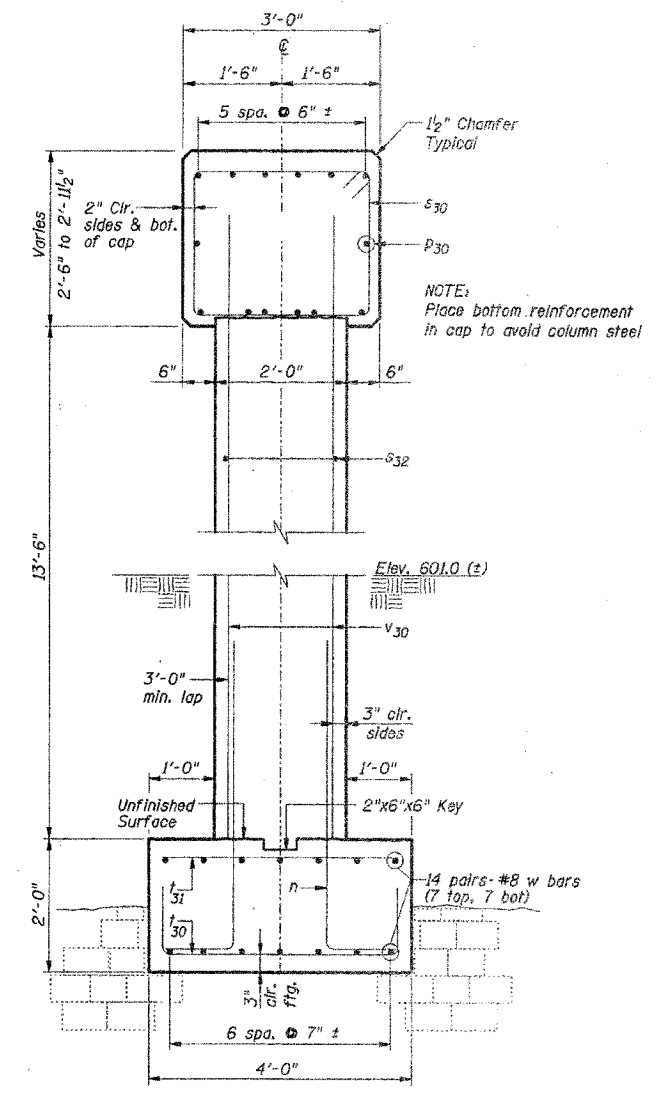


**PLAN**  
(Symmetrical about  $\text{\textcircled{C}}$  Pier)



**ELEVATION**  
Front Projection  
(Symmetrical about  $\text{\textcircled{C}}$  Pier)



**SECTION D-D**  
(Perpendicular to  $\text{\textcircled{C}}$  of Pier)

DSGN	K.J. Hoffmann				
DR	K.J. Hoffmann				
CHK	J.A. Fraenhoffer				
APVD	J.A. Fraenhoffer	NO.	DATE	REVISION	BY

**FRAUENHOFFER**  
Frauenhoffer and Associates, P.C. Consulting Engineers  
3002 Crossing Court Champaign, Il. 61822 217-351-6268

**PIERS (SHEET 1 OF 2)**  
COUNTY HIGHWAY 38  
SECTION 05-00284-00-WR  
KANKAKEE COUNTY

SHEET	52
DWG NO.	3104-PIER.dgn
DATE	JUL 2006
PROJ NO.	3104