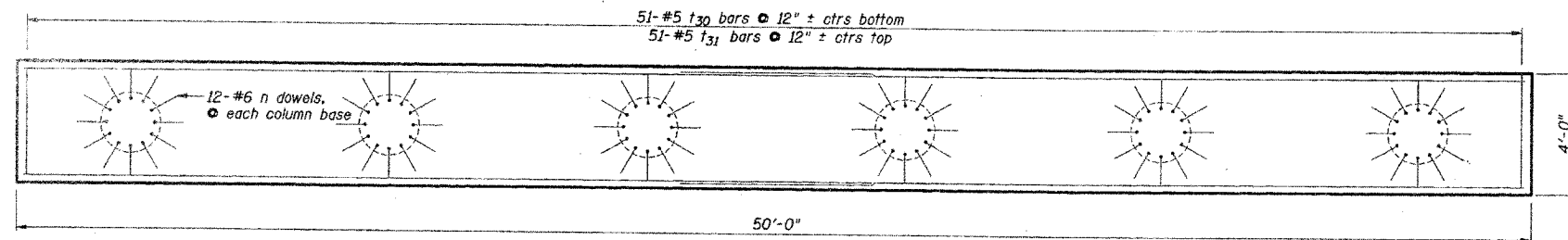
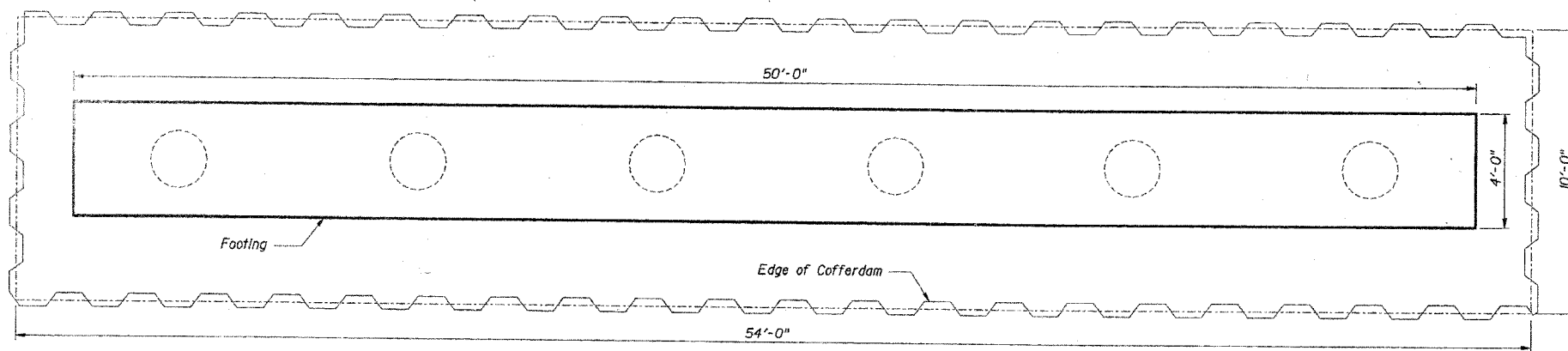


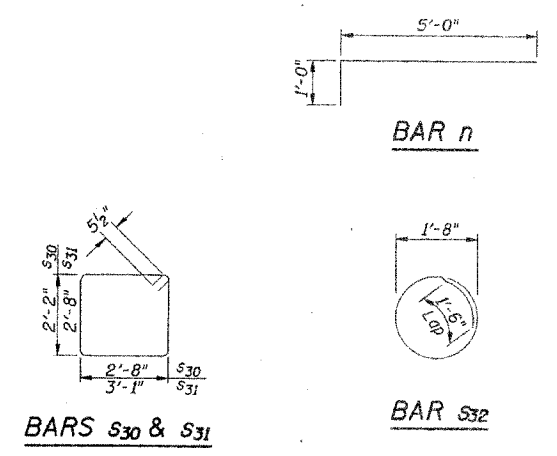
SECTION E-E



SECTION F-F



COFFERDAM PLAN



| Bar | No. | Size | Length | Shape |
|--------------------------|-----|------|----------|--------|
| n | 144 | # 6 | 6'-0" | — |
| p30 | 56 | # 6 | 27'-2" | — |
| s30 | 114 | # 5 | 10'-7" | □ |
| s31 | 8 | # 5 | 12'-5" | □ |
| s32 | 168 | # 4 | 6'-9" | ○ |
| t30 | 102 | # 5 | 5'-6" | — |
| t31 | 102 | # 5 | 3'-6" | — |
| u30 | 12 | # 6 | 12'-10" | ∟ |
| v30 | 144 | # 6 | 15'-0" | — |
| w | 56 | # 8 | 28'-0" | — |
| Concrete Structures | | | Cu. Yds. | 79.8 |
| Reinforcement Bars | | | Lbs. | 14,320 |
| Rock Exc. for Structures | | | Cu. Yds. | 15 |
| Cofferdam Excavation | | | Cu. Yds. | 220 |
| Cofferdams | | | Each | 2 |

| | | | | | |
|------|-------------------|-----|------|----------|----|
| DSGN | K.J. Hoffmann | | | | |
| DR | K.J. Hoffmann | | | | |
| CHK | J.A. Frauenhoffer | | | | |
| APVD | J.A. Frauenhoffer | NO. | DATE | REVISION | BY |

FRAUENHOFFER
Frauenhoffer and Associates, P.C. Consulting Engineers
3002 Crossing Court Champaign, Il. 61822 217-351-6268

PIERS (SHEET 2 OF 2)
COUNTY HIGHWAY 38
SECTION 05-00284-00-WR
KANKAKEE COUNTY

| | |
|----------|---------------|
| SHEET | 53 |
| DWG NO. | 3104-PIER.dwg |
| DATE | JUL 2006 |
| PROJ NO. | 3104 |