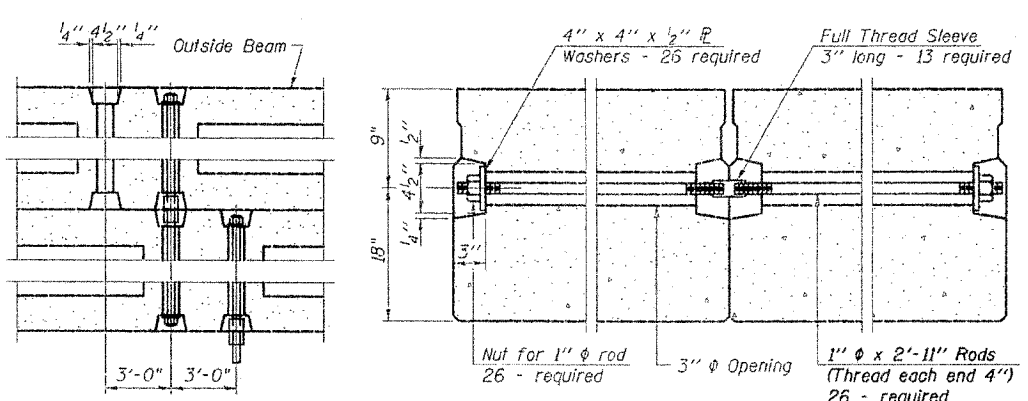
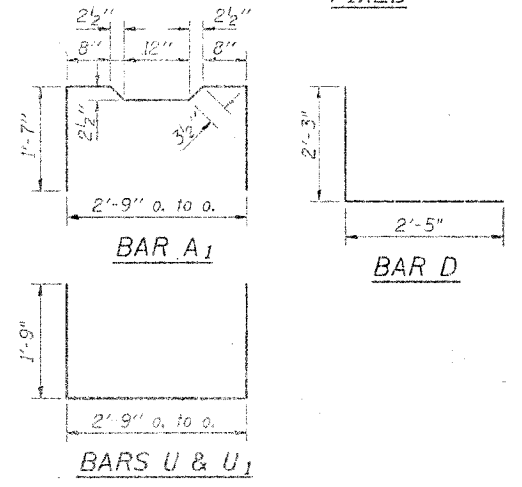
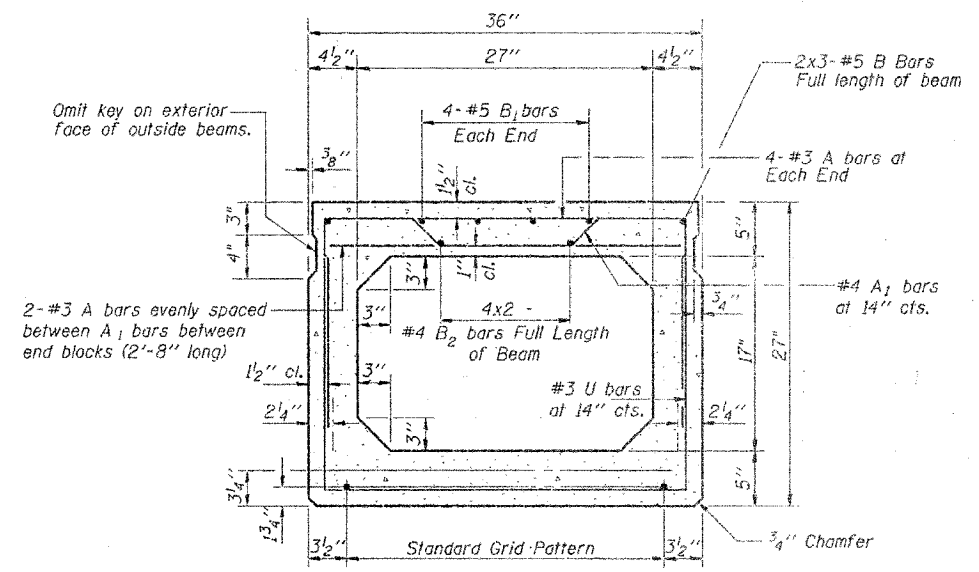


FABRIC BEARING PAD (Interior) FABRIC BEARING PAD (Exterior)

FIXED

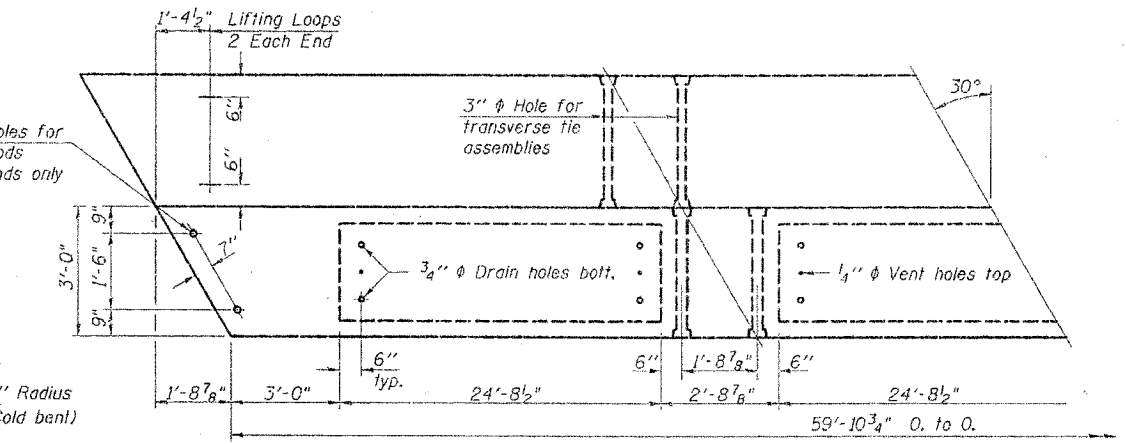


TYPICAL TRANSVERSE TIE ASSEMBLY

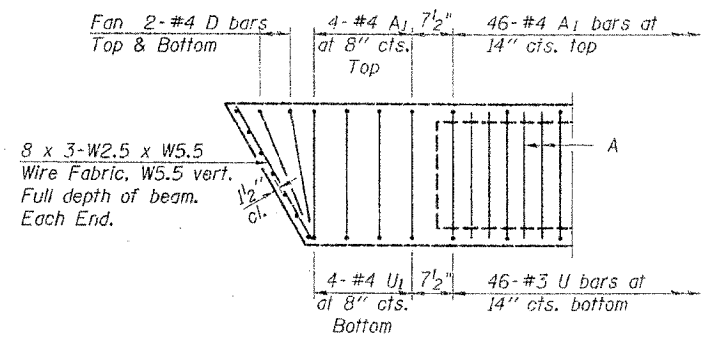


TYPICAL SECTION

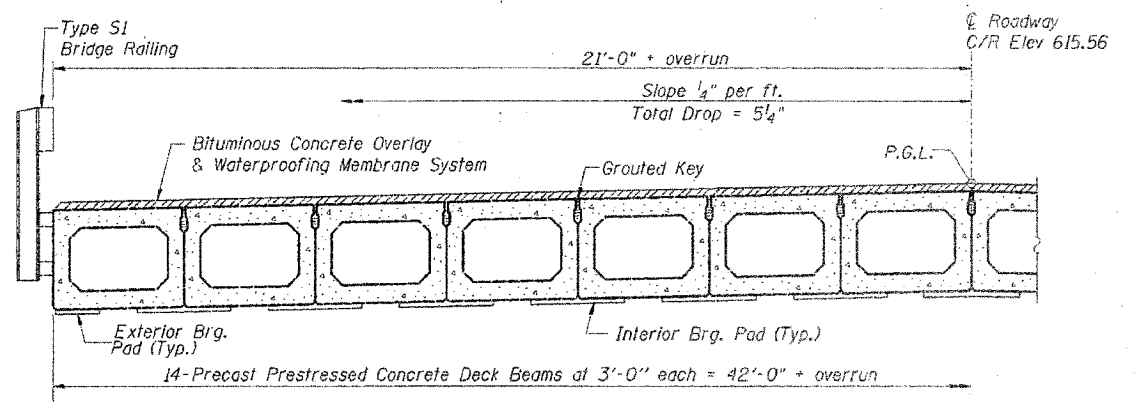
14-1/2" Strands Each Strand Stressed to 30,900 Lbs.
6-Strands 1 3/4" up, 6-Strands 3/4" up, 2-Strands 4 1/2" up
Note: Place strands symmetrically about C of beam.



PLAN



END PLAN



HALF CROSS SECTION

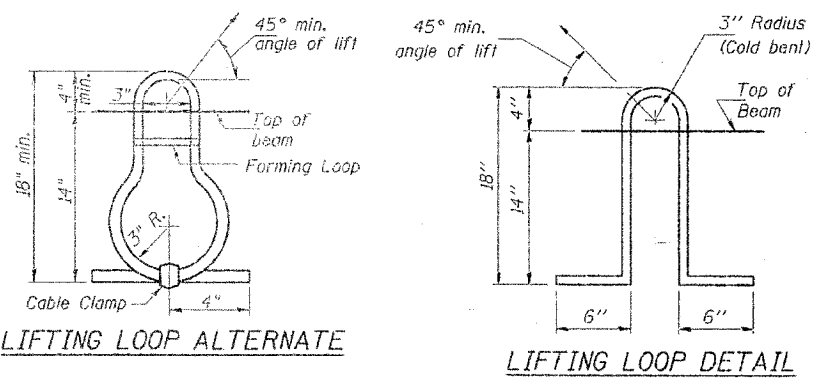
NOTES

Prestressing steel shall be uncoated high strength, low relaxation 7-wire strand, Grade 270. The nominal diameter shall be 1/2" and the nominal cross-sectional area shall be 0.153 sq. in. Lifting loops shall be 3/4" diameter, 6 x 25 class wire rope with fiber core and shall have a minimum ultimate tensile strength of 46,000 lbs. or 3-1/2" 270 ksi strands, as shown. The 1" rods in the transverse tie assembly shall be tightened to a snug fit and the threads set. Pockets that receive transverse tie bar on outside shall be filled with grout after transverse tie assembly is in place. Reinforcement bars shall conform to the requirements of AASHTO M-31, M-42 or M-53 Grade 60. The bearing seat surfaces shall be adjusted by shimming to assure firm and even bearing. Two 1/8" fabric adjusting shims of the dimensions of the Exterior Bearing Pad shall be provided for each bearing. Keyway surfaces shall be cleaned to remove form oil or other bond breaking material prior to shipment of the beams. Cleaning shall be done by sandblasting the keyway areas between top of the beam and the bottom edge of the key. A Corrosion Inhibitor, as covered in the Special Provisions, shall be used in the concrete for precast prestressed concrete deck beams. Required Release Strength, f'ci, shall be 4000 p.s.i.

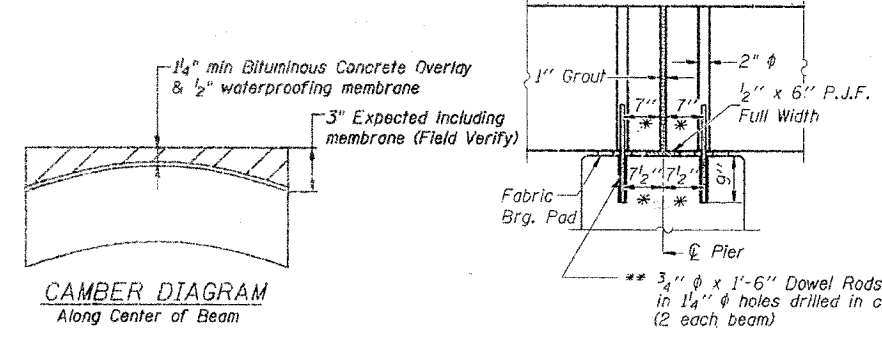
BILL OF MATERIAL

Bar	No.	Size	Length	Shape
A	98	#3	2'-8"	—
Aj	54	#4	6'-1"	—
B	6	#5	21'-8"	—
B1	8	#5	12'-6"	—
B2	8	#4	17'-3"	—
D	8	#4	4'-8"	—
Uj	8	#4	6'-3"	—
U	46	#3	6'-3"	—
Precast Prestressed Conc. Deck Bms.			Sq. Ft.	2516*

* Total Quantity of Beams for one span



LIFTING LOOP DETAIL



CAMBER DIAGRAM Along Center of Beam

SEC. THRU PIER

* Perpendicular to C of Pier
1" Joint shall be packed with a very dry mix of 2:1 sand and P.C. mortar.
1" Dimension may vary plus or minus to accommodate tolerance in beam lengths.

** 3/4" diameter x 1'-6" Dowel Rods in 1 1/4" holes drilled in cap (2 each beam)
** Dowel rods to be grouted after beams are in place and prior to grouting the shear keys

DSGN	K.J. Hoffmann				
DR	K.J. Hoffmann				
CHK	J.A. Fraenhoffer				
APVR	J.A. Fraenhoffer	NO.	DATE	REVISION	BY

FRAUENHOFFER
Frauenhoffer and Associates, P.C. Consulting Engineers
3002 Crossing Court Champaign, IL 61822 217-351-6268