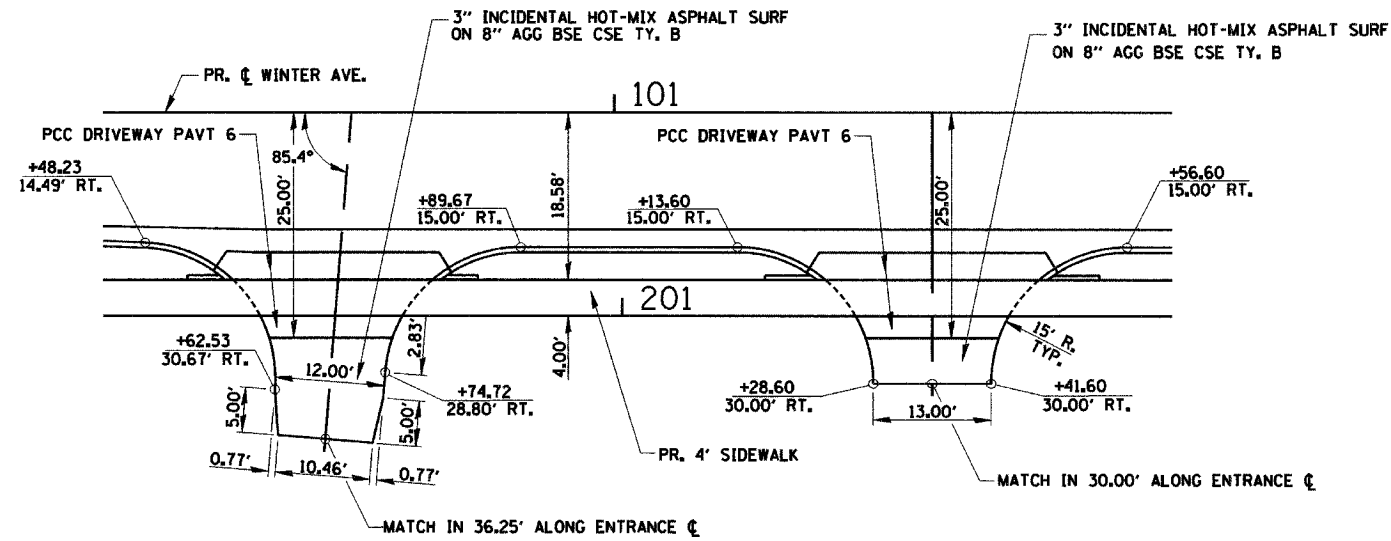
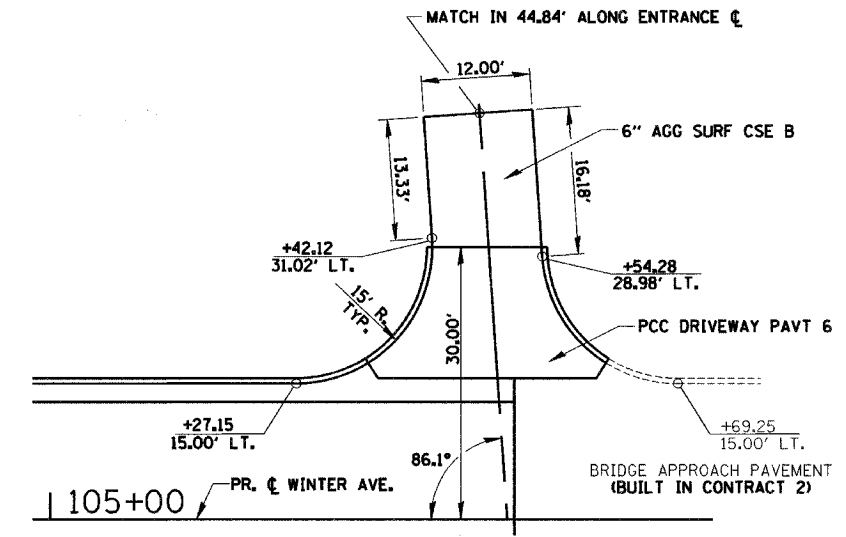


PLAN	SURVEYED	DATE
NO.	BY	
	CHECKED	
	DATE	
	REVISION	
	BY	
	DATE	

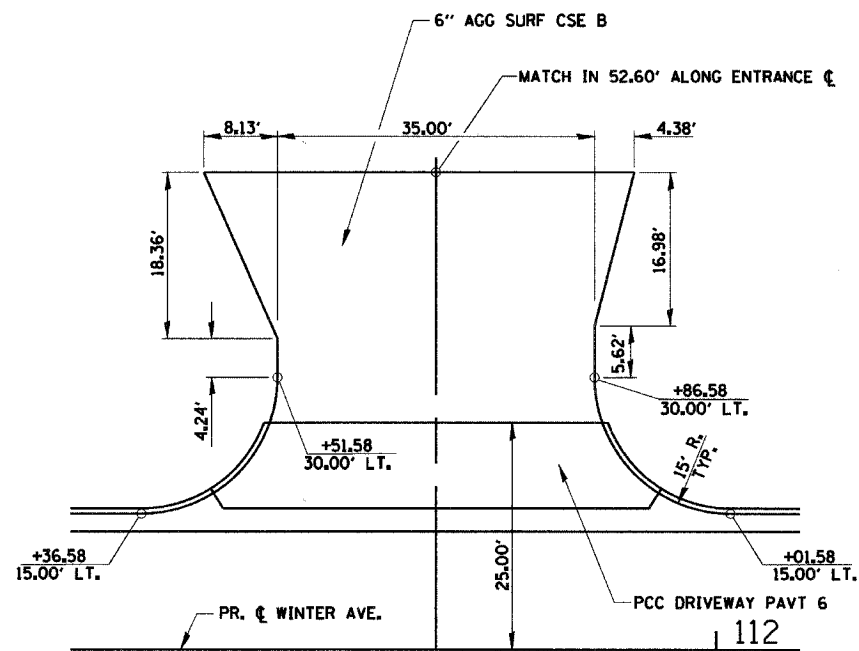


PRIVATE ENTRANCE DETAIL
(P.E.) 100+71.01

PRIVATE ENTRANCE DETAIL
(P.E.) 101+35.10



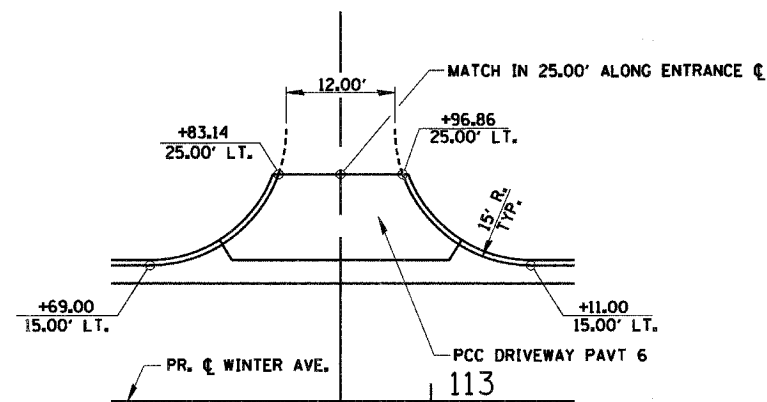
PRIVATE ENTRANCE DETAIL
(P.E.) 105+50.41



COMMERCIAL ENTRANCE DETAIL
(C.E.) 111+69.08

SEE DIST. 5 DETAIL C-1.14

SEE ENTRANCE TYPICAL SECTIONS (SHEET 5 OF 5)



PRIVATE ENTRANCE DETAIL
(P.E.) 112+90.00

REVISIONS	
NAME	DATE

CITY OF DANVILLE, ILLINOIS
WINTER AVENUE RECONSTRUCTION
ENTRANCE DETAILS

SCALE: 1" = 10'
DRAWN BY: TDN
DATE: 12/21/06
CHECKED BY: MBF