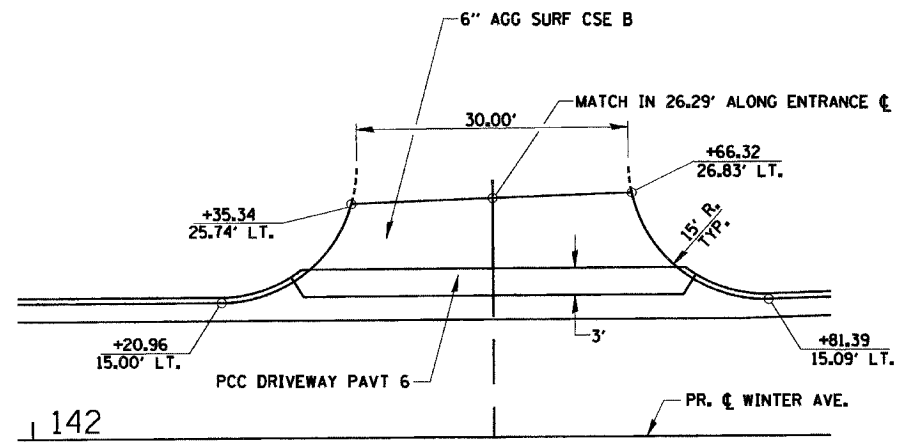
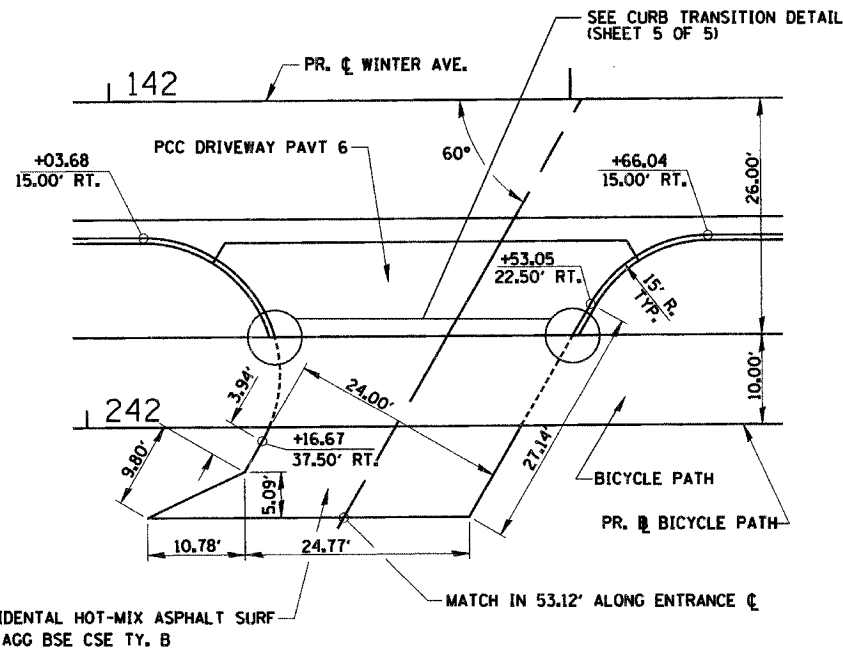


PLAN	SURVEYED	DATE
NOTE BOOK	PLOTTED	BY
NO.	REV. OF WAY CHECKED	
	CAD FILE NAME	

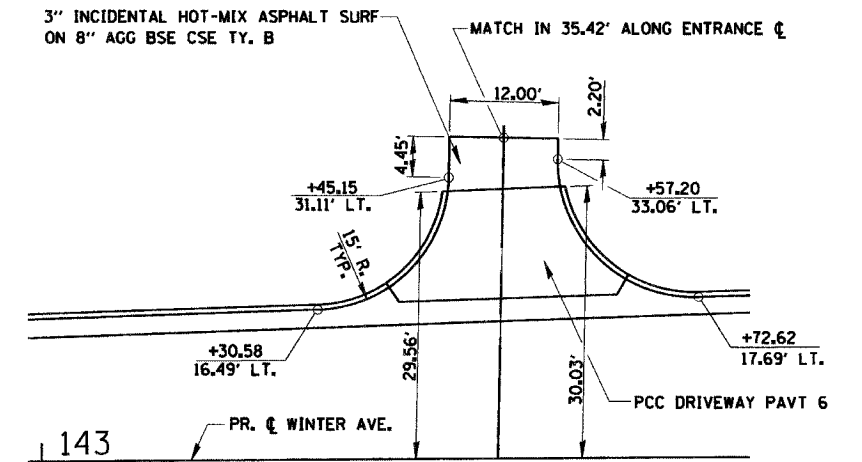


COMMERCIAL ENTRANCE DETAIL
(C.E.) 142+50.96

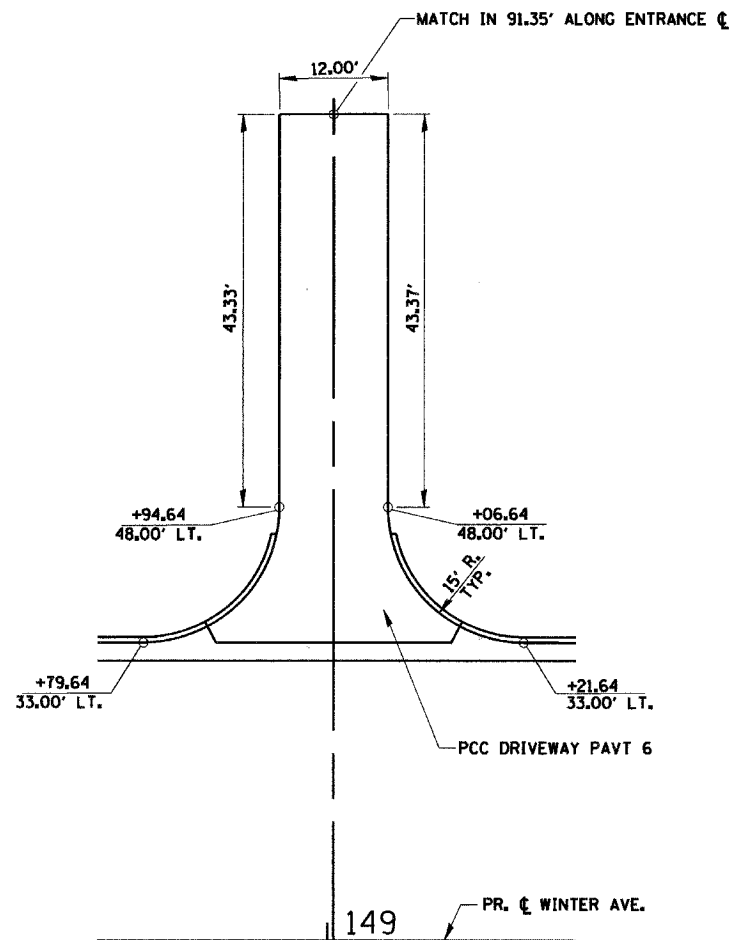


COMMERCIAL ENTRANCE DETAIL
(C.E.) 142+52.18

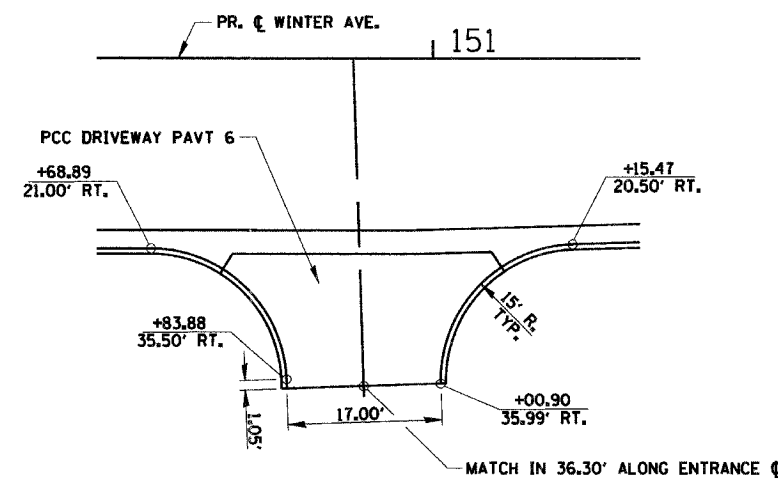
SEE DIST. 5 DETAIL C-1.14
SEE ENTRANCE TYPICAL SECTIONS (SHEET 5 OF 5)



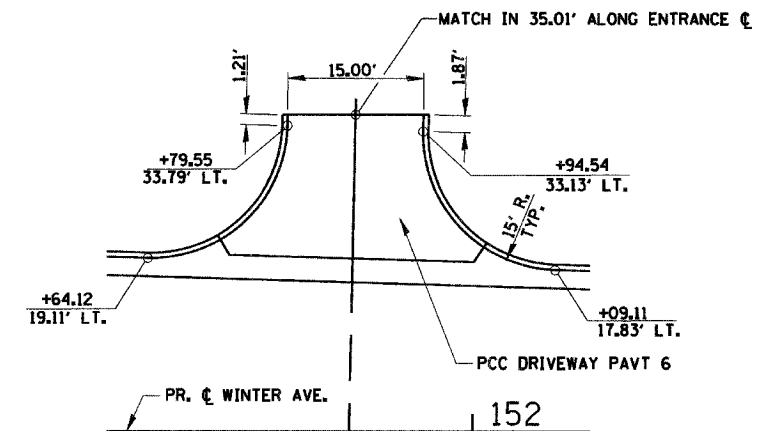
PRIVATE ENTRANCE DETAIL
(P.E.) 143+50.37



PRIVATE ENTRANCE DETAIL
(P.E.) 149+00.64



COMMERCIAL ENTRANCE DETAIL
(C.E.) 150+91.21



PRIVATE ENTRANCE DETAIL
(P.E.) 151+86.35

REVISIONS	
NAME	DATE

CITY OF DANVILLE, ILLINOIS
WINTER AVENUE RECONSTRUCTION
ENTRANCE DETAILS

SCALE: 1" = 10'
DRAWN BY: TDN
DATE: 12/21/06
CHECKED BY: MBF