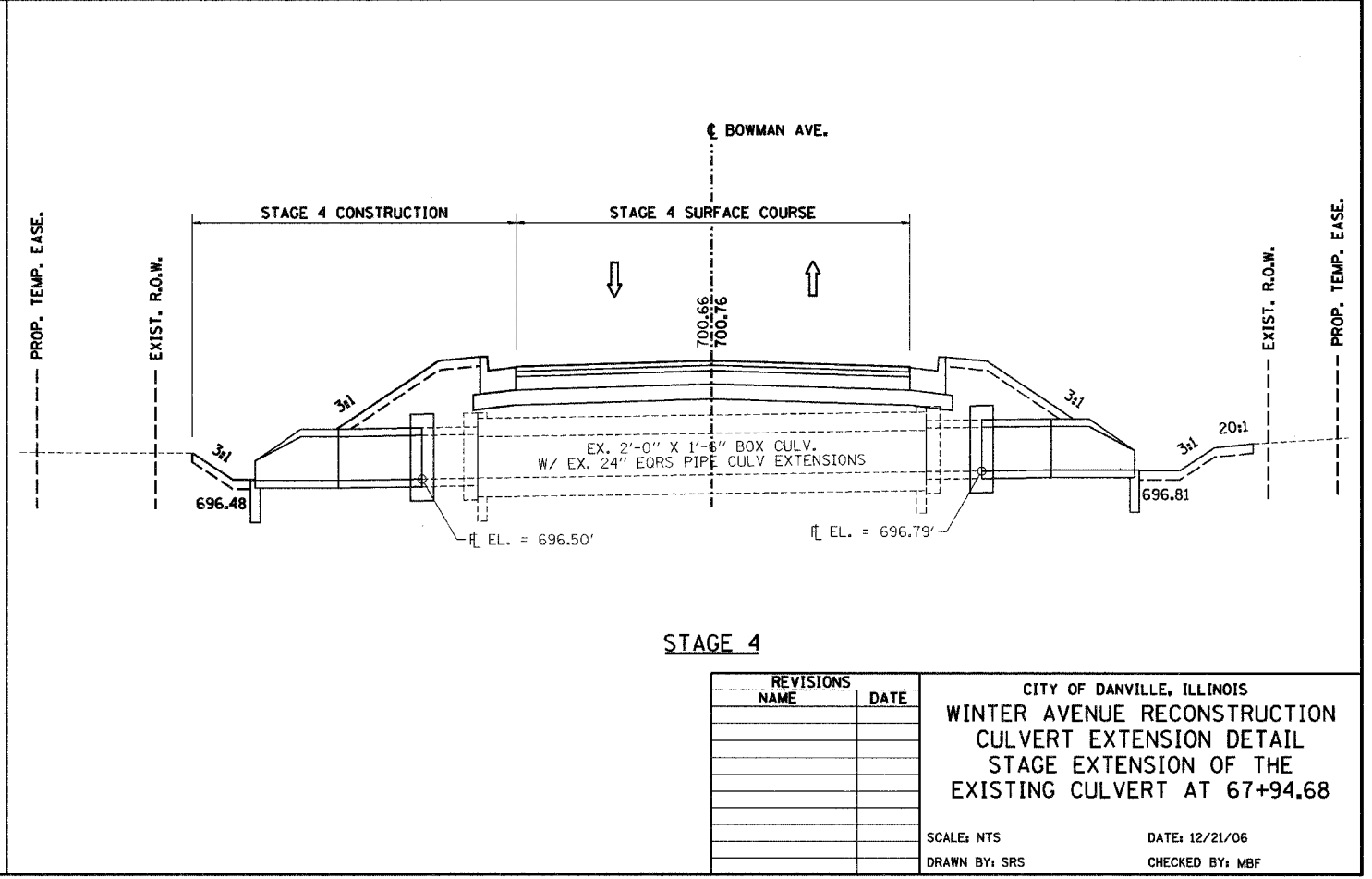
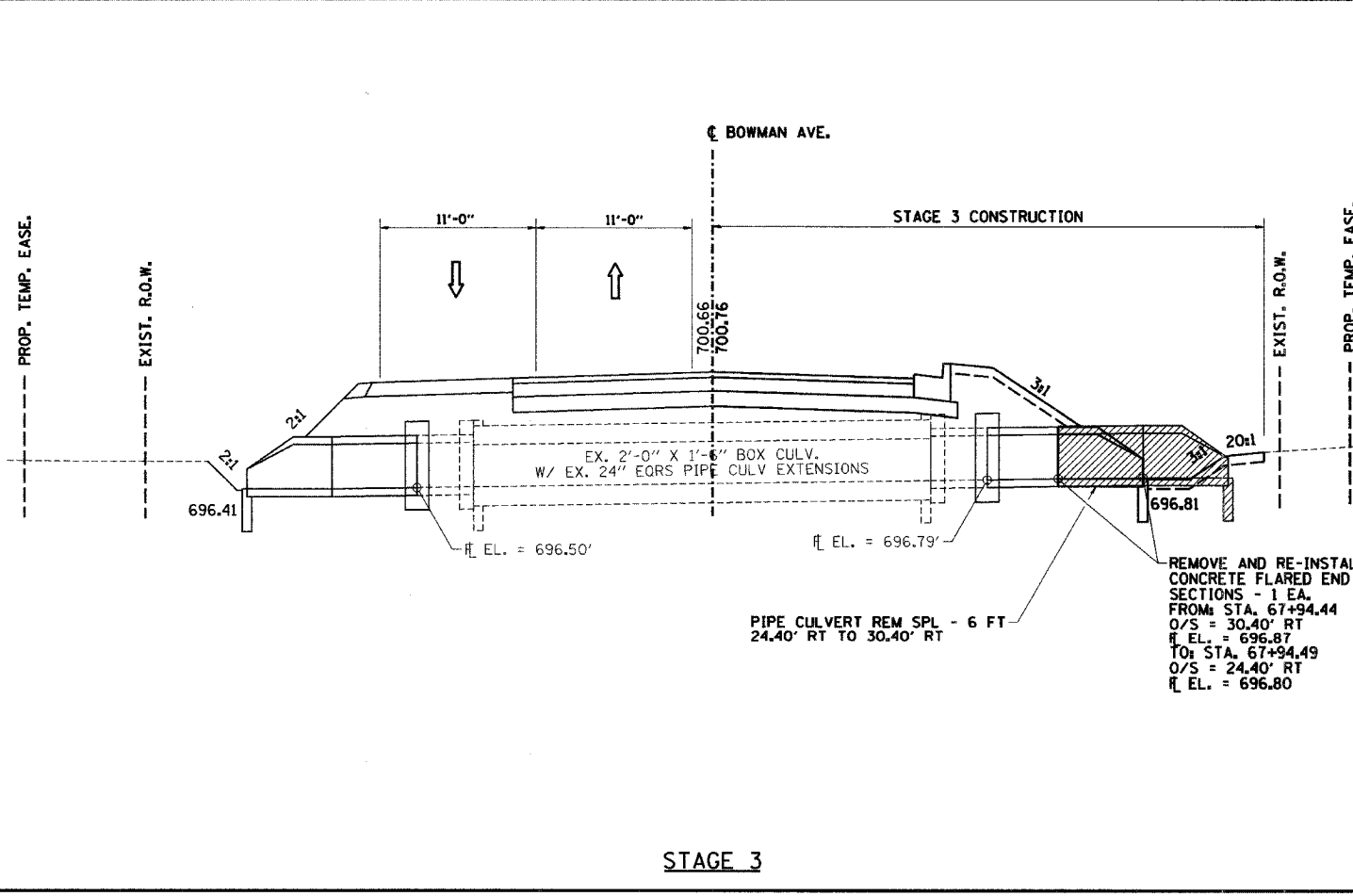
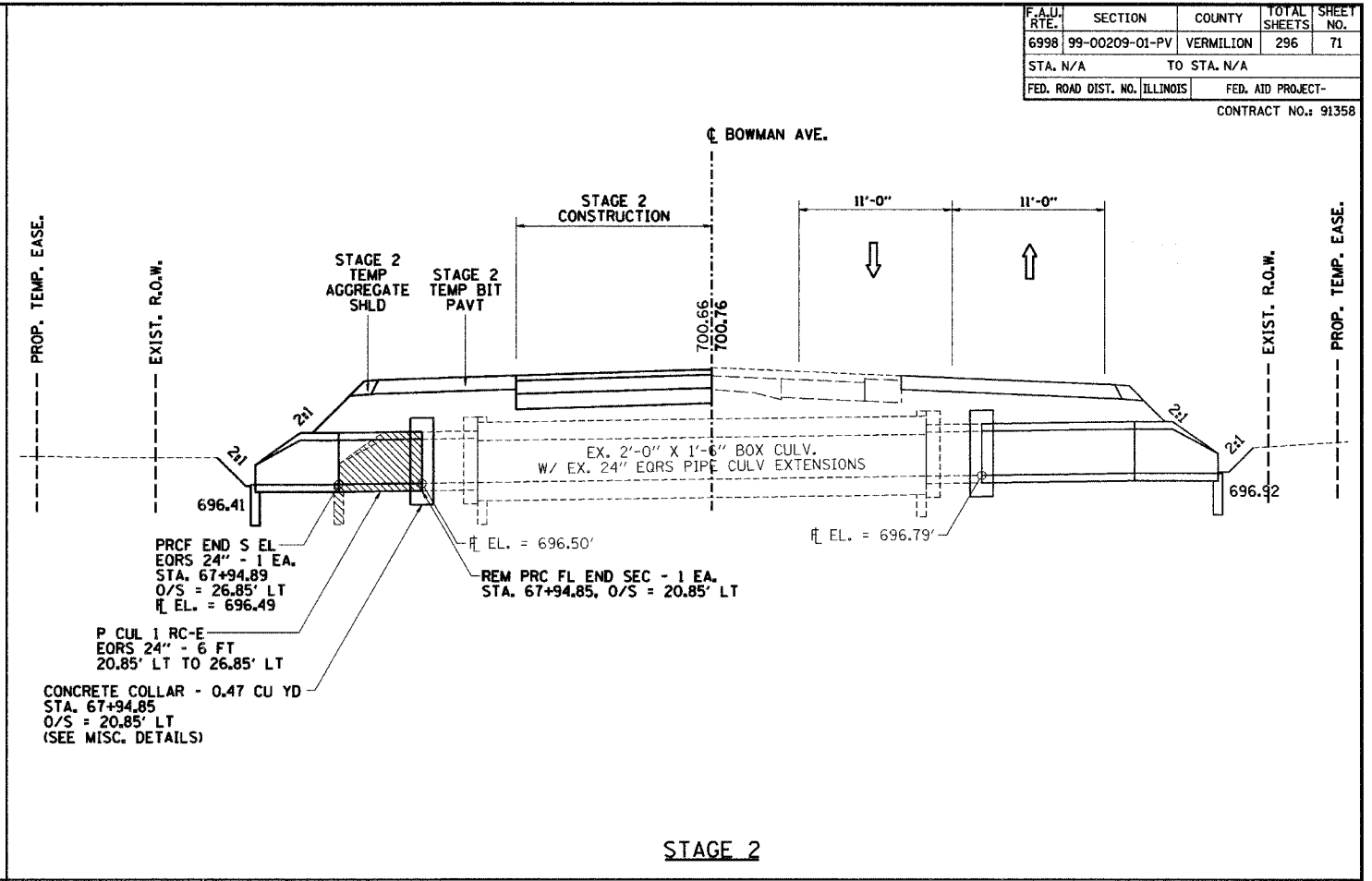
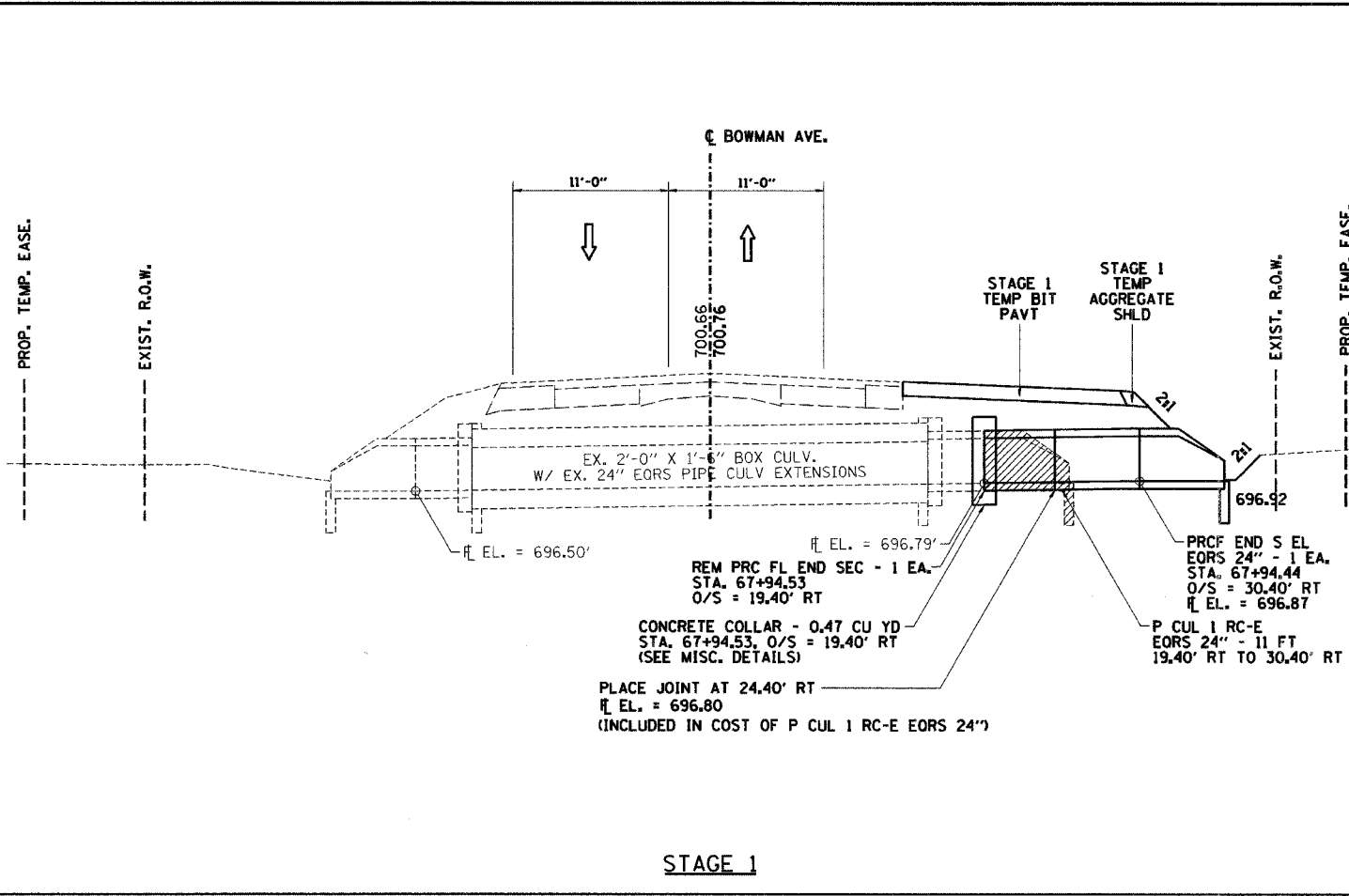


F.A.D. RTE.	SECTION	COUNTY	TOTAL SHEETS	SHEET NO.
6998	99-00209-01-PV	VERMILION	296	71
STA. N/A	TO STA. N/A			
FED. ROAD DIST. NO.	ILLINOIS	FED. AID PROJECT-		
CONTRACT NO.: 91358				

PLAN	DATE
BY	
REVISIONS	
NO.	
DATE	
BY	
REVISIONS	
NO.	
DATE	
BY	



REVISIONS	
NAME	DATE

CITY OF DANVILLE, ILLINOIS  
**WINTER AVENUE RECONSTRUCTION**  
**CULVERT EXTENSION DETAIL**  
**STAGE EXTENSION OF THE**  
**EXISTING CULVERT AT 67+94.68**

SCALE: NTS DATE: 12/21/06  
 DRAWN BY: SRS CHECKED BY: MBF