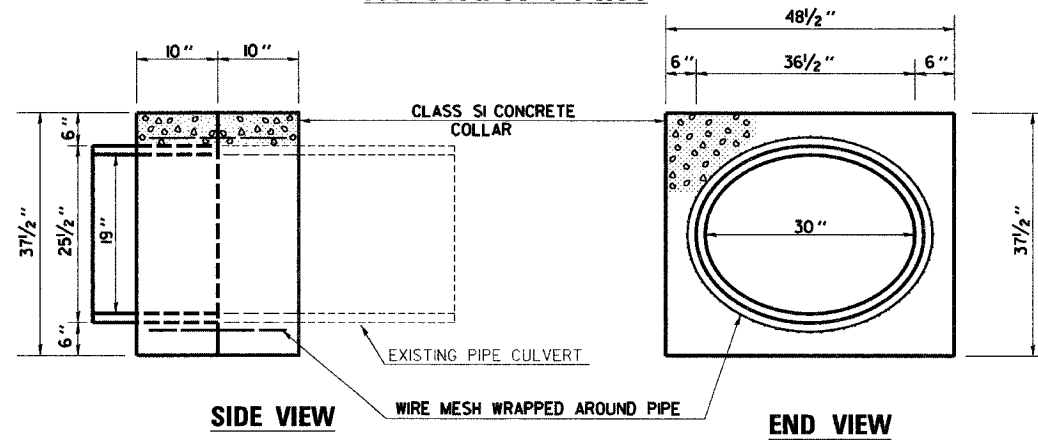


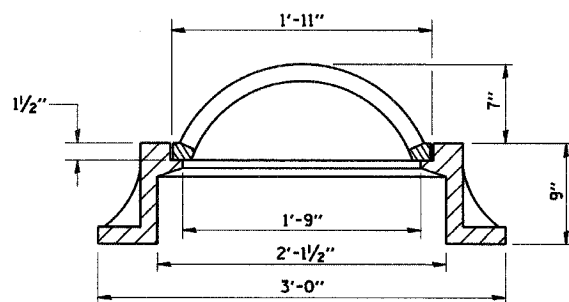
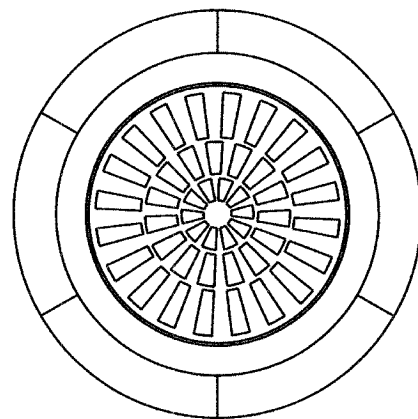
DETAIL OF CONCRETE COLLAR FOR CULVERT EXTENSION AT STA. 67+94.68



| INSIDE SPAN OF PIPE (in) | INSIDE RISE OF PIPE (in) | EQUIVALENT ROUND SIZE (in) | ESTIMATED CLASS SI CONCRETE REQUIRED (20" WIDTH) (cy) |
|--------------------------|--------------------------|----------------------------|---|
| 30 | 19 | 24 | 0.47 |

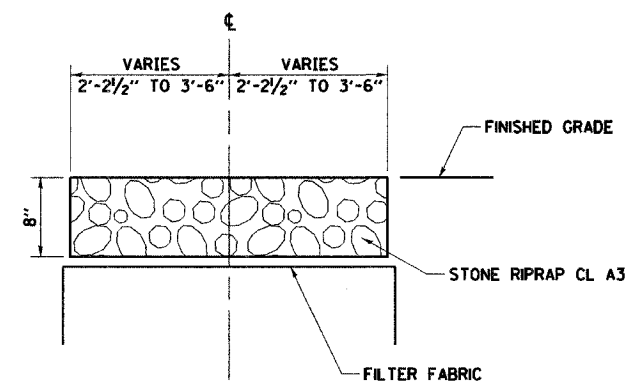
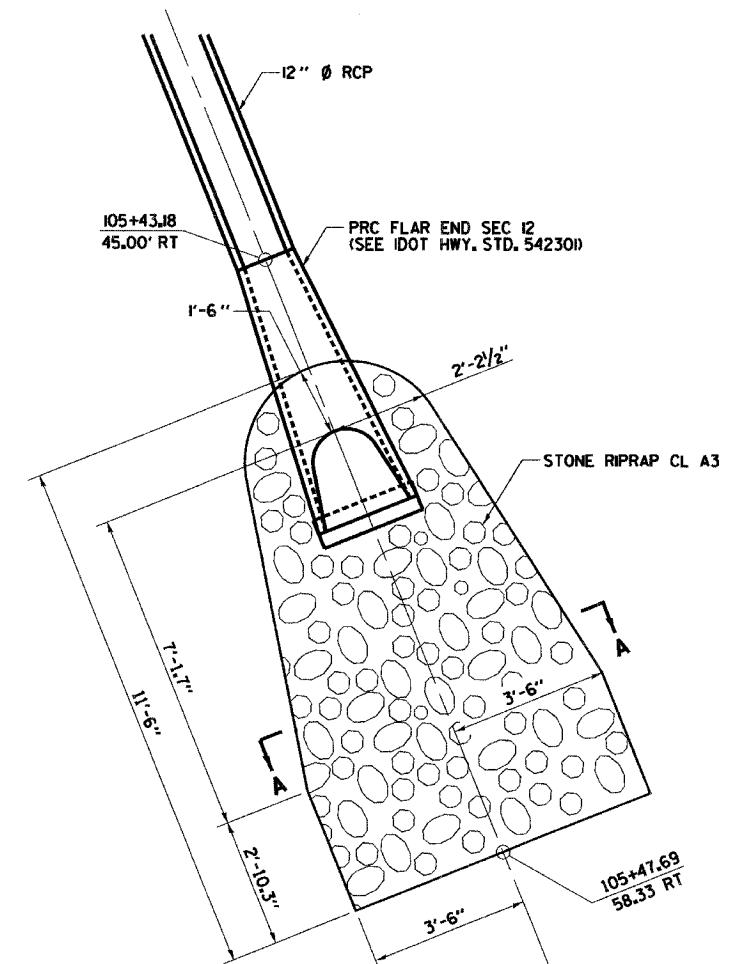
GENERAL NOTES

- CLASS SI CONCRETE SHALL BE USED THROUGHOUT.
- WHEN CONCRETE COLLARS ARE USED TO CONNECT PIPES OF DIFFERENT DIAMETERS, THE CONCRETE COLLAR SHOULD BE FORMED USING THE LARGEST OUTSIDE DIAMETER (SEE END VIEW).
- THE WIRE MESH SHALL WEIGH NOT LESS THAN 2.63 kg/m² (54#/100 SQ. FT.)
- CONCRETE COLLARS WILL BE PAID FOR AT THE CONTRACT UNIT PRICE, PER CUBIC METER (CUBIC YARD), FOR CONCRETE COLLARS INCLUDING ALL MATERIAL AND LABOR SPECIFIED TO COMPLETE THE WORK IN PLACE.



DETAIL OF SPECIAL FRAME AND GRATE
(NEENAH R-2560-E OR EQUIVALENT)

DETAIL OF STORM SEWER OUTLET PROTECTION



SECTION A-A
(THROUGH PAD)

| REVISIONS | NAME | DATE |
|-----------|------|------|
| | | |
| | | |
| | | |
| | | |
| | | |
| | | |
| | | |
| | | |
| | | |
| | | |

CITY OF DANVILLE, ILLINOIS
WINTER AVENUE RECONSTRUCTION
MISCELLANEOUS DETAILS

SCALE: N/A
DRAWN BY: MLS
DATE: 12/21/06
CHECKED BY: MBF

PLAN SURVEYED BY DATE
NOTED BY DATE
CHECKED BY DATE
DRAWN BY DATE
DATE